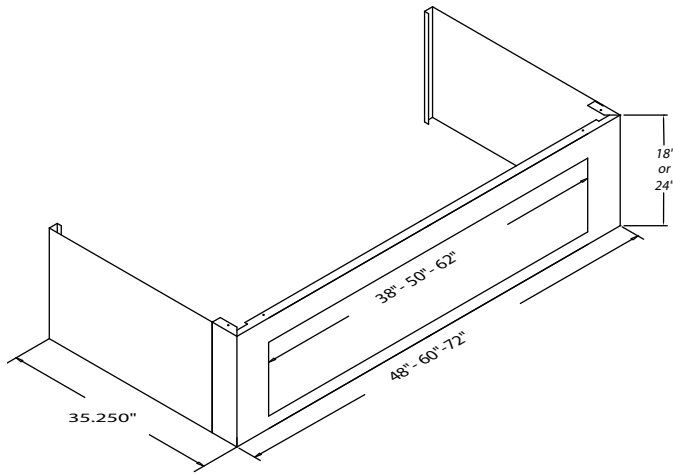


Ceiling Soffit Diagrams

Ceiling Soffit with Hinged Access Panel

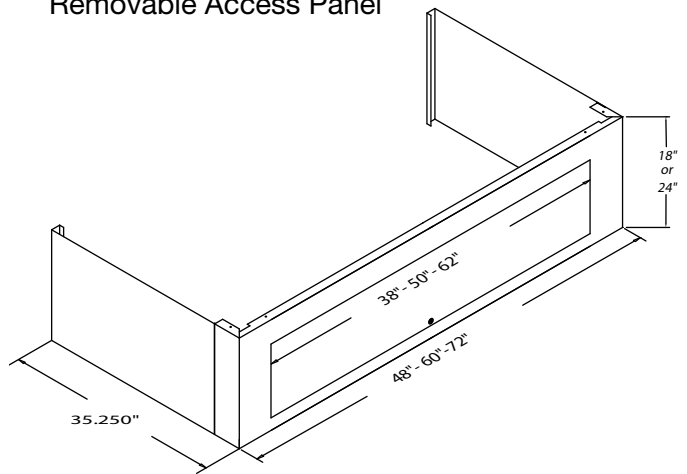


Hinged Access Panel units come with a SouthCo Hex Key Latch and wire pull.

Example: CE048P-HA-18

Hinged Panel Soffit, Painted, 48" width x 18" height

Ceiling Soffit with Removable Access Panel

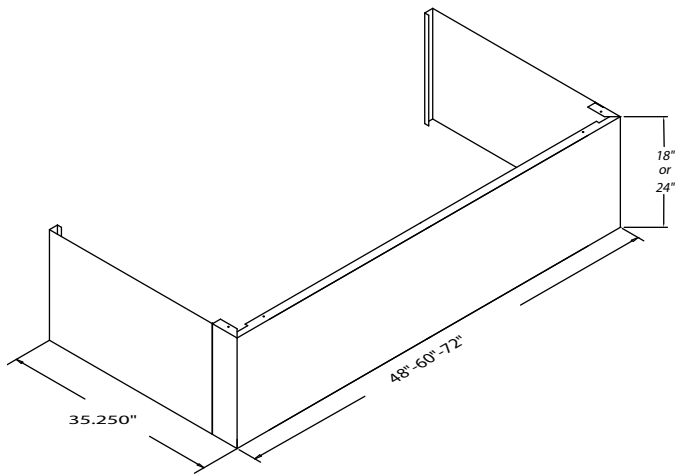


Removable Access Panels are held in place by screws.

Example: CE0120P-RA-24

Removable Panel Soffit, Painted, 120" width x 24" height (Two 60" soffits adjoined)

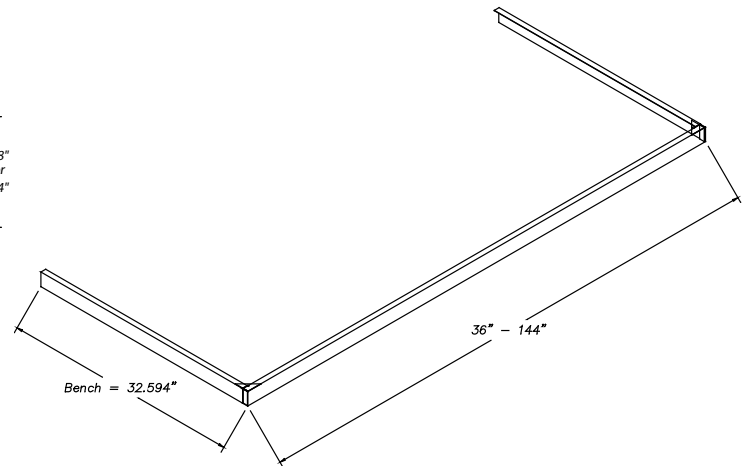
Ceiling Soffit without Access Panel



Example: CE072S-NA-18

No Access Panel Soffit, Stainless Steel, 72" width x 18" height

Ceiling Soffit Trim



Example: CETRIM-P96

Hinged Panel Soffit, Painted, 96" width

*NOTE: For soffits wider than 96" there will be two (2) soffits adjacent of the appropriate size. For example: 144" Fume hood, two (2) 72" soffits adjoined. Please allow clearance height for the soffit so as not to have the ceiling height lower than the hinged point of the access panel to prevent opening.

Fume Hood Accessories – Special Options

Monitor/Alarms

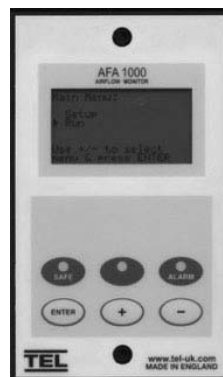
M01-A200	Monitor/Alarm	Velocity	Alnor-200	
M01-A200-L	Monitor/Alarm	Velocity	Alnor-200	Loose
M01-A385	Monitor/Alarm	Velocity	Alnor-385	
M01-A385-L	Monitor/Alarm	Velocity	Alnor-385	Loose
M01-T	Monitor/Alarm	Velocity	Tel 1000	
M01-T-L	Monitor/Alarm	Velocity	Tel 1000	Loose
M01-T-R	Monitor/Alarm	Velocity w/Repeater	Tel 1000	
M01-T500	Monitor/Alarm	Velocity	Tel 500	
M01-T500-L	Monitor/Alarm	Velocity	Tel 500	Loose
M01-T200	Monitor/Alarm	Velocity	Tel 200	
M01-T200-L	Monitor/Alarm	Velocity	Tel 200	Loose
M01-Apex	Monitor/Alarm	Velocity	Apex	
M01-Apex	Monitor/Alarm	Velocity	Apex	Loose
M02	Monitor/Alarm	Vapor Detector	Marine Technology	
M02-L	Monitor/Alarm	Vapor Detector	Marine Technology	Loose



M01-A385



M01-T500



M01-T

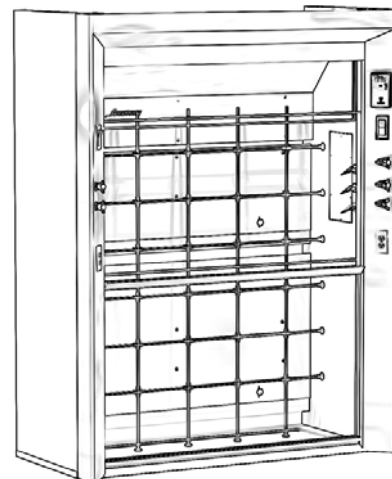
*Note: Alarm must be located on the fascia panel and always above the clear sash opening.

Pressure Gauges

M03-0	Magnehelic Pressure Gauge 0 – 1/2" Wg	Mounted
M03-1	Magnehelic Pressure Gauge 0 – 1" Wg	Mounted
M03-2	Magnehelic Pressure Gauge 0 – 2" Wg	Mounted
M03-3	Magnehelic Pressure Gauge 0 – 3" Wg	Mounted

Distillation Racks

DB-36	36" Distillation Rack	Bench
DB-36T304	36" Distillation Rack	Bench
DB-36T316	36" Distillation Rack	Bench
DB-48	48" Distillation Rack	Bench
DB-48T304	48" Distillation Rack	Bench
DB-48T316	48" Distillation Rack	Bench
DB-60	60" Distillation Rack	Bench
DB-60T304	60" Distillation Rack	Bench
DB-60T316	60" Distillation Rack	Bench
DB-72	72" Distillation Rack	Bench
DB-72T304	72" Distillation Rack	Bench
DB-72T316	72" Distillation Rack	Bench
DB-96	96" Distillation Rack	Bench
DB-96T304	96" Distillation Rack	Bench
DB-96T316	96" Distillation Rack	Bench
DW-48	48" Distillation Rack	Walk-In
DW-60	60" Distillation Rack	Walk-In
DW-72	72" Distillation Rack	Walk-In
DW-96	96" Distillation Rack	Walk-In



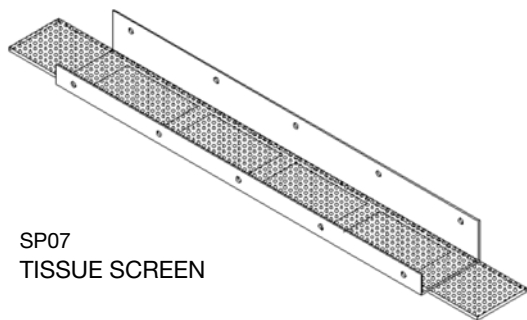
1/2" aluminum rods with connectors.

*Note: The number of horizontal and vertical rods vary between Bench Hoods and Walk-Ins.

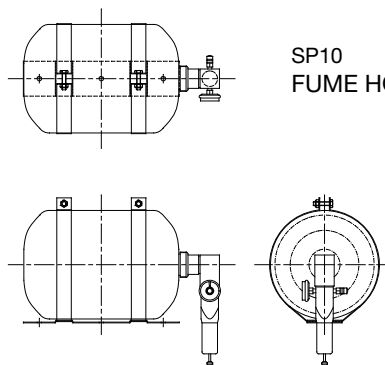
Fume Hood Accessories – Special Options

Special Options

SP01	Gravity Sash Stops (set of 2)		
SP02	Label	Face 100 CFM	
SP03	Label	Face Velocity	
SP04-2	Steam Bath	2 Rings, 5" dia.	
SP04-4	Steam Bath	4 Rings, 4" dia.	
SP04-6	Steam Bath	6 Rings, 5" dia.	
SP04-7	Steam Bath	7 Rings, 5" dia.	
SP04-8	Steam Bath	8 Rings, 5" dia.	
SP05	Fume Hood Fire Extinguisher	Activated Fusible Link	w/ Cable Activated Emergency Shut-off
SP06	Label	Logo etched in glass viewpass panel	
SP07	Tissue Screen	304 Stainless Steel	
SP08	Label	Sash Stop Decal	
SP09	Label	Radiation	
SP10	Fume Hood Fire Extinguisher	with Self Contained Fusible Link	
SP11	Label	Fume Hood Operation Decal	
SP12	Label	Face	Purchased Part Specification
SP13	Label	Face	Set Up Condition, LH
SP13-R	Label	Face	Set Up Condition, RH



SP07
TISSUE SCREEN



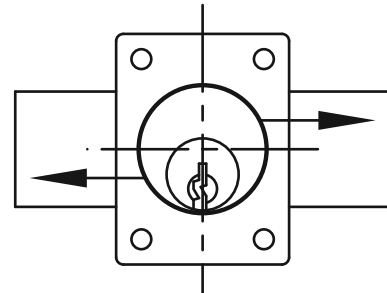
SP10
FUME HOOD FIRE EXTINGUISHER

Special Options

SP14	Label	Face	Disability
SP15	Label	Industrial Water – Do Not Drink	
SP16	Dilution Tank	Undercounter	6 Gallon
SP17	Trap	All Way	Adjustable Riser
SP18	Trap	Bottle	Adjustable Riser
SP19	Micro Switch	Sash Detector	
SP20	Lockable Sash Unit		



SP19
MICRO SWITCH (SASH DETECTOR)



SP20
LOCKABLE SASH UNIT

SP21-36	SS, Fume Hood Shelf, 36" W	12" Deep	Bracket and Unistrut Sold Separately
SP21-48	SS, Fume Hood Shelf, 48" W	12" Deep	Bracket and Unistrut Sold Separately
SP21-60	SS, Fume Hood Shelf, 60" W	12" Deep	Bracket and Unistrut Sold Separately
SP21-72	SS, Fume Hood Shelf, 72" W	12" Deep	Bracket and Unistrut Sold Separately
SP21-96	SS, Fume Hood Shelf, 96" W	12" Deep	Bracket and Unistrut Sold Separately

Fume Hood Accessories – Special Options

Special Options

SP26	Polyglass Liner Cleaner	
SP27	Stainless Steel Cleaner	
SP28	Bacterial Disinfectant Cleaner	
SP29	Absolute Filter Housing	
SP30	Label	Remote Control Baffle
SP31	Label	Baffle Slot Size
SP32	Factory Installed TSI-8610	Supplied by Customer
SP37	Air Flow Monitor with High Limit Switch	
SP38	Automatic Sash Return	
SP40	Automatic Sash Open/Close, Single Speed	
SP41	Phoenix, Monitor, FHM-410	
SP42	Phoenix, Potentiometer, VSS-110	
SP43	Mount and Prewire Phoenix Alarm	
SP45	Automatic Sash Open/Close, Dual Speed	
SP45-96-2	Automatic Sash, Dual Postless, 96"	
SP46-PI	Cord Pass-Thru, Whiteplastic, 2"	
SP47	Dual Function Switch	
SP48	Phoenix, Monitor, FHM630	
SP50	Push Button, Open Only, For Smart Sash	
SP51	Phoenix, Motion Sensor, Zps210	
SP52	Phoenix, Dual Sash Pots, Vss-120	
SP53	Mounting Of Phoenix Vss110 To Fume Hood	
SP60	Smart Sash	
SP61	Smart Sash--Retrofit	
SP61-96	Smart-Sash Field Retrofit Non Jmp	
SP62-96	Smart-Sash Field Retrofit Comp Hood-96"	
SP70	Smart-Sash W/O Ir Sensor	
SP71	Smart-Sash Phase 5	
SP71-96	Smart-Sash Oem For 96" Hood	
SP72	Smart-Sash Phase 5 Field Retrofit Kit	
SP72-60	Smart-Sash Field Retrofit Jmp Hoods-60"	

Special Options continued

SP73	Alarm Ring Back - 5 Minutes, Tel Option
SP74	Smart Sash,Phase 5,Gsk Specific
SP75	Smart-Sash Phase 5 W/Ir Sensor
SP75-96	Smart-Sash Phase 5 For 96" Hoods
SP76	Smart-Sash W/Ir Sensor And Light Curtain
SP77	Sash Open Warning System
SP78	Sash Open Alarm W/Ir Sensor
SP79	Tel500 W/Sash Alarm
SP80-48	Polycarb Safety Shield, 48"
SP80-60	Polycarb Safety Shield, 60"
SP80-72	Polycarb Safety Shields,72"
SP80-72G5	Assembly-Safety Shield 72G5
SP80-96	Polycarb Safety Shields,96"
SP80-96G5	Assembly-Safety Shield 96G5
SP81-72G5	Polycarb Safety Shield,72" G5 Hood
SP81-96G5	Polycarb Safety Shield,96" G5 Hood

Knock-Down Options (KD)

1-KD36	36" Fume Hood	Shipped Knock-Down (KD)
1-KD48	48" Fume Hood	Shipped Knock-Down (KD)
1-KD60	60" Fume Hood	Shipped Knock-Down (KD)
1-KD72	72" Fume Hood	Shipped Knock-Down (KD)
1-KD96	96" Fume Hood	Shipped Knock-Down (KD)
1-KD120	120" Fume Hood	Shipped Knock-Down (KD)
1-KD144	144" Fume Hood	Shipped Knock-Down (KD)

Fume Hood Testing

OTH-0001	ASHRAE Test at Factory	Per Hood
OTH-0002	ASHRAE Test at Job Site	Call for Quote

Fume Hood Accessories – Modifications

Modifications

MOD-0001	Modification	Hole Positions (per fascia)
MOD-0003	Modification	Removable Gasketed Interior
MOD-0004	Modification	VAV Sash Positioning
MOD-0005	Modification	Remote Control Baffle
MOD-0006	Modification	Single Point ADJ. Baffle
MOD-0007	Modification	Non-Metal Hardware in Hood
MOD-0008	Modification	Flanged Duct Transition
MOD-0009	Modification	Square Duct Collar
MOD-0010	Modification	Painted Stainless Lower Air Foil
MOD-0011-4	Modification	4 ft. ADA Stainless Trough
MOD-0011-5	Modification	5 ft. ADA Stainless Trough
MOD-0011-6	Modification	6 ft. ADA Stainless Trough
MOD-0011-8	Modification	8 ft. ADA Stainless Trough
MOD-0012	4" x 6" Plastic Card Holder	
MOD-0013	EW Fiberglass Uni-strut 42" Long	
MOD-0015I	Cylinder Strap Support	Interior
MOD-0015E	Cylinder Strap Support	Exterior
MOD-0016	Stainless Steel Uni-strut P1000	
MOD-0020	Mod, 48" Bench Finished Hood Back, Painted	
MOD-0021	Mod, 60" Bench Finished Hood Back, Painted	
MOD-0022	Mod, 72" Bench Finished Hood Back, Painted	
MOD-0023	Mod, 96" Bench Finished Hood Back, Painted	
MOD-0024	Mod, 120" Bench Finished Hood Back, Painted	
MOD-0025	Mod, 144" Bench Finished Hood Back, Painted	
MOD-0026	Mod, 48" Walk-In Finished Hood Back, Painted	
MOD-0027	Mod, 60" Walk-In Finished Hood Back, Painted	
MOD-0028	Mod, 72" Walk-In Finished Hood Back, Painted	
MOD-0029	Mod, 96" Walk-In Finished Hood Back, Painted	

Modifications

MOD-0030	Mod, 120" Walk-In Finished Hood Back, Painted
MOD-0031	Mod, 144" Walk-In Finished Hood Back, Painted
MOD-0032	Mod, 48" OS Hgt. Finished Hood Back, Painted
MOD-0033	Mod, 60" OS Hgt. Finished Hood Back, Painted
MOD-0034	Mod, 72" OS Hgt. Finished Hood Back, Painted
MOD-0035	Mod, 96" OS Hgt. Finished Hood Back, Painted
MOD-0036	Seismic brackets, Pair, 14 Gauge, Galvanized, Shipped Loose
MOD-0037	Ceiling Soffit Sides, For 900 and 901 Series FH, 24" Hlgh
MOD-0038	Pre-Mounted Fixtures and Outlets