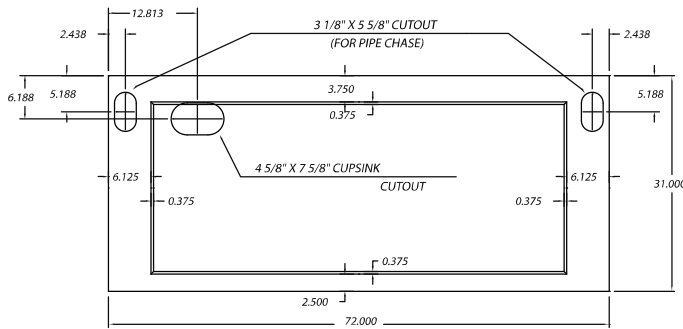


Worktop Diagrams

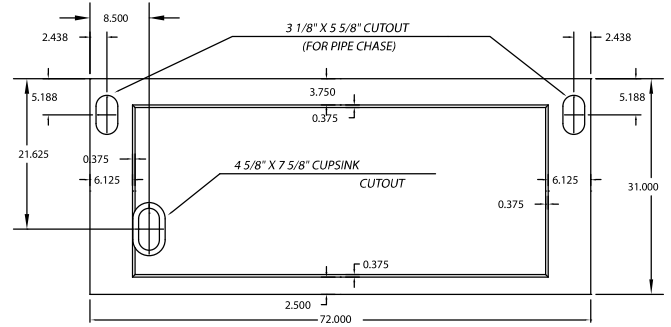
Bench worktops feature 1/2" dished work area, 31" depth and 1 1/4" edge thickness. Extra deep depths of 37" are available. Cutouts are sized for 3"x 6" cupsinks. Specify if larger cupsink is required.

*Note: Cutout and cupsink prices are included with worktop purchase.

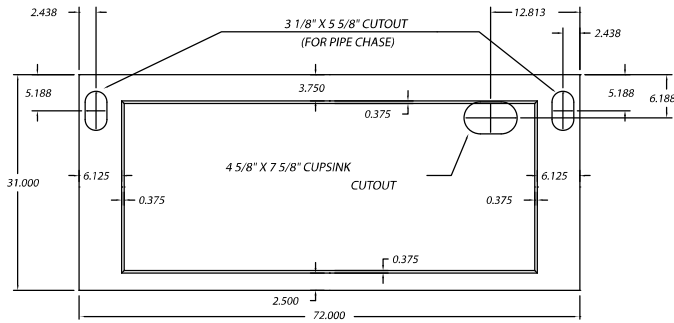
Worktop with left rear cutout



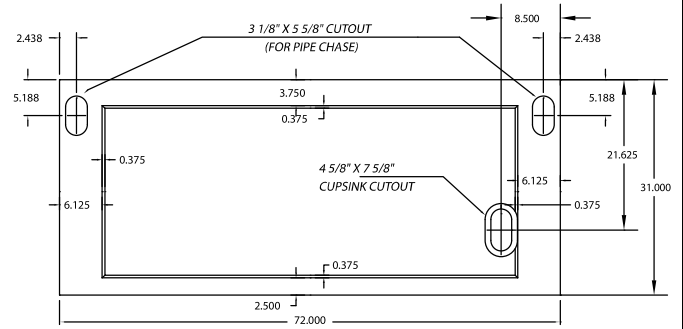
ADA Worktop with left front cutout



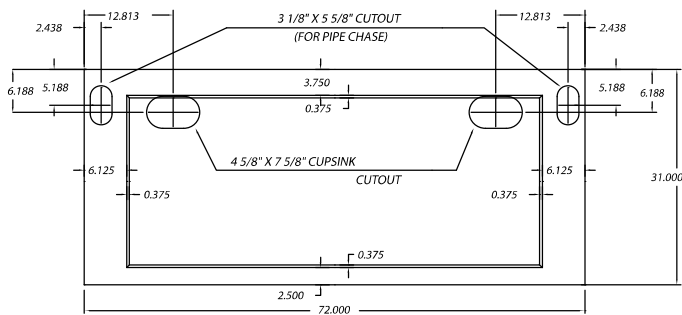
Worktop with right rear cutout



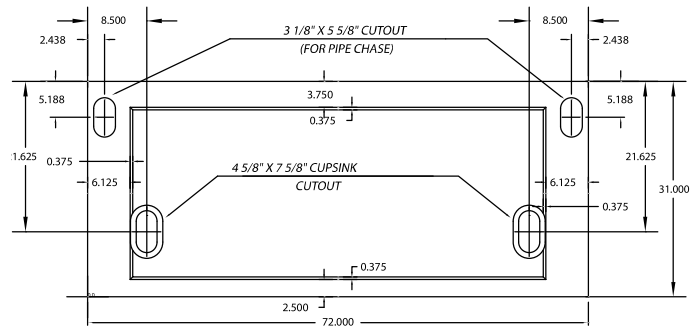
ADA Worktop with right front cutout



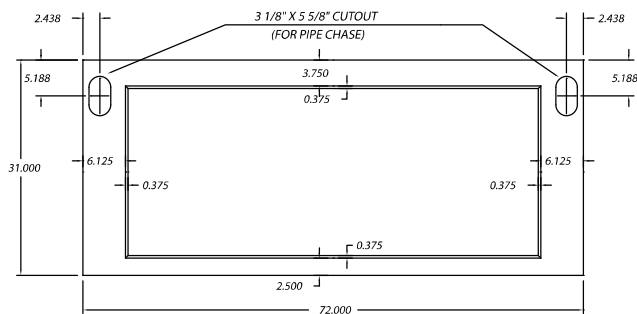
Worktop with both rear cutout



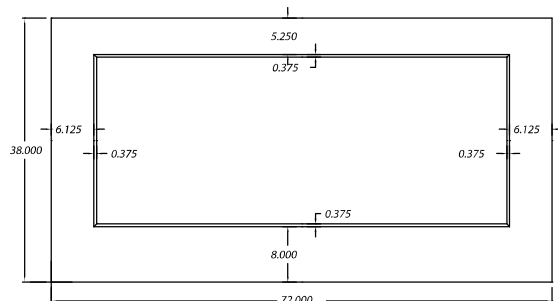
ADA Worktop with both front cutout



Worktop with no cutout



Walk-In Floor



Walk-In floors feature 1/2" dished work area, 38" depth and 1 1/4" edge thickness. Extra deep floors with a 44" depth are available. Designed to slide into the walk-In hood interior.

Fume Hood Accessories – Worktops

Workfloor – Walk-In Hoods

WI-48-B	48" Epoxy Floor	Black
WI-48-S	48" Stainless Steel Floor	304 Stainless Steel
WI-60-B	60" Epoxy Floor	Black
WI-60-S	60" Stainless Steel Floor	304 Stainless Steel
WI-72-B	72" Epoxy Floor	Black
WI-72-S	72" Stainless Steel Floor	304 Stainless Steel
WI-96-B	96" Epoxy Floor	Black
WI-96-S	96" Stainless Steel Floor	304 Stainless Steel
WI-120-B	120" Epoxy Floor	Black
WI-120-S	120" Stainless Steel Floor	304 Stainless Steel
WI-144-B	144" Epoxy Floor	Black
WI-144-S	144" Stainless Steel Floor	304 Stainless Steel

Worktop – Without Cupsink

WN-36-B	36" Epoxy Top	No Cutout	Black
WN-36-S	36" Stainless Steel Top	No Cutout	304 Stainless Steel
WN-48-B	48" Epoxy Top	No Cutout	Black
WN-48-S	48" Stainless Steel Top	No Cutout	304 Stainless Steel
WN-60-B	60" Epoxy Top	No Cutout	Black
WN-60-S	60" Stainless Steel Top	No Cutout	304 Stainless Steel
WN-72-B	72" Epoxy Top	No Cutout	Black
WN-72-S	72" Stainless Steel Top	No Cutout	304 Stainless Steel
WN-96-B	96" Epoxy Top	No Cutout	Black
WN-96-S	96" Stainless Steel Top	No Cutout	304 Stainless Steel
WN-120-B	120" Epoxy Top	No Cutout	Black
WN-120-S	120" Stainless Steel Top	No Cutout	304 Stainless Steel
WN-144-B	144" Epoxy Top	No Cutout	Black
WN-144-S	144" Stainless Steel Top	No Cutout	304 Stainless Steel

Worktop – With Left Rear Cupsink

WL-36-B	36" Epoxy Top	Left Rear Cutout	Black
WL-36-S	36" Stainless Steel Top	Left Rear Cutout	304 Stainless Steel
WL-48-B	48" Epoxy Top	Left Rear Cutout	Black
WL-48-S	48" Stainless Steel Top	Left Rear Cutout	304 Stainless Steel
WL-60-B	60" Epoxy Top	Left Rear Cutout	Black
WL-60-S	60" Stainless Steel Top	Left Rear Cutout	304 Stainless Steel
WL-72-B	72" Epoxy Top	Left Rear Cutout	Black
WL-72-S	72" Stainless Steel Top	Left Rear Cutout	304 Stainless Steel
WL-96-B	96" Epoxy Top	Left Rear Cutout	Black
WL-96-S	96" Stainless Steel Top	Left Rear Cutout	304 Stainless Steel
WL-120-B	120" Epoxy Top	Left Rear Cutout	Black
WL-120-S	120" Stainless Steel Top	Left Rear Cutout	304 Stainless Steel
WL-144-B	144" Epoxy Top	Left Rear Cutout	Black
WL-144-S	144" Stainless Steel Top	Left Rear Cutout	304 Stainless Steel

Worktop – With Right Rear Cupsink

WR-36-B	36" Epoxy Top	Right Rear Cutout	Black
WR-36-S	36" Stainless Steel Top	Right Rear Cutout	304 Stainless Steel
WR-48-B	48" Epoxy Top	Right Rear Cutout	Black
WR-48-S	48" Stainless Steel Top	Right Rear Cutout	304 Stainless Steel
WR-60-B	60" Epoxy Top	Right Rear Cutout	Black
WR-60-S	60" Stainless Steel Top	Right Rear Cutout	304 Stainless Steel
WR-72-B	72" Epoxy Top	Right Rear Cutout	Black
WR-72-S	72" Stainless Steel Top	Right Rear Cutout	304 Stainless Steel
WR-96-B	96" Epoxy Top	Right Rear Cutout	Black
WR-96-S	96" Stainless Steel Top	Right Rear Cutout	304 Stainless Steel
WR-120-B	120" Epoxy Top	Right Rear Cutout	Black
WR-120-S	120" Stainless Steel Top	Right Rear Cutout	304 Stainless Steel
WR-144-B	144" Epoxy Top	Right Rear Cutout	Black
WR-144-S	144" Stainless Steel Top,	Right Rear Cutout	304 Stainless Steel

Fume Hood Accessories – Worktops

Worktop – With Both Rear Cupsinks

WB-36-B	36" Epoxy Top	Both Cutout	Black
WB-36-S	36" Stainless Steel Top	Both Cutout	304 Stainless Steel
WB-48-B	48" Epoxy Top	Both Cutout	Black
WB-48-S	48" Stainless Steel Top	Both Cutout	304 Stainless Steel
WB-60-B	60" Epoxy Top	Both Cutout	Black
WB-60-S	60" Stainless Steel Top	Both Cutout	304 Stainless Steel
WB-72-B	72" Epoxy Top	Both Cutout	Black
WB-72-S	72" Stainless Steel Top	Both Cutout	304 Stainless Steel
WB-96-B	96" Epoxy Top	Both Cutout	Black
WB-96-S	96" Stainless Steel Top	Both Cutout	304 Stainless Steel
WB-120-B	120" Epoxy Top	Both Cutout	Black
WB-120-S	120" Stainless Steel Top	Both Cutout	304 Stainless Steel
WB-144-B	144" Epoxy Top	Both Cutout	Black
WB-144-S	144" Stainless Steel Top	Both Cutout	304 Stainless Steel

Deep Workfloor – Walk-In Hoods

WI-48D30B	48" Epoxy Floor	Deep	Black
WI-48D30S	48" Stainless Steel Floor	Deep	304 Stainless Steel
WI-60D30B	60" Epoxy Floor	Deep	Black
WI-60D30S	60" Stainless Steel Floor	Deep	304 Stainless Steel
WI-72D30B	72" Epoxy Floor	Deep	Black
WI-72D30S	72" Stainless Steel Floor	Deep	304 Stainless Steel
WI-96D30B	96" Epoxy Floor	Deep	Black
WI-96D30S	96" Stainless Steel Floor	Deep	304 Stainless Steel
WI-120D30B	120" Epoxy Floor	Deep	Black
WI-120D30S	120" Stainless Steel Floor	Deep	304 Stainless Steel
WI-144D30B	144" Epoxy Floor	Deep	Black
WI-144D30S	144" Stainless Steel Floor	Deep	304 Stainless Steel

Deep Worktop – Without Cupsink

WN-48D30B	48" Epoxy	Deep	No Cutout	Black
WN-48D30S	48" Stainless Steel	Deep	No Cutout	304 Stainless Steel
WN-60D30B	60" Epoxy	Deep	No Cutout	Black
WN-60D30S	60" Stainless Steel	Deep	No Cutout	304 Stainless Steel
WN-72D30B	72" Epoxy	Deep	No Cutout	Black
WN-72D30S	72" Stainless Steel	Deep	No Cutout	304 Stainless Steel
WN-96D30B	96" Epoxy	Deep	No Cutout	Black
WN-96D30S	96" Stainless Steel	Deep	No Cutout	304 Stainless Steel
WN-120D30B	120" Epoxy	Deep	No Cutout	Black
WN-120D30S	120" Stainless Steel	Deep	No Cutout	304 Stainless Steel
WN-144D30B	144" Epoxy	Deep	No Cutout	Black
WN-144D30S	144" Stainless Steel	Deep	No Cutout	304 Stainless Steel

Deep Worktop – With Left Rear Cupsink

WL-48D30B	48" Epoxy	Deep	Left Rear Cutout	Black
WL-48D30S	48" Stainless Steel	Deep	Left Rear Cutout	304 Stainless Steel
WL-60D30B	60" Epoxy	Deep	Left Rear Cutout	Black
WL-60D30S	60" Stainless Steel	Deep	Left Rear Cutout	304 Stainless Steel
WL-72D30B	72" Epoxy	Deep	Left Rear Cutout	Black
WL-72D30S	72" Stainless Steel	Deep	Left Rear Cutout	304 Stainless Steel
WL-96D30B	96" Epoxy	Deep	Left Rear Cutout	Black
WL-96D30S	96" Stainless Steel	Deep	Left Rear Cutout	304 Stainless Steel
WL-120D30B	120" Epoxy	Deep	Left Rear Cutout	Black
WL-120D30S	120" Stainless Steel	Deep	Left Rear Cutout	304 Stainless Steel
WL-144D30B	144" Epoxy	Deep	Left Rear Cutout	Black
WL-144D30S	144" Stainless Steel	Deep	Left Rear Cutout	304 Stainless Steel

Fume Hood Accessories – Worktops

Deep Worktop – With Right Rear Cupsink

WR-48D30B	48" Epoxy	Deep	Right Rear Cutout	Black
WR-48D30S	48" Stainless Steel	Deep	Right Rear Cutout	304 Stainless Steel
WR-60D30B	60" Epoxy	Deep	Right Rear Cutout	Black
WR-60D30S	60" Stainless Steel	Deep	Right Rear Cutout	304 Stainless Steel
WR-72D30B	72" Epoxy	Deep	Right Rear Cutout	Black
WR-72D30S	72" Stainless Steel	Deep	Right Rear Cutout	304 Stainless Steel
WR-96D30B	96" Epoxy	Deep	Right Rear Cutout	Black
WR-96D30S	96" Stainless Steel	Deep	Right Rear Cutout	304 Stainless Steel
WR-120D30B	120" Epoxy	Deep	Right Rear Cutout	Black
WR-120D30S	120" Stainless Steel	Deep	Right Rear Cutout	304 Stainless Steel
WR-144D30B	144" Epoxy	Deep	Right Rear Cutout	Black
WR-144D30S	144" Stainless Steel	Deep	Right Rear Cutout	304 Stainless Steel

Deep Worktop – With Both Rear Cupsink

WB-48D30B	48" Epoxy	Deep	Both Cutout	Black
WB-48D30S	48" Stainless Steel	Deep	Both Cutout	304 Stainless Steel
WB-60D30B	60" Epoxy	Deep	Both Cutout	Black
WB-60D30S	60" Stainless Steel	Deep	Both Cutout	304 Stainless Steel
WB-72D30B	72" Epoxy	Deep	Both Cutout	Black
WB-72D30S	72" Stainless Steel	Deep	Both Cutout	304 Stainless Steel
WB-96D30B	96" Epoxy	Deep	Both Cutout	Black
WB-96D30S	96" Stainless Steel	Deep	Both Cutout	304 Stainless Steel
WB-120D30B	120" Epoxy	Deep	Both Cutout	Black
WB-120D30S	120" Stainless Steel	Deep	Both Cutout	304 Stainless Steel
WB-144D30B	144" Epoxy	Deep	Both Cutout	Black
WB-144D30S	144" Stainless Steel	Deep	Both Cutout	304 Stainless Steel

ADA Worktop – With Left Front Cupsink

WAL-48B	48" ADA Epoxy	Left Front Cutout	Black
WAL-48S	48" ADA Stainless Steel	Left Front Cutout	304 Stainless Steel
WAL-60B	60" ADA Epoxy	Left Front Cutout	Black
WAL-60S	60" ADA Stainless Steel	Left Front Cutout	304 Stainless Steel
WAL-72B	72" ADA Epoxy	Left Front Cutout	Black
WAL-72S	72" ADA Stainless Steel	Left Front Cutout	304 Stainless Steel
WAL-96B	96" ADA Epoxy	Left Front Cutout	Black
WAL-96S	96" ADA Stainless Steel	Left Front Cutout	304 Stainless Steel

ADA Worktop – With Right Front Cupsink

WAR-48B	48" ADA Epoxy	Right Front Cutout	Black
WAR-48S	48" ADA Stainless Steel	Right Front Cutout	304 Stainless Steel
WAR-60B	60" ADA Epoxy	Right Front Cutout	Black
WAR-60S	60" ADA Stainless Steel	Right Front Cutout	304 Stainless Steel
WAR-72B	72" ADA Epoxy	Right Front Cutout	Black
WAR-72S	72" ADA Stainless Steel	Right Front Cutout	304 Stainless Steel
WAR-96B	96" ADA Epoxy	Right Front Cutout	Black
WAR-96S	96" ADA Stainless Steel	Right Front Cutout	304 Stainless Steel

Fume Hood Accessories – Worktops

ADA Worktop – With Both Front Cupsink

WAB-48B	48" ADA Epoxy	Both Cutout	Black
WAB-48S	48" ADA Stainless Steel	Both Cutout	304 Stainless Steel
WAB-60B	60" ADA Epoxy	Both Cutout	Black
WAB-60S	60" ADA Stainless Steel	Both Cutout	304 Stainless Steel
WAB-72B	72" ADA Epoxy	Both Cutout	Black
WAB-72S	72" ADA Stainless Steel	Both Cutout	304 Stainless Steel
WAB-96B	96" ADA Epoxy	Both Cutout	Black
WAB-96S	96" ADA Stainless Steel	Both Cutout	304 Stainless Steel