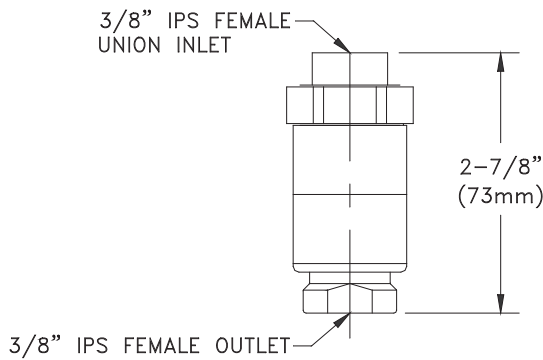


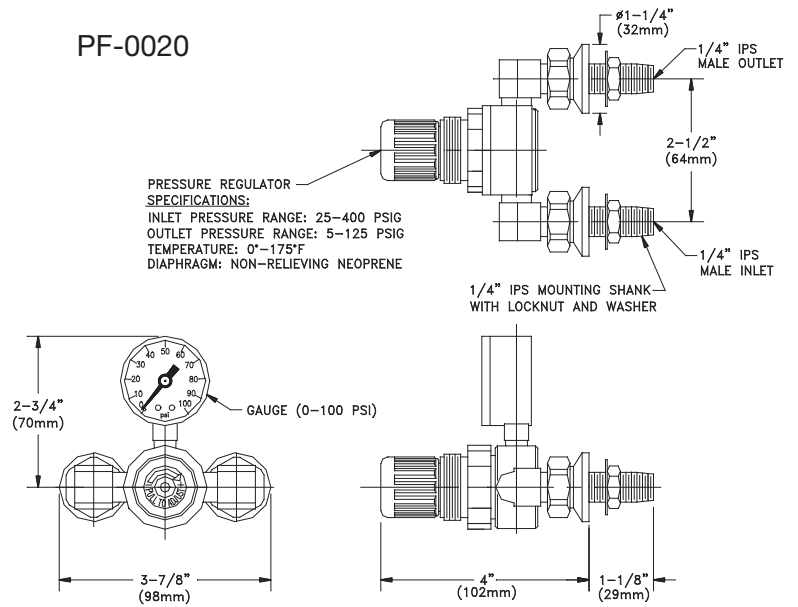
Fixture Accessories

PF-0010	Backflow Prevention	Check Valve	
PF-0020	Pressure Regulator	Vertical	Panel Mount
PF-0030	Quick Disconnect Interior Fitting		
PF-0040	Vacuum Breaker	External	Face Mount
PF-0050	Vacuum Breaker	External	Top Mount

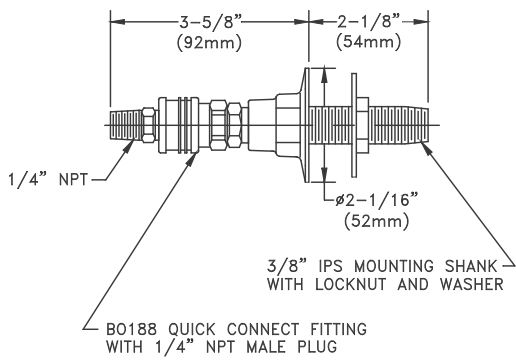
PF-0010



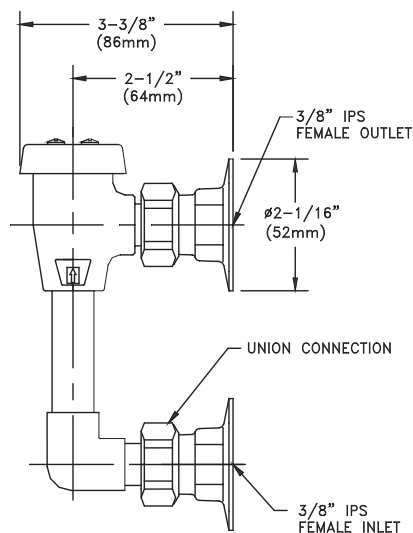
PF-0020



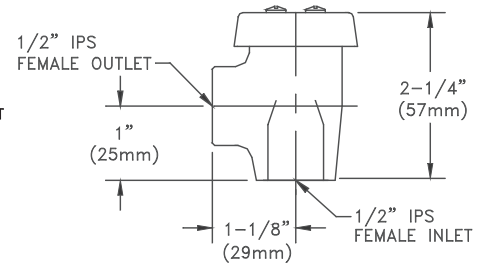
PF-0030



PF-0040



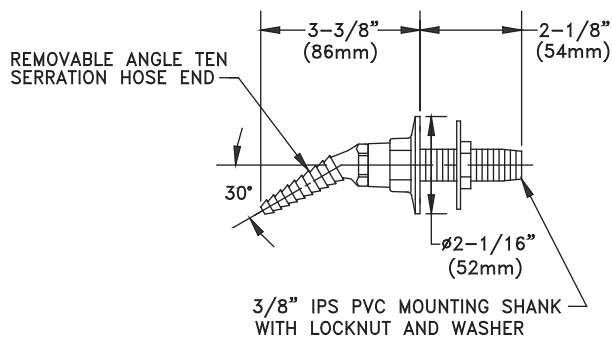
PF-0050



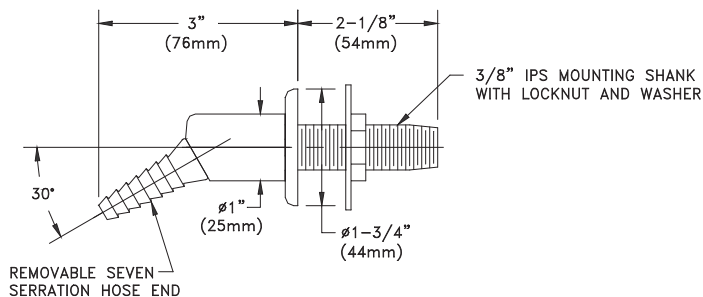
Fume Hood Plumbing – Outlet Options

Outlet Options

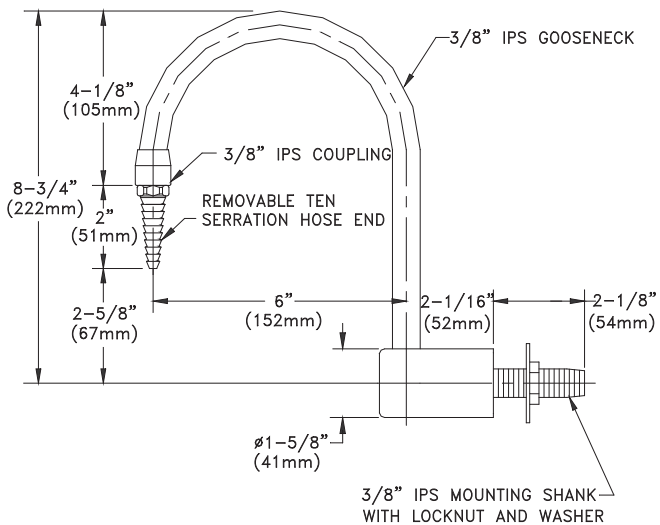
PF-0060	Outlet	Gas	Serrated	
PF-0060-VR	Outlet	Gas	Serrated	Vandal Resistant
PF-0070	Outlet	Gas	Serrated	HOPEC/ADA
PF-0080	Outlet	Steam	Serrated	
PF-0090	Outlet	Steam	Serrated	HOPEC/ADA
PF-0100	Outlet	Water	Serrated	
PF-0110	Outlet	Water	Gooseneck	
PF-0120	Outlet	Water	Gooseneck	VB
PF-0120-VR	Outlet	Water	Gooseneck	Vandal Resistant



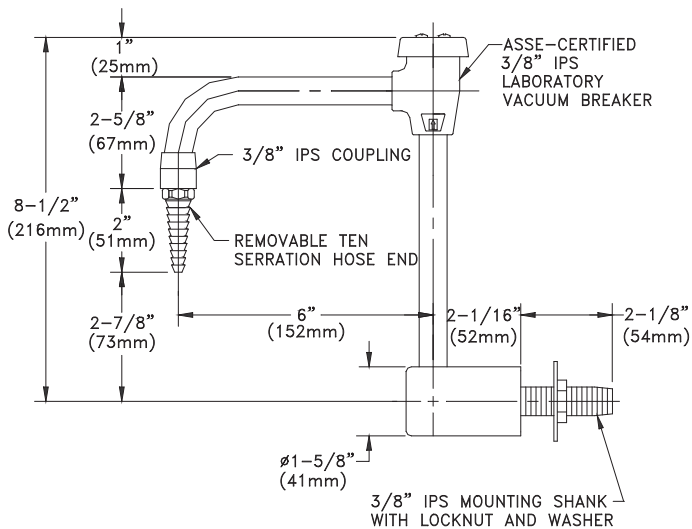
For use with outlets: PF-0060/0080/0100



For use with outlets: PF-0070/0090



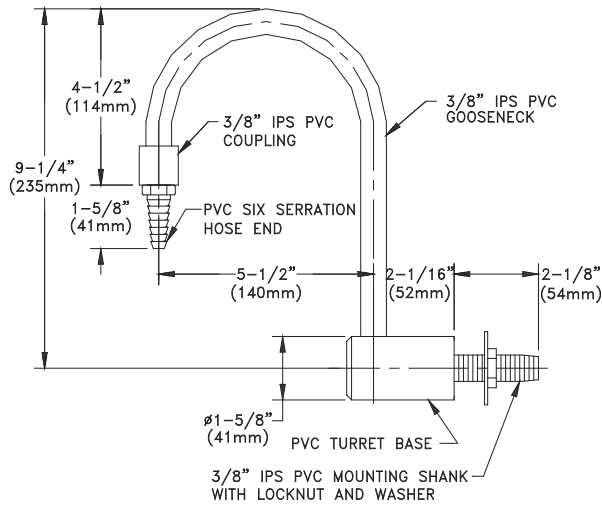
For use with outlets: PF-0110



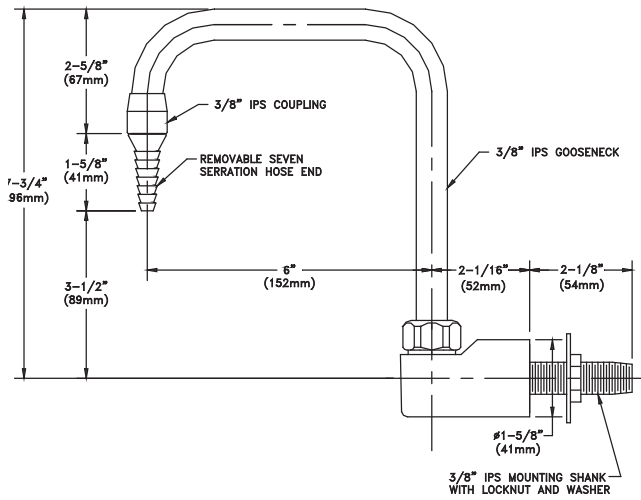
For use with outlets: PF-0120

Outlet Options

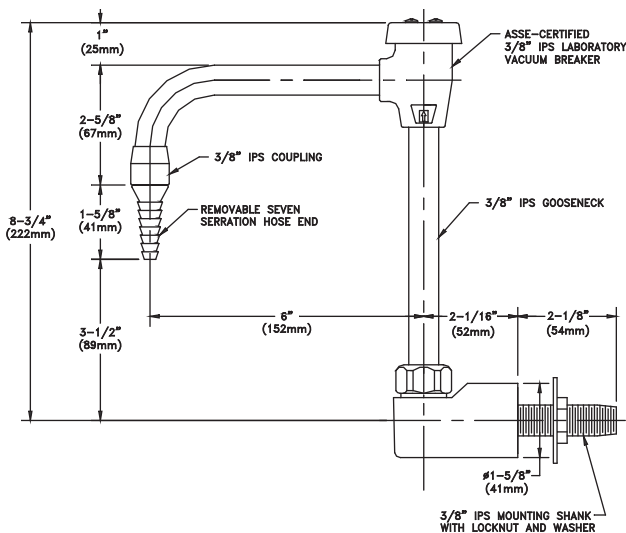
PF-0130	Outlet	Water	Gooseneck	Deion	Polypro
PF-0140	Outlet	Water	Gooseneck	Distilled	PVC
PF-0150	Outlet	Water	Gooseneck	HOPEC/ADA	
PF-0160	Outlet	Water	Gooseneck	HOPEC/ADA	VB
PF-0170	Outlet	Water	Right Angle		
PF-0180	Outlet	Water	Right Angle		VB



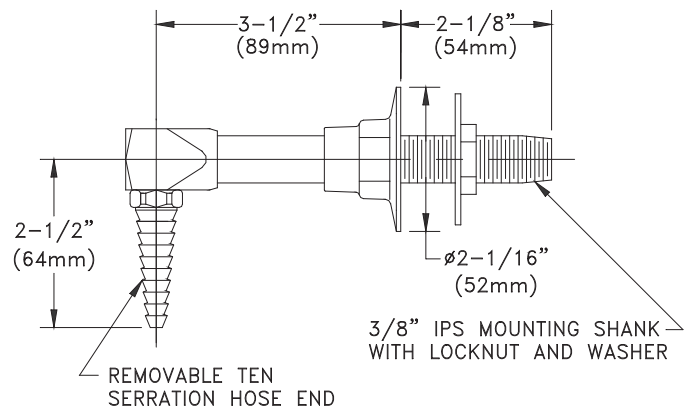
For use with outlets: PF-0130*/0140
*PVC areas are replaced with Polypropylene



For use with outlets: PF-0150



For use with outlets: PF-0160



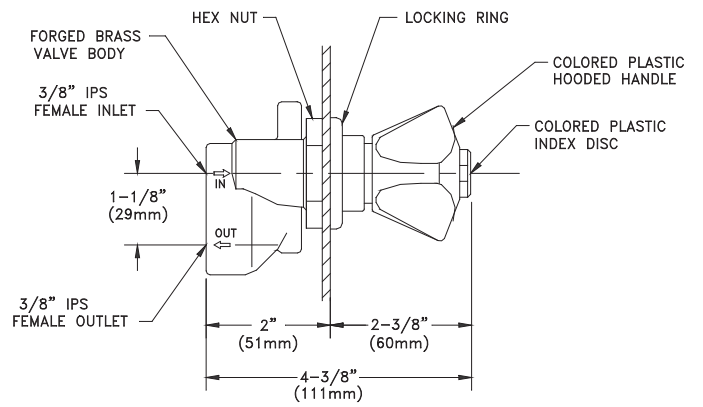
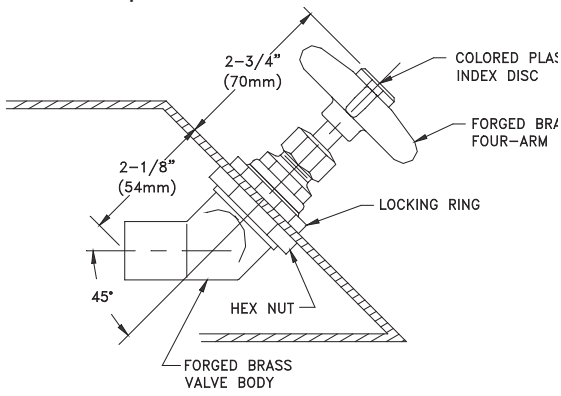
For use with outlets: PF-0170*
*Item made for front cupsink worktops
*PF-0180 with VB also available in lieu of gooseneck outlet on ADA units

Fume Hood Plumbing – Valve Options

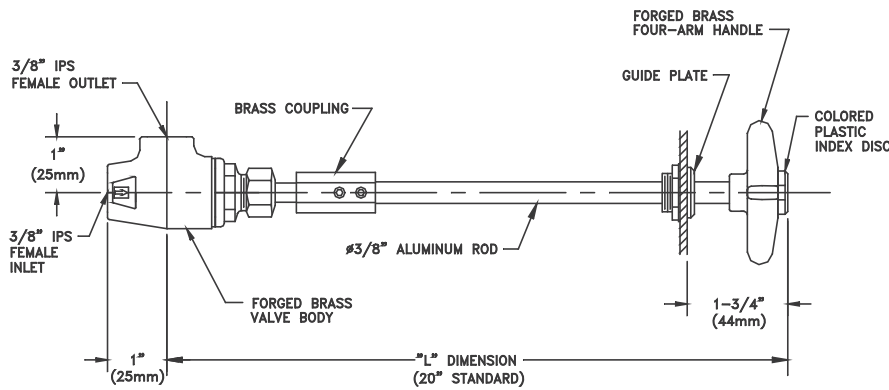
Valve Options

Valve	Front Load	Gas			
PF-0190	Valve	Front Load	Gas		
PF-0200	Valve	Front Load	Gas	Fine Control	
PF-0210	Valve	Front Load	Gas	HOPEC/ADA	
PF-0215	Valve	Front Load	Gas	STRA	
PF-0220	Valve	Front Load	H&C Mix		
PF-0230	Valve	Front Load	H&C Mix	HOPEC/ADA	
PF-0240	Valve	Front Load	Steam		
PF-0250	Valve	Front Load	Steam	HOPEC/ADA	
PF-0260	Valve	Front Load	Water		
PF-0270	Valve	Front Load	Water	HOPEC/ADA	
PF-0280	Valve	Rod Driven	Gas		
PF-0280-VR	Valve	Rod Driven	Gas	Vandal Resistant	
PF-0290	Valve	Rod Driven	Gas	Fine Control	
PF-0300	Valve	Rod Driven	Gas	Lever	
PF-0310	Valve	Rod Driven	H&C Mix		
PF-0320	Valve	Rod Driven	H&C Mix	Lever	
PF-0330	Valve	Rod Driven	Steam		
PF-0340	Valve	Rod Driven	Steam	Lever	
PF-0350	Valve	Rod Driven	Water		
PF-0350-VR	Valve	Rod Driven	Water	Vandal Resistant	
PF-0360	Valve	Rod Driven	Water	Deion	Polypro
PF-0370	Valve	Rod Driven	Water	Distilled	PVC
PF-0380	Valve	Rod Driven	Water	Lever	

Valve Options

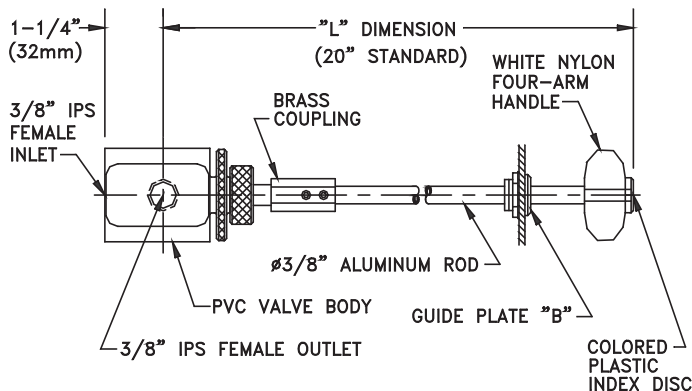
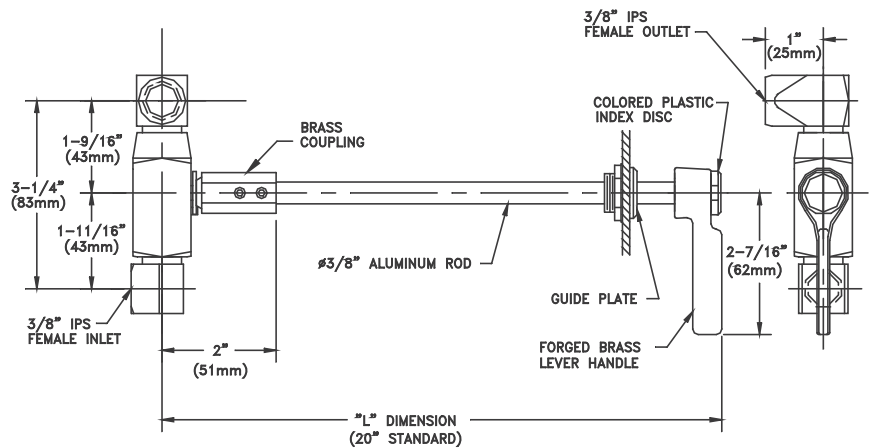


For use with valves:
PF-0190/0200/0220/0240/0260



For use with valves:
PF-0280/0290/0310/0330/0350

For use with valves:
PF-0300/0320/0340/0380PF-0190



For use with valves:
PF-0360/0370

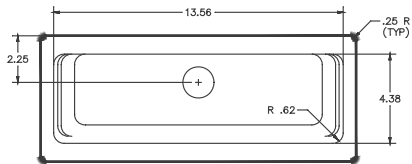
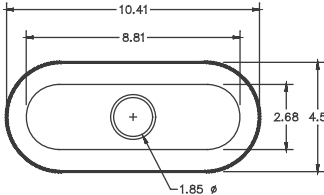
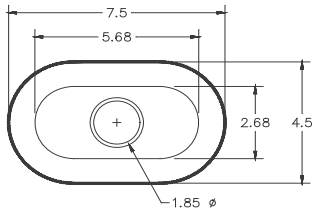
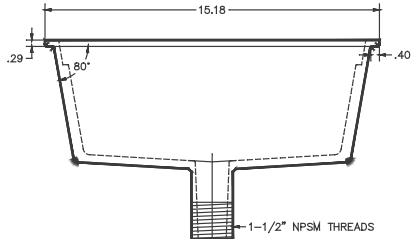
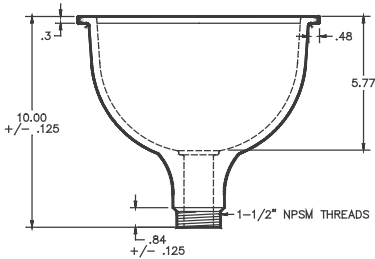
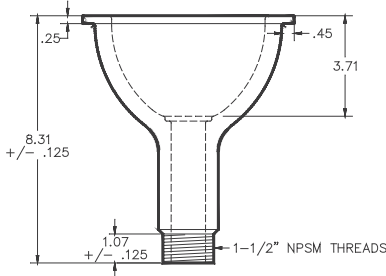
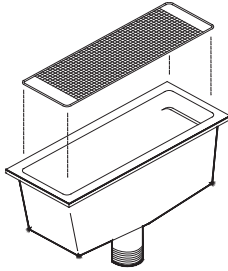
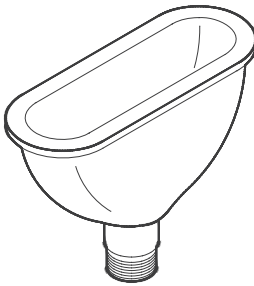
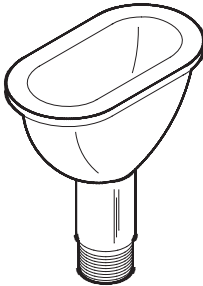
Fume Hood Plumbing – Cupsink Options

Cupsink Options

CS01-6-B	3"x 6" Epoxy	Oval Mount	Black
CS01-6-G	3"x 6" Epoxy	Oval Mount	Pearl Gray
CS01-6-M	3"x 6" Epoxy	Oval Mount	Platinum Gray
CS01-9-B	3"x 9" Epoxy	Oval Mount	Black
CS01-9-G	3"x 9" Epoxy	Oval Mount	Pearl Gray
CS01-9-M	3"x 9" Epoxy	Oval Mount	Platinum Gray
CS02-6-A	3"x 6" Glass	Oval Mount	
CS02-9-A	3"x 9" Glass	Oval Mount	
CS03-6-S	3"x 6" 316 Stainless Steel	Oval Mount	
CS03-9-S	3"x 9" 316 Stainless Steel	Oval Mount	
CS04-6-B	3"x 6" Polypropylene	Oval Mount	Black
CS04-9-B	3"x 9" Polypropylene	Oval Mount	Black
CS05-5-B	5"x 14" Polypropylene	Rectangle	Black
CS06-6-B	3"x 6" Polypropylene	Oval Wall Mount with 90° elbow and backnut	Black
CS07-5-B	5"x 14" Polypropylene	Rectangle Wall Mount with 90°elbow and backnut 316 stainless steel screen support bracket	Black
CS07-5-S	5"x 14" 316 Stainless	Rectangle Wall Mount with 90°elbow and backnut 316 stainless steel screen support bracket	
CS08-5-B	5"x 14" Polypropylene	Rectangle Deck Mount 316 stainless steel screen support bracket	Black
CS08-5-S	5"x 14" 316 Stainless	Rectangle Deck Mount 316 stainless steel screen support bracket	

*Appropriate cupsink(s) price included with worktop purchase.

Cupsink Diagrams



3 x 6 Cupsink Dimensions

3 x 9 Cupsink Dimensions

5 x 14 Cupsink Dimensions

Fume Hood Plumbing – Pre-Piping Plumbing Fixtures

Pre-Piping Plumbing Fixtures

PP-FLM	Piping per Fitting, Front Load, Mix, Simple
PP-FLS	Piping per Fitting, Front Load, Stainless
PP-FLT	Piping per Fitting, Front Load, Telfon
PP-FLV	Piping per Fitting, Front Load, Simple *Cold water, hot water, air, vacuum, nitrogen, hydrogen, steam 1/2" Type L hard copper tubing
PP-FLW	Piping per Fitting, Front Load, Ultra Pure *Argon, pure gas 1/2" ACR cleaned and capped copper tubing
PP-FLX	Piping per Fitting, Front Load, Black Iron *Gas, natural gas, steam 3/8" Schedule 40 black iron pipe
PP-FLY	Piping per Fitting, Front Load, PVC, Distilled *Distilled water 1/2" Schedule 80 PVC tubing
PP-FLZ	Piping per Fitting, Front Load, PolyPro *Deionized water, glycol supply, glycol return 1/2" Schedule 80 Polypropylene tubing
PP-RDM	Piping per Fitting, Rod Driven, Mix, Simple
PP-RDS	Piping per Fitting, Rod Driven, Stainless
PP-RDT	Piping per Fitting, Rod Driven, Mix, Teflon
PP-RDV	Piping per Fitting, Rod Driven, Copper *Cold water, hot water, air, vacuum, nitrogen, hydrogen, steam 1/2" Type L hard copper tubing
PP-RDW	Piping per Fitting, Rod Driven, Ultra Pure *Argon, pure gas 1/2" ACR cleaned and capped copper tubing
PP-RDX	Piping per Fitting, Rod Driven, Black Iron *Gas, natural gas 3/8" Schedule 40 black iron pipe
PP-RDY	Piping per Fitting, Rod Driven, PVC, Distilled *Distilled water 1/2" Schedule 80 PVC tubing
PP-RDZ	Piping per Fitting, Rod Driven, PolyPro *Deionized water, glycol supply, glycol return 1/2" Schedule 80 Polypropylene tubing

*Note: These services are for general use only. Local plumbing codes supercede what is written here. It is ultimately the responsibility of the Dealer to interpret local plumbing codes.

Pre-Piping Plumbing Fixtures

PP-A0001	Pre-plumbing for external vacuum breaker
PP-A0002	Pre-plumbing, Single Point Conn, Mixing, Simple
PP-A0003	Pre-plumbing, Single Point Conn, Teflon
PP-A0004	Pre-plumbing, Single Point Conn, Simple
PP-A0005	Pre-plumbing, Single Point Conn, Stainless
PP-A0006	Pre-plumbing, Single Point Conn, Ultra Pure
PP-A0007	Pre-plumbing, Single Point Conn, Black Iron
PP-A0008	Pre-plumbing, Single Point Conn, PVC
PP-A0009	Pre-plumbing, Single Point Conn, Polypro
PP-A0010	Pre-plumbing, Face Mounted Pressure Regulator
PP-A0011	Insulated Piping, per Fitting

Fume Hood Plumbing

Standard Indexing

<u>FIXTURE USE</u>	<u>COLOR</u>	<u>ABBREV.</u>
Air	Orange	AIR
Cold Water	Green	CW
De-ionized Water	White	DI
Distilled Water	White	DW
Gas	Blue	GAS
Hot Water	Red	HW
Hydrogen	Pink	HYD
Nitrogen	Brown	NIT
Oxygen	Lt. Green	OXY
Steam	Black	STM
Vacuum	Yellow	VAC

Other Indexing

<u>FIXTURE USE</u>	<u>COLOR</u>	<u>ABBREV.</u>
Acetylene	Violet	C2H2
Actinium	Silver	AC
Ammonia	Lt. Green	NH3
Argon	Violet	AR
Aspirator	Green	ASP
Butane	Lt. Blue	BUT
Carbon Dioxide	Pink	C02
Chilled Water	Green	CH WAT
Chilled Water Supply	Green	CWS
Chilled Water Return	Green	CWR
Cylinder Gas	Lt. Blue	CYL GAS
Glycol Supply	Lt. Green	GYL SUP
Glycol Return	Lt. Green	GYL RET
Helium	Black	HE
Hydrogen	Pink	H2
Hydrogen	Lt. Blue	H
Hydrogen	Lt. Blue	H2
Hydrogen	Lt. Blue	HYD
Hydrogen Sulfite	Black	H2S
Ice Water	White	IW
Industrial Cold Water	Green	ICW
Industrial Hot Water	Red	IHW
Methane	Lt. Blue	CH4
Natural Gas	White	NAT GAS
Nitrogen	Gray	NIT
Nitrogen	Gray	N2
Nitrogen	Brown	N
Nitrogen	Brown	N2
Nitrous Oxide	Lt. Green	N20
Oxygen	Lt. Green	02
Phosphorus	Tan	P
Propane	Pink	PRO
Reverse Osmosis	White	RO
Special Gas	Lt. Blue	SG
Sulphur Dioxide	Tan	S02