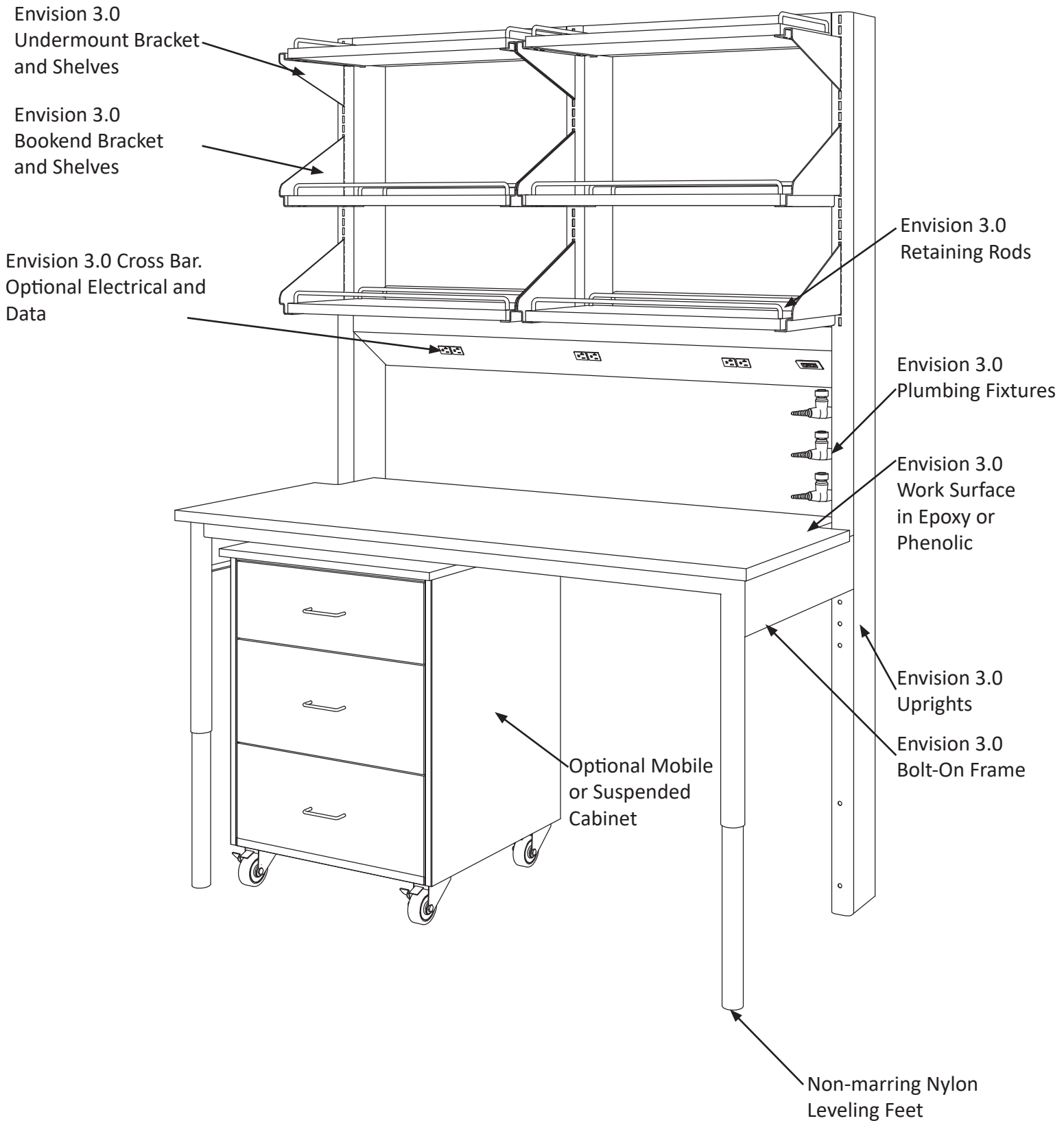


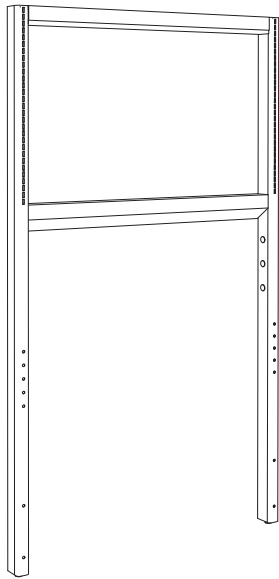
## Adaptable Casework - Envision Series



# Envision 3.0



## Envision 3.0 - 3" Uprights with Plumbing Cutouts Only



E3U3B-48R

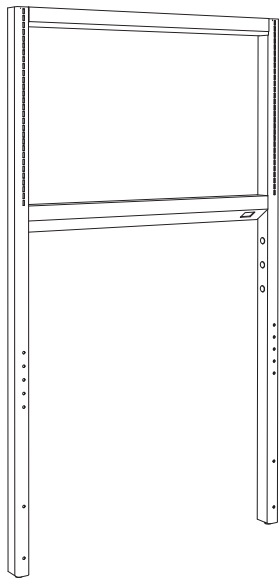
- Uprights are 3" Deep Envision 3.0, Single Sided
- Heights is 84"
- Upright with a width greater than 48" has a center upright
- For Stainless Steel contact your ICI representative

**Includes:**

- (3) plumbing cutouts on the noted side

Cat. No.		Width
Left Hand Plumbing	Right Hand Plumbing	
E3U3B-42L	E3U3B-42R	42"
E3U3B-48L	E3U3B-48R	48"
E3U3B-60L	E3U3B-60R	60"
E3U3B-72L	E3U3B-72R	72"
E3U3B-84L	E3U3B-84R	84"
E3U3B-96L	E3U3B-96R	96"

## Envision 3.0 - 3" Uprights with Plumbing and Data Cutouts Only



E3U3D-48R

- Uprights are 3" Deep Envision 3.0, Single Sided
- Heights is 84"
- Upright with a width greater than 48" has a center upright
- For Stainless Steel contact your ICI representative

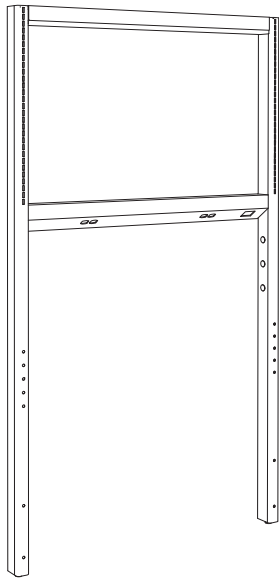
**Includes:**

- (3) plumbing cutouts on the noted side
- (1) data cutout on cross bar on same side as plumbing cutouts

Cat. No.		Width
Left Hand Plumbing	Right Hand Plumbing	
E3U3D-42L	E3U3D-42R	42"
E3U3D-48L	E3U3D-48R	48"
E3U3D-60L	E3U3D-60R	60"
E3U3D-72L	E3U3D-72R	72"
E3U3D-84L	E3U3D-84R	84"
E3U3D-96L	E3U3D-96R	96"

# Envision 3.0

## Envision 3.0 - 3" Uprights with Plumbing, Data, and Standard Electric Cutouts Only



E3U3DE-48R

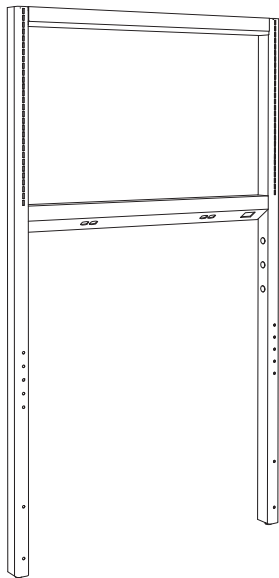
- Uprights are 3" Deep Envision 3.0, Single Sided
- Heights is 84"
- Upright with a width greater than 48" has a center upright
- For Stainless Steel contact your ICI representative

### Includes:

- (3) plumbing cutouts on the noted side
- (1) data cutout on cross bar on same side as plumbing cutouts
- 42" - 48" wide uprights have (2) standard electric cutouts on cross bar
- 60" - 96" wide uprights have (3) standard electric cutouts on cross bar
- (1) standard electric cutout on post opposite plumbing

Cat. No.		Width
Left Hand Plumbing	Right Hand Plumbing	
E3U3DE-42L	E3U3DE-42R	42"
E3U3DE-48L	E3U3DE-48R	48"
E3U3DE-60L	E3U3DE-60R	60"
E3U3DE-72L	E3U3DE-72R	72"
E3U3DE-84L	E3U3DE-84R	84"
E3U3DE-96L	E3U3DE-96R	96"

## Envision 3.0 - 3" Uprights with Plumbing, Data, and Standard & GFI Electric Cutouts Only



E3U3DEG-48R

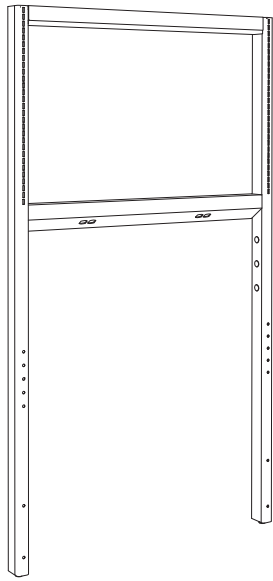
- Uprights are 3" Deep Envision 3.0, Single Sided
- Heights is 84"
- Upright with a width greater than 48" has a center upright
- For Stainless Steel contact your ICI representative

### Includes:

- (3) plumbing cutouts on the noted side
- (1) data cutout on cross bar on same side as plumbing cutouts
- 42" - 48" wide uprights have (2) standard electric cutouts on cross bar
- 60" - 96" wide uprights have (3) standard electric cutouts on cross bar
- (1) GFI electric cutout on post opposite plumbing

Cat. No.		Width
Left Hand Plumbing	Right Hand Plumbing	
E3U3DEG-42L	E3U3DEG-42R	42"
E3U3DEG-48L	E3U3DEG-48R	48"
E3U3DEG-60L	E3U3DEG-60R	60"
E3U3DEG-72L	E3U3DEG-72R	72"
E3U3DEG-84L	E3U3DEG-84R	84"
E3U3DEG-96L	E3U3DEG-96R	96"

## Envision 3.0 - 3" Uprights with Plumbing, and Standard Electric Cutouts Only



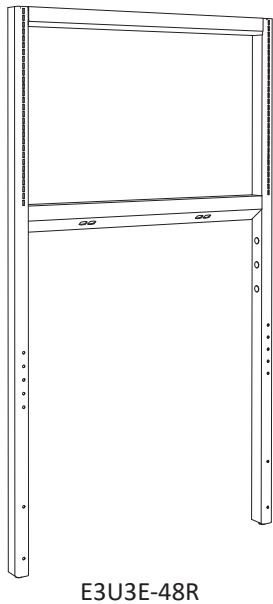
- Uprights are 3" Deep Envision 3.0, Single Sided
- Heights is 84"
- Upright with a width greater than 48" has a center upright
- For Stainless Steel contact your ICI representative

**Includes:**

- (3) plumbing cutouts on the noted side
- 42" - 48" wide uprights have (2) standard electric cutouts on cross bar
- 60" - 96" wide uprights have (3) standard electric cutouts on cross bar
- (1) standard electric cutout on post opposite plumbing

Cat. No.		Width
Left Hand Plumbing	Right Hand Plumbing	
E3U3E-42L	E3U3E-42R	42"
E3U3E-48L	E3U3E-48R	48"
E3U3E-60L	E3U3E-60R	60"
E3U3E-72L	E3U3E-72R	72"
E3U3E-84L	E3U3E-84R	84"
E3U3E-96L	E3U3E-96R	96"

## Envision 3.0 - 3" Uprights with Plumbing, and Standard & GFI Electric Cutouts Only



- Uprights are 3" Deep Envision 3.0, Single Sided
- Heights is 84"
- Upright with a width greater than 48" has a center upright
- For Stainless Steel contact your ICI representative

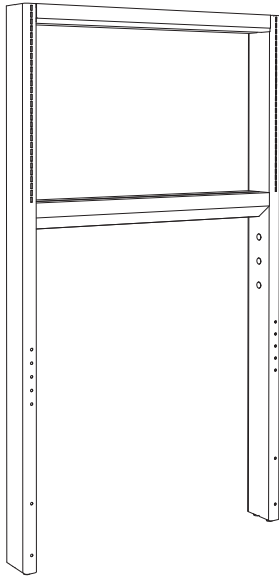
**Includes:**

- (3) plumbing cutouts on the noted side
- 42" - 48" wide uprights have (2) standard electric cutouts on cross bar
- 60" - 96" wide uprights have (3) standard electric cutouts on cross bar
- (1) GFI electric cutout on post opposite plumbing

Cat. No.		Width
Left Hand Plumbing	Right Hand Plumbing	
E3U3EG-42L	E3U3EG-42R	42"
E3U3EG-48L	E3U3EG-48R	48"
E3U3EG-60L	E3U3EG-60R	60"
E3U3EG-72L	E3U3EG-72R	72"
E3U3EG-84L	E3U3EG-84R	84"
E3U3EG-96L	E3U3EG-96R	96"

# Envision 3.0

## Envision 3.0 - 6" Uprights with Plumbing Cutouts Only



E3U6B-48

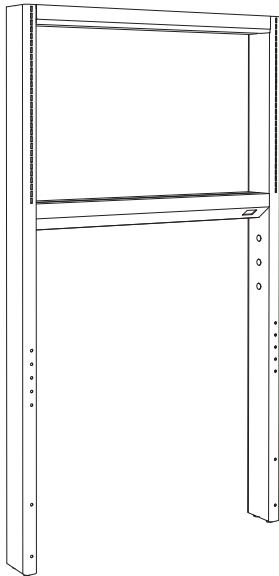
- Uprights are 6" Deep Envision 3.0, Double Sided
- Heights is 84"
- Upright with a width greater than 48" has a center upright
- For Stainless Steel contact your ICI representative

**Includes:**

- (3) plumbing cutouts on one side

Cat. No.	Width
E3U6B-42	42"
E3U6B-48	48"
E3U6B-60	60"
E3U6B-72	72"
E3U6B-84	84"
E3U6B-96	96"

## Envision 3.0 - 6" Uprights with Plumbing, and Data Cutouts Only



E3U6D-48

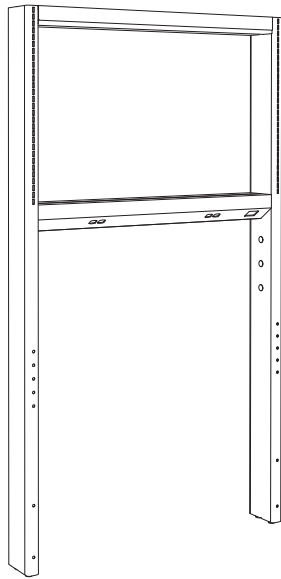
- Uprights are 6" Deep Envision 3.0, Double Sided
- Heights is 84"
- Upright with a width greater than 48" has a center upright
- For Stainless Steel contact your ICI representative

**Includes:**

- (3) plumbing cutouts on one side
- (1) data cutout on cross bar on same side as plumbing cutouts

Cat. No.	Width
E3U6D-42	42"
E3U6D-48	48"
E3U6D-60	60"
E3U6D-72	72"
E3U6D-84	84"
E3U6D-96	96"

## Envision 3.0 - 6" Uprights with Plumbing, Data, and Standard Electric Cutouts Only



E3U6DE-48

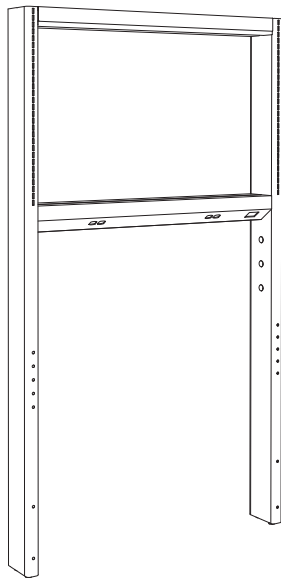
- Uprights are 6" Deep Envision 3.0, Double Sided
- Heights is 84"
- Upright with a width greater than 48" has a center upright
- For Stainless Steel contact your ICI representative

**Includes:**

- (3) plumbing cutouts on one side
- (1) data cutout on cross bar on same side as plumbing cutouts
- 42" - 48" wide uprights have (4) standard electric cutouts on cross bar
- 60" - 96" wide uprights have (6) standard electric cutouts on cross bar
- (2) standard electric cutout on opposite post as the plumbing cutouts

Cat. No.	Width
E3U6DE-42	42"
E3U6DE-48	48"
E3U6DE-60	60"
E3U6DE-72	72"
E3U6DE-84	84"
E3U6DE-96	96"

## Envision 3.0 - 6" Uprights with Plumbing, Data, and Standard & GFI Electric Cutouts Only



E3U6DEG-48

- Uprights are 6" Deep Envision 3.0, Double Sided
- Heights is 84"
- Upright with a width greater than 48" has a center upright
- For Stainless Steel contact your ICI representative

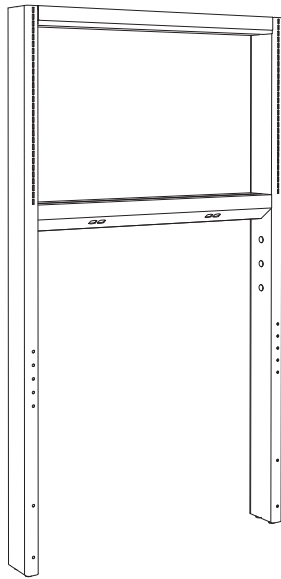
**Includes:**

- (3) plumbing cutouts on one side
- (1) data cutout on cross bar on same side as plumbing cutouts
- 42" - 48" wide uprights have (4) standard electric cutouts on cross bar
- 60" - 96" wide uprights have (6) standard electric cutouts on cross bar
- (2) GFI electric cutout on opposite post as the plumbing cutouts

Cat. No.	Width
E3U6DEG-42	42"
E3U6DEG-48	48"
E3U6DEG-60	60"
E3U6DEG-72	72"
E3U6DEG-84	84"
E3U6DEG-96	96"

# Envision 3.0

## Envision 3.0 - 6" Uprights with Plumbing, and Standard Electric Cutouts Only



E3U6E-48

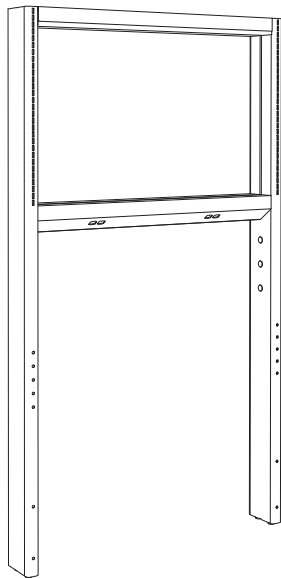
- Uprights are 6" Deep Envision 3.0, Double Sided
- Heights is 84"
- Upright with a width greater than 48" has a center upright
- For Stainless Steel contact your ICI representative

**Includes:**

- (3) plumbing cutouts on one side
- 42" - 48" wide uprights have (4) standard electric cutouts on cross bar
- 60" - 96" wide uprights have (6) standard electric cutouts on cross bar
- (2) standard electric cutout on opposite post as the plumbing cutouts

Cat. No.	Width
E3U6E-42	42"
E3U6E-48	48"
E3U6E-60	60"
E3U6E-72	72"
E3U6E-84	84"
E3U6E-96	96"

## Envision 3.0 - 6" Uprights with Plumbing, and Standard & GFI Electric Cutouts Only



E3U6EG-48

- Uprights are 6" Deep Envision 3.0, Double Sided
- Heights is 84"
- Upright with a width greater than 48" has a center upright
- For Stainless Steel contact your ICI representative

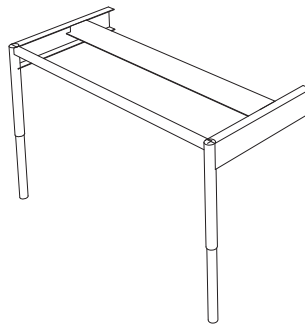
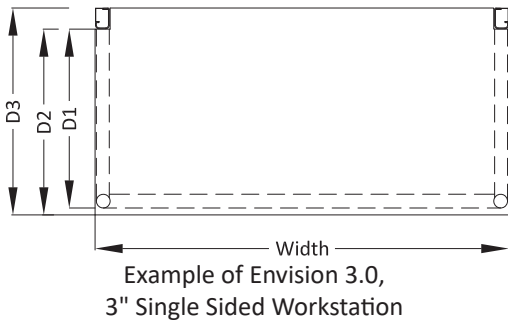
**Includes:**

- (3) plumbing cutouts on one side
- 42" - 48" wide uprights have (4) standard electric cutouts on cross bar
- 60" - 96" wide uprights have (6) standard electric cutouts on cross bar
- (2) GFI electric cutout on opposite post as the plumbing cutouts

Cat. No.	Width
E3U6EG-42	42"
E3U6EG-48	48"
E3U6EG-60	60"
E3U6EG-72	72"
E3U6EG-84	84"
E3U6EG-96	96"



## Envision 3.0 - Bolt-on Frame - 3" Upright Single Sided

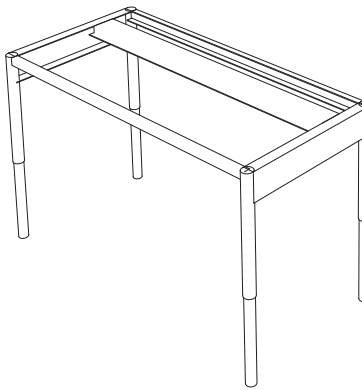
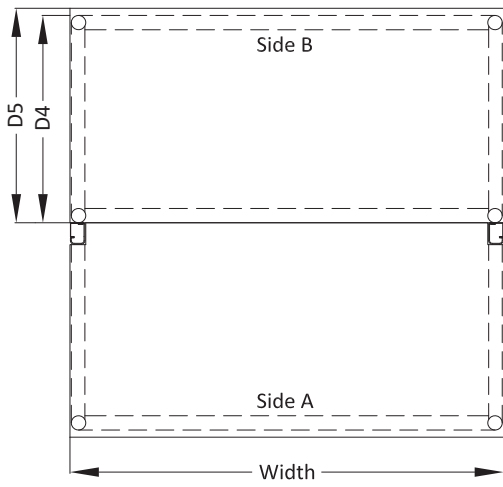


- Envision 3.0 Bolt-On Frames are to be attached to any Envision 3.0 uprights
- Only (1) Bolt-On Frame can be attached to a 3" upright
- (2) Bolt-On Frames can be attached to 6" uprights to make a double sided workstation
- Adjustable Height work surface frame from 30 1/4" - 36 1/4", in 2" increments
- For Stainless Steel, contact your ICI Representative
- Work Surface ordered separately
- Work Surface depth details listed below see page 27 for work surface part numbers

Bolt-on Frame Cat. No.	Depth of Bolt-on Frame (D1)	Nominal Depth of Bolt-on Frame (D2)	Depth of Work Surface with 3" Notch (D3)	Width
<b>Nominal 21" Deep</b>				
E3CTFB-2142	20"	21"	24"	42"
E3CTFB-2148	20"	21"	24"	48"
E3CTFB-2160	20"	21"	24"	60"
E3CTFB-2172	20"	21"	24"	72"
E3CTFB-2184	20"	21"	24"	84"
E3CTFB-2196	20"	21"	24"	96"
<b>Nominal 24" Deep</b>				
E3CTFB-2442	23"	24"	27"	42"
E3CTFB-2448	23"	24"	27"	48"
E3CTFB-2460	23"	24"	27"	60"
E3CTFB-2472	23"	24"	27"	72"
E3CTFB-2484	23"	24"	27"	84"
E3CTFB-2496	23"	24"	27"	96"
<b>Nominal 27" Deep</b>				
E3CTFB-2742	26"	27"	30"	42"
E3CTFB-2748	26"	27"	30"	48"
E3CTFB-2760	26"	27"	30"	60"
E3CTFB-2772	26"	27"	30"	72"
E3CTFB-2784	26"	27"	30"	84"
E3CTFB-2796	26"	27"	30"	96"
<b>Nominal 30" Deep</b>				
E3CTFB-3042	29"	30"	33"	42"
E3CTFB-3048	29"	30"	33"	48"
E3CTFB-3060	29"	30"	33"	60"
E3CTFB-3072	29"	30"	33"	72"
E3CTFB-3084	29"	30"	33"	84"
E3CTFB-3096	29"	30"	33"	96"
<b>Nominal 33" Deep</b>				
E3CTFB-3342	32"	33"	36"	42"
E3CTFB-3348	32"	33"	36"	48"
E3CTFB-3360	32"	33"	36"	60"
E3CTFB-3372	32"	33"	36"	72"
E3CTFB-3384	32"	33"	36"	84"
E3CTFB-3396	32"	33"	36"	96"

# Envision 3.0

## Envision 3.0 - Bolt-On and Table - 3" Uprights Double Sided

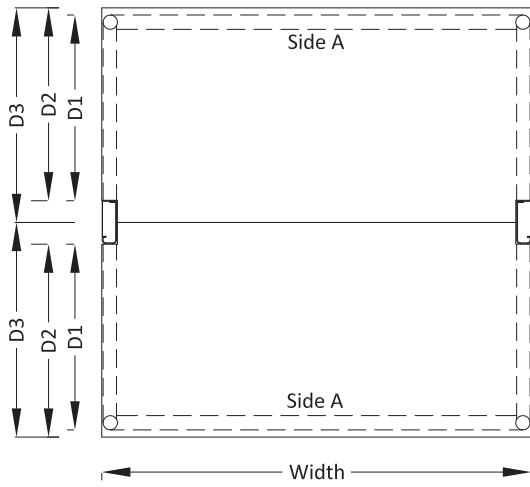


- Envision 3.0 Tables are to be used to make a double sided workstation with a 3" or 6" upright
- Envision 3.0 Tables can also be free standing tables
- Adjustable Height work surface frame from 30 1/4" - 36 1/4", in 2" increments
- For Stainless Steel, contact your ICI Representative
- Work Surface ordered separately
- Work Surface depth details for Side A listed on previous page
- Work Surface depth details for Side B listed below see page 29 for work surface part numbers

Example of Envision 3.0,  
3" Upright Double Sided Workstation

Bolt-on Frame Cat. No.	Depth of Frame/Table (D4)	Depth of Work Surface with No Notch (D5)	Width	Bolt-on Frame Cat. No.	Depth of Frame/Table (D4)	Depth of Work Surface with No Notch (D5)	Width
<b>Nominal 15" Deep</b>				<b>Nominal 27" Deep</b>			
E3CTFT-1542	14"	15"	42"	E3CTFT-2742	26"	27"	42"
E3CTFT-1548	14"	15"	48"	E3CTFT-2748	26"	27"	48"
E3CTFT-1560	14"	15"	60"	E3CTFT-2760	26"	27"	60"
E3CTFT-1572	14"	15"	72"	E3CTFT-2772	26"	27"	72"
E3CTFT-1584	14"	15"	84"	E3CTFT-2784	26"	27"	84"
E3CTFT-1596	14"	15"	96"	E3CTFT-2796	26"	27"	96"
<b>Nominal 18" Deep</b>				<b>Nominal 30" Deep</b>			
E3CTFT-1842	17"	18"	42"	E3CTFT-3042	29"	30"	42"
E3CTFT-1848	17"	18"	48"	E3CTFT-3048	29"	30"	48"
E3CTFT-1860	17"	18"	60"	E3CTFT-3060	29"	30"	60"
E3CTFT-1872	17"	18"	72"	E3CTFT-3072	29"	30"	72"
E3CTFT-1884	17"	18"	84"	E3CTFT-3084	29"	30"	84"
E3CTFT-1896	17"	18"	96"	E3CTFT-3096	29"	30"	96"
<b>Nominal 19" Deep</b>				<b>Nominal 33" Deep</b>			
E3CTFT-1942	18"	19"	42"	E3CTFT-3342	32"	33"	42"
E3CTFT-1948	18"	19"	48"	E3CTFT-3348	32"	33"	48"
E3CTFT-1960	18"	19"	60"	E3CTFT-3360	32"	33"	60"
E3CTFT-1972	18"	19"	72"	E3CTFT-3372	32"	33"	72"
E3CTFT-1984	18"	19"	84"	E3CTFT-3384	32"	33"	84"
E3CTFT-1996	18"	19"	96"	E3CTFT-3396	32"	33"	96"
<b>Nominal 21" Deep</b>				<b>Nominal 36" Deep</b>			
E3CTFT-2142	20"	21"	42"	E3CTFT-3642	35"	36"	42"
E3CTFT-2148	20"	21"	48"	E3CTFT-3648	35"	36"	48"
E3CTFT-2160	20"	21"	60"	E3CTFT-3660	35"	36"	60"
E3CTFT-2172	20"	21"	72"	E3CTFT-3672	35"	36"	72"
E3CTFT-2184	20"	21"	84"	E3CTFT-3684	35"	36"	84"
E3CTFT-2196	20"	21"	96"	E3CTFT-3696	35"	36"	96"
<b>Nominal 24" Deep</b>							
E3CTFT-2442	23"	24"	42"				
E3CTFT-2448	23"	24"	48"				
E3CTFT-2460	23"	24"	60"				
E3CTFT-2472	23"	24"	72"				
E3CTFT-2484	23"	24"	84"				
E3CTFT-2496	23"	24"	96"				

## Envision 3.0 - Bolt-On Frame - 6" Uprights Double Sided



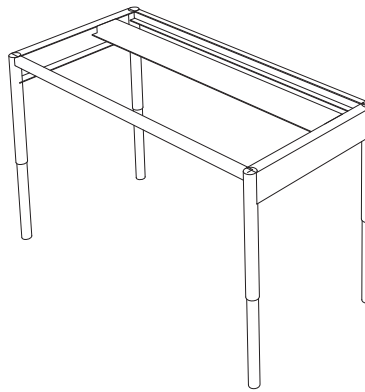
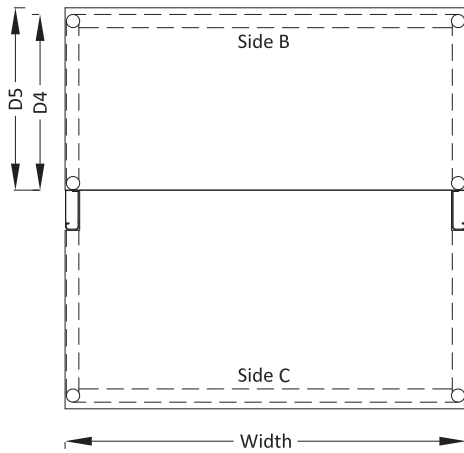
Example of Envision 3.0,  
6" Upright Double Sided Workstation with (2)  
Bolt-on Frames

- Envision 3.0 Bolt-On Frames are to be attached to any Envision 3.0 uprights
- Only (1) Bolt-On Frame can be attached to a 3" upright
- (2) Bolt-On Frames can be attached to 6" uprights to make a double sided workstation
- Adjustable Height work surface frame from 30 1/4" - 36 1/4", in 2" increments
- For Stainless Steel, contact your ICI Representative
- Work Surface depth details for Side B listed on previous page
- Work Surface depth details for Side A listed below see page 27 for work surface part numbers

Bolt-on Frame Cat. No.	Depth of Bolt-on Frame (D1)	Nominal Depth of Bolt-on Frame (D2)	Depth of Work Surface with 3" Notch (D3)	Width
<b>Nominal 21" Deep</b>				
E3CTFB-2142	20"	21"	24"	42"
E3CTFB-2148	20"	21"	24"	48"
E3CTFB-2160	20"	21"	24"	60"
E3CTFB-2172	20"	21"	24"	72"
E3CTFB-2184	20"	21"	24"	84"
E3CTFB-2196	20"	21"	24"	96"
<b>Nominal 24" Deep</b>				
E3CTFB-2442	23"	24"	27"	42"
E3CTFB-2448	23"	24"	27"	48"
E3CTFB-2460	23"	24"	27"	60"
E3CTFB-2472	23"	24"	27"	72"
E3CTFB-2484	23"	24"	27"	84"
E3CTFB-2496	23"	24"	27"	96"
<b>Nominal 27" Deep</b>				
E3CTFB-2742	26"	27"	30"	42"
E3CTFB-2748	26"	27"	30"	48"
E3CTFB-2760	26"	27"	30"	60"
E3CTFB-2772	26"	27"	30"	72"
E3CTFB-2784	26"	27"	30"	84"
E3CTFB-2796	26"	27"	30"	96"
<b>Nominal 30" Deep</b>				
E3CTFB-3042	29"	30"	33"	42"
E3CTFB-3048	29"	30"	33"	48"
E3CTFB-3060	29"	30"	33"	60"
E3CTFB-3072	29"	30"	33"	72"
E3CTFB-3084	29"	30"	33"	84"
E3CTFB-3096	29"	30"	33"	96"
<b>Nominal 33" Deep</b>				
E3CTFB-3342	32"	33"	36"	42"
E3CTFB-3348	32"	33"	36"	48"
E3CTFB-3360	32"	33"	36"	60"
E3CTFB-3372	32"	33"	36"	72"
E3CTFB-3384	32"	33"	36"	84"
E3CTFB-3396	32"	33"	36"	96"

# Envision 3.0

## Envision 3.0 - Bolt-On and Table - 6" Uprights Double Sided

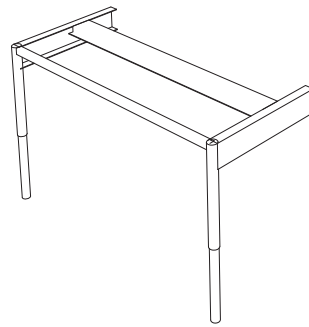
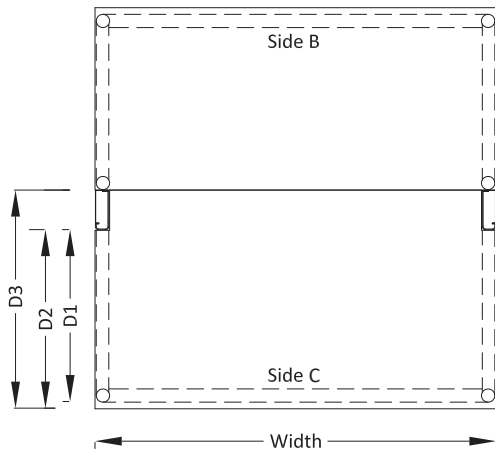


- Envision 3.0 Tables are to be used to make a double sided workstation with a 3" or 6" upright
- Envision 3.0 Tables can also be free standing tables
- Adjustable Height work surface frame from 30 1/4" - 36 1/4", in 2" increments
- For Stainless Steel, contact your ICI Representative
- Work Surface ordered separately
- Work Surface depth details for Side C listed on next page
- Work Surface depth details for Side B listed below see page 29 for work surface part numbers

Example of Envision 3.0,  
6" Upright Double Sided Workstation with (1)  
Bolt-on and (1) Table

Bolt-on Frame Cat. No.	Depth of Frame/Table (D4)	Depth of Work Surface with No Notch (D5)	Width	Bolt-on Frame Cat. No.	Depth of Frame/Table (D4)	Depth of Work Surface with No Notch (D5)	Width
<b>Nominal 15" Deep</b>				<b>Nominal 27" Deep</b>			
E3CTFT-1542	14"	15"	42"	E3CTFT-2742	26"	27"	42"
E3CTFT-1548	14"	15"	48"	E3CTFT-2748	26"	27"	48"
E3CTFT-1560	14"	15"	60"	E3CTFT-2760	26"	27"	60"
E3CTFT-1572	14"	15"	72"	E3CTFT-2772	26"	27"	72"
E3CTFT-1584	14"	15"	84"	E3CTFT-2784	26"	27"	84"
E3CTFT-1596	14"	15"	96"	E3CTFT-2796	26"	27"	96"
<b>Nominal 18" Deep</b>				<b>Nominal 30" Deep</b>			
E3CTFT-1842	17"	18"	42"	E3CTFT-3042	29"	30"	42"
E3CTFT-1848	17"	18"	48"	E3CTFT-3048	29"	30"	48"
E3CTFT-1860	17"	18"	60"	E3CTFT-3060	29"	30"	60"
E3CTFT-1872	17"	18"	72"	E3CTFT-3072	29"	30"	72"
E3CTFT-1884	17"	18"	84"	E3CTFT-3084	29"	30"	84"
E3CTFT-1896	17"	18"	96"	E3CTFT-3096	29"	30"	96"
<b>Nominal 19" Deep</b>				<b>Nominal 33" Deep</b>			
E3CTFT-1942	18"	19"	42"	E3CTFT-3342	32"	33"	42"
E3CTFT-1948	18"	19"	48"	E3CTFT-3348	32"	33"	48"
E3CTFT-1960	18"	19"	60"	E3CTFT-3360	32"	33"	60"
E3CTFT-1972	18"	19"	72"	E3CTFT-3372	32"	33"	72"
E3CTFT-1984	18"	19"	84"	E3CTFT-3384	32"	33"	84"
E3CTFT-1996	18"	19"	96"	E3CTFT-3396	32"	33"	96"
<b>Nominal 21" Deep</b>				<b>Nominal 36" Deep</b>			
E3CTFT-2142	20"	21"	42"	E3CTFT-3642	35"	36"	42"
E3CTFT-2148	20"	21"	48"	E3CTFT-3648	35"	36"	48"
E3CTFT-2160	20"	21"	60"	E3CTFT-3660	35"	36"	60"
E3CTFT-2172	20"	21"	72"	E3CTFT-3672	35"	36"	72"
E3CTFT-2184	20"	21"	84"	E3CTFT-3684	35"	36"	84"
E3CTFT-2196	20"	21"	96"	E3CTFT-3696	35"	36"	96"
<b>Nominal 24" Deep</b>							
E3CTFT-2442	23"	24"	42"				
E3CTFT-2448	23"	24"	48"				
E3CTFT-2460	23"	24"	60"				
E3CTFT-2472	23"	24"	72"				
E3CTFT-2484	23"	24"	84"				
E3CTFT-2496	23"	24"	96"				

## Envision 3.0 - Bolt-On and Table - 6" Uprights Double Sided



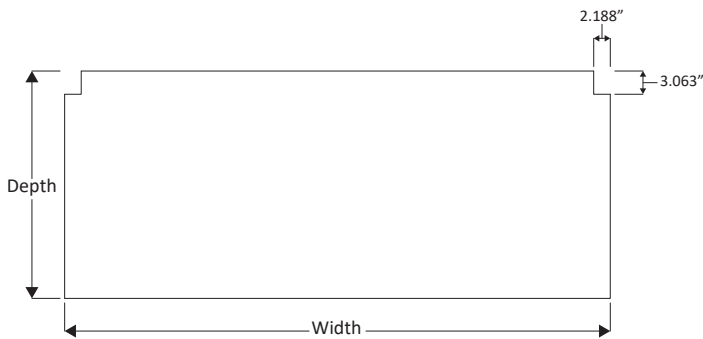
- Envision 3.0 Bolt-On Frames are to be attached to any Envision 3.0 uprights
- Only (1) Bolt-On Frame can be attached to a 3" upright
- (2) Bolt-On Frames can be attached to 6" uprights to make a double sided workstation
- Adjustable Height work surface frame from 30 1/4" - 36 1/4", in 2" increments
- For Stainless Steel, contact your ICI Representative
- Work Surface depth details for Side B listed on previous page
- Work Surface depth details for Side A listed below see page 28 for work surface part numbers

Example of Envision 3.0, 6" Upright Double Sided Workstation with (1) Bolt-on and (1) Table

Bolt-on Frame Cat. No.	Depth of Bolt-on Frame (D1)	Nominal Depth of Bolt-on Frame (D2)	Depth of Work Surface with 6" Notch (D3)	Width
<b>Nominal 21" Deep</b>				
E3CTFB-2142	20"	21"	27"	42"
E3CTFB-2148	20"	21"	27"	48"
E3CTFB-2160	20"	21"	27"	60"
E3CTFB-2172	20"	21"	27"	72"
E3CTFB-2184	20"	21"	27"	84"
E3CTFB-2196	20"	21"	27"	96"
<b>Nominal 24" Deep</b>				
E3CTFB-2442	23"	24"	30"	42"
E3CTFB-2448	23"	24"	30"	48"
E3CTFB-2460	23"	24"	30"	60"
E3CTFB-2472	23"	24"	30"	72"
E3CTFB-2484	23"	24"	30"	84"
E3CTFB-2496	23"	24"	30"	96"
<b>Nominal 27" Deep</b>				
E3CTFB-2742	26"	27"	33"	42"
E3CTFB-2748	26"	27"	33"	48"
E3CTFB-2760	26"	27"	33"	60"
E3CTFB-2772	26"	27"	33"	72"
E3CTFB-2784	26"	27"	33"	84"
E3CTFB-2796	26"	27"	33"	96"
<b>Nominal 30" Deep</b>				
E3CTFB-3042	29"	30"	36"	42"
E3CTFB-3048	29"	30"	36"	48"
E3CTFB-3060	29"	30"	36"	60"
E3CTFB-3072	29"	30"	36"	72"
E3CTFB-3084	29"	30"	36"	84"
E3CTFB-3096	29"	30"	36"	96"

# Envision 3.0

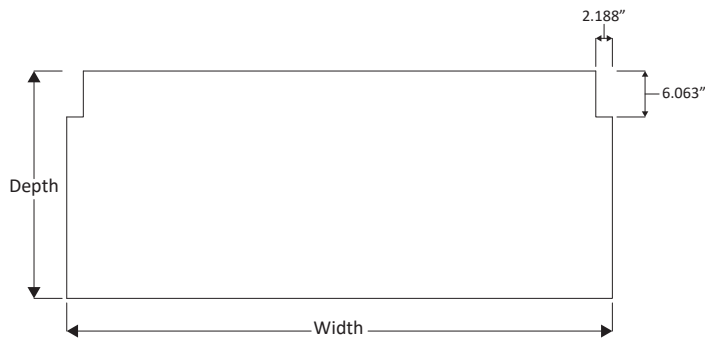
## Envision 3.0 - 3" Upright Notched Work Surface



- This work surface is to be used with Envision 3.0, 3" upright or (2) ea on a 6" double sided upright

Epoxy	Cat. No. Phenolic	Stainless Steel	Width
<b>24" Deep Top</b>			
E3CT1ER3-2442	E3CT1PH3-2442	E3CT1SS3-2442	42"
E3CT1ER3-2448	E3CT1PH3-2448	E3CT1SS3-2448	48"
E3CT1ER3-2460	E3CT1PH3-2460	E3CT1SS3-2460	60"
E3CT1ER3-2472	E3CT1PH3-2472	E3CT1SS3-2472	72"
E3CT1ER3-2484	E3CT1PH3-2484	E3CT1SS3-2484	84"
E3CT1ER3-2496	E3CT1PH3-2496	E3CT1SS3-2496	96"
<b>27" Deep Top</b>			
E3CT1ER3-2742	E3CT1PH3-2742	E3CT1SS3-2742	42"
E3CT1ER3-2748	E3CT1PH3-2748	E3CT1SS3-2748	48"
E3CT1ER3-2760	E3CT1PH3-2760	E3CT1SS3-2760	60"
E3CT1ER3-2772	E3CT1PH3-2772	E3CT1SS3-2772	72"
E3CT1ER3-2784	E3CT1PH3-2784	E3CT1SS3-2784	84"
E3CT1ER3-2796	E3CT1PH3-2796	E3CT1SS3-2796	96"
<b>30" Deep Top</b>			
E3CT1ER3-3042	E3CT1PH3-3042	E3CT1SS3-3042	42"
E3CT1ER3-3048	E3CT1PH3-3048	E3CT1SS3-3048	48"
E3CT1ER3-3060	E3CT1PH3-3060	E3CT1SS3-3060	60"
E3CT1ER3-3072	E3CT1PH3-3072	E3CT1SS3-3072	72"
E3CT1ER3-3084	E3CT1PH3-3084	E3CT1SS3-3084	84"
E3CT1ER3-3096	E3CT1PH3-3096	E3CT1SS3-3096	96"
<b>33" Deep Top</b>			
E3CT1ER3-3342	E3CT1PH3-3342	E3CT1SS3-3342	42"
E3CT1ER3-3348	E3CT1PH3-3348	E3CT1SS3-3348	48"
E3CT1ER3-3360	E3CT1PH3-3360	E3CT1SS3-3360	60"
E3CT1ER3-3372	E3CT1PH3-3372	E3CT1SS3-3372	72"
E3CT1ER3-3384	E3CT1PH3-3384	E3CT1SS3-3384	84"
E3CT1ER3-3396	E3CT1PH3-3396	E3CT1SS3-3396	96"
<b>36" Deep Top</b>			
E3CT1ER3-3642	E3CT1PH3-3642	E3CT1SS3-3642	42"
E3CT1ER3-3648	E3CT1PH3-3648	E3CT1SS3-3648	48"
E3CT1ER3-3660	E3CT1PH3-3660	E3CT1SS3-3660	60"
E3CT1ER3-3672	E3CT1PH3-3672	E3CT1SS3-3672	72"
E3CT1ER3-3684	E3CT1PH3-3684	E3CT1SS3-3684	84"
E3CT1ER3-3696	E3CT1PH3-3696	E3CT1SS3-3696	96"

## Envision 3.0 - 6" Upright Notched Work Surface

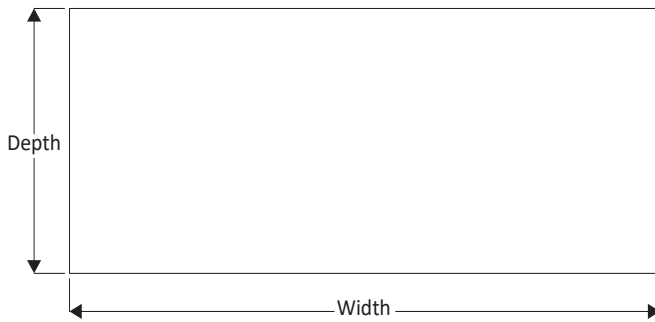


- This work surface is to be used with Envision 3.0, 6" upright

Epoxy	Cat. No. Phenolic	Stainless Steel	Width
<b>27" Deep Top</b>			
E3CT1ER6-2742	E3CT1PH6-2742	E3CT1SS6-2742	42"
E3CT1ER6-2748	E3CT1PH6-2748	E3CT1SS6-2748	48"
E3CT1ER6-2760	E3CT1PH6-2760	E3CT1SS6-2760	60"
E3CT1ER6-2772	E3CT1PH6-2772	E3CT1SS6-2772	72"
E3CT1ER6-2784	E3CT1PH6-2784	E3CT1SS6-2784	84"
E3CT1ER6-2796	E3CT1PH6-2796	E3CT1SS6-2796	96"
<b>30" Deep Top</b>			
E3CT1ER6-3042	E3CT1PH6-3042	E3CT1SS6-3042	42"
E3CT1ER6-3048	E3CT1PH6-3048	E3CT1SS6-3048	48"
E3CT1ER6-3060	E3CT1PH6-3060	E3CT1SS6-3060	60"
E3CT1ER6-3072	E3CT1PH6-3072	E3CT1SS6-3072	72"
E3CT1ER6-3084	E3CT1PH6-3084	E3CT1SS6-3084	84"
E3CT1ER6-3096	E3CT1PH6-3096	E3CT1SS6-3096	96"
<b>33" Deep Top</b>			
E3CT1ER6-3342	E3CT1PH6-3342	E3CT1SS6-3342	42"
E3CT1ER6-3348	E3CT1PH6-3348	E3CT1SS6-3348	48"
E3CT1ER6-3360	E3CT1PH6-3360	E3CT1SS6-3360	60"
E3CT1ER6-3372	E3CT1PH6-3372	E3CT1SS6-3372	72"
E3CT1ER6-3384	E3CT1PH6-3384	E3CT1SS6-3384	84"
E3CT1ER6-3396	E3CT1PH6-3396	E3CT1SS6-3396	96"
<b>36" Deep Top</b>			
E3CT1ER6-3642	E3CT1PH6-3642	E3CT1SS6-3642	42"
E3CT1ER6-3648	E3CT1PH6-3648	E3CT1SS6-3648	48"
E3CT1ER6-3660	E3CT1PH6-3660	E3CT1SS6-3660	60"
E3CT1ER6-3672	E3CT1PH6-3672	E3CT1SS6-3672	72"
E3CT1ER6-3684	E3CT1PH6-3684	E3CT1SS6-3684	84"
E3CT1ER6-3696	E3CT1PH6-3696	E3CT1SS6-3696	96"

# Envision 3.0

## Envision 3.0 - No Notch Work Surface

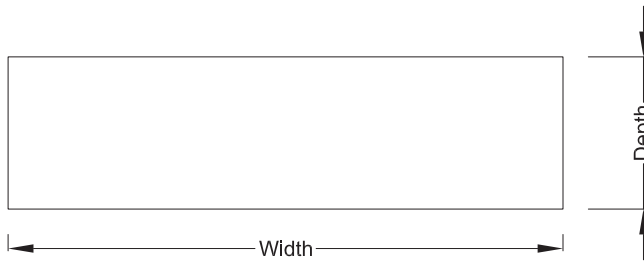


- This work surface is to be used with an Envision 3.0 Table

15" Deep Top				27" Deep Top			
Epoxy	Cat. No. Phenolic	Stainless Steel	Width	Epoxy	Cat. No. Phenolic	Stainless Steel	Width
E3CT1ERT-1542	E3CT1PHT-1542	E3CT1SST-1542	42"	E3CT1ERT-2742	E3CT1PHT-2742	E3CT1SST-2742	42"
E3CT1ERT-1548	E3CT1PHT-1548	E3CT1SST-1548	48"	E3CT1ERT-2748	E3CT1PHT-2748	E3CT1SST-2748	48"
E3CT1ERT-1560	E3CT1PHT-1560	E3CT1SST-1560	60"	E3CT1ERT-2760	E3CT1PHT-2760	E3CT1SST-2760	60"
E3CT1ERT-1572	E3CT1PHT-1572	E3CT1SST-1572	72"	E3CT1ERT-2772	E3CT1PHT-2772	E3CT1SST-2772	72"
E3CT1ERT-1584	E3CT1PHT-1584	E3CT1SST-1584	84"	E3CT1ERT-2784	E3CT1PHT-2784	E3CT1SST-2784	84"
E3CT1ERT-1596	E3CT1PHT-1596	E3CT1SST-1596	96"	E3CT1ERT-2796	E3CT1PHT-2796	E3CT1SST-2796	96"
18" Deep Top				30" Deep Top			
E3CT1ERT-1842	E3CT1PHT-1842	E3CT1SST-1842	42"	E3CT1ERT-3042	E3CT1PHT-3042	E3CT1SST-3042	42"
E3CT1ERT-1848	E3CT1PHT-1848	E3CT1SST-1848	48"	E3CT1ERT-3048	E3CT1PHT-3048	E3CT1SST-3048	48"
E3CT1ERT-1860	E3CT1PHT-1860	E3CT1SST-1860	60"	E3CT1ERT-3060	E3CT1PHT-3060	E3CT1SST-3060	60"
E3CT1ERT-1872	E3CT1PHT-1872	E3CT1SST-1872	72"	E3CT1ERT-3072	E3CT1PHT-3072	E3CT1SST-3072	72"
E3CT1ERT-1884	E3CT1PHT-1884	E3CT1SST-1884	84"	E3CT1ERT-3084	E3CT1PHT-3084	E3CT1SST-3084	84"
E3CT1ERT-1896	E3CT1PHT-1896	E3CT1SST-1896	96"	E3CT1ERT-3096	E3CT1PHT-3096	E3CT1SST-3096	96"
19" Deep Top				33" Deep Top			
E3CT1ERT-1942	E3CT1PHT-1942	E3CT1SST-1942	42"	E3CT1ERT-3342	E3CT1PHT-3342	E3CT1SST-3342	42"
E3CT1ERT-1948	E3CT1PHT-1948	E3CT1SST-1948	48"	E3CT1ERT-3348	E3CT1PHT-3348	E3CT1SST-3348	48"
E3CT1ERT-1960	E3CT1PHT-1960	E3CT1SST-1960	60"	E3CT1ERT-3360	E3CT1PHT-3360	E3CT1SST-3360	60"
E3CT1ERT-1972	E3CT1PHT-1972	E3CT1SST-1972	72"	E3CT1ERT-3372	E3CT1PHT-3372	E3CT1SST-3372	72"
E3CT1ERT-1984	E3CT1PHT-1984	E3CT1SST-1984	84"	E3CT1ERT-3384	E3CT1PHT-3384	E3CT1SST-3384	84"
E3CT1ERT-1996	E3CT1PHT-1996	E3CT1SST-1996	96"	E3CT1ERT-3396	E3CT1PHT-3396	E3CT1SST-3396	96"
21" Deep Top				36" Deep Top			
E3CT1ERT-2142	E3CT1PHT-2142	E3CT1SST-2142	42"	E3CT1ERT-3642	E3CT1PHT-3642	E3CT1SST-3642	42"
E3CT1ERT-2148	E3CT1PHT-2148	E3CT1SST-2148	48"	E3CT1ERT-3648	E3CT1PHT-3648	E3CT1SST-3648	48"
E3CT1ERT-2160	E3CT1PHT-2160	E3CT1SST-2160	60"	E3CT1ERT-3660	E3CT1PHT-3660	E3CT1SST-3660	60"
E3CT1ERT-2172	E3CT1PHT-2172	E3CT1SST-2172	72"	E3CT1ERT-3672	E3CT1PHT-3672	E3CT1SST-3672	72"
E3CT1ERT-2184	E3CT1PHT-2184	E3CT1SST-2184	84"	E3CT1ERT-3684	E3CT1PHT-3684	E3CT1SST-3684	84"
E3CT1ERT-2196	E3CT1PHT-2196	E3CT1SST-2196	96"	E3CT1ERT-3696	E3CT1PHT-3696	E3CT1SST-3696	96"
24" Deep Top							
E3CT1ERT-2442	E3CT1PHT-2442	E3CT1SST-2442	42"				
E3CT1ERT-2448	E3CT1PHT-2448	E3CT1SST-2448	48"				
E3CT1ERT-2460	E3CT1PHT-2460	E3CT1SST-2460	60"				
E3CT1ERT-2472	E3CT1PHT-2472	E3CT1SST-2472	72"				
E3CT1ERT-2484	E3CT1PHT-2484	E3CT1SST-2484	84"				
E3CT1ERT-2496	E3CT1PHT-2496	E3CT1SST-2496	96"				



## Envision 3.0 - .75" Thick Shelving - No Rear Rod Cutout

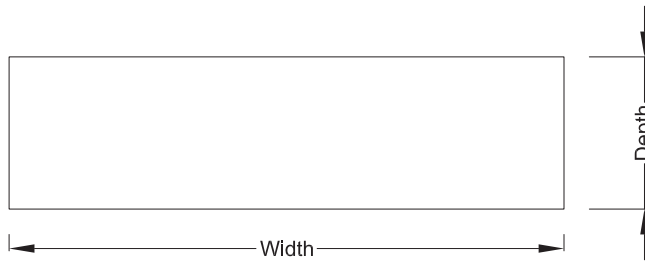


- These shelves to be used with Envision 3.0 brackets
- Each part number includes (1) shelf. If purchasing shelves for 60" uprights or wider you must order (2) shelves

Epoxy	Cat. No. Phenolic	Painted Steel	Stainless Steel	Wood - Maple	Wood - Oak	Actual Width	For Use With:
<b>9.5" Deep</b>							
E3S75ER-9542	E3S75PH-9542	E3S75MS-9542	E3S75SS-9542	E3S75WM-9542	E3S75WO-9542	37.75"	42" Wide Upright
E3S75ER-9548	E3S75PH-9548	E3S75MS-9548	E3S75SS-9548	E3S75WM-9548	E3S75WO-9548	43.75"	48" Wide Upright
E3S75ER-9560	E3S75PH-9560	E3S75MS-9560	E3S75SS-9560	E3S75WM-9560	E3S75WO-9560	26.75"	60" Wide Upright
E3S75ER-9572	E3S75PH-9572	E3S75MS-9572	E3S75SS-9572	E3S75WM-9572	E3S75WO-9572	32.75"	72" Wide Upright
E3S75ER-9584	E3S75PH-9584	E3S75MS-9584	E3S75SS-9584	E3S75WM-9584	E3S75WO-9584	38.75"	84" Wide Upright
E3S75ER-9596	E3S75PH-9596	E3S75MS-9596	E3S75SS-9596	E3S75WM-9596	E3S75WO-9596	44.75"	96" Wide Upright
<b>12" Deep</b>							
E3S75ER-1242	E3S75PH-1242	E3S75MS-1242	E3S75SS-1242	E3S75WM-1242	E3S75WO-1242	37.75"	42" Wide Upright
E3S75ER-1248	E3S75PH-1248	E3S75MS-1248	E3S75SS-1248	E3S75WM-1248	E3S75WO-1248	43.75"	48" Wide Upright
E3S75ER-1260	E3S75PH-1260	E3S75MS-1260	E3S75SS-1260	E3S75WM-1260	E3S75WO-1260	26.75"	60" Wide Upright
E3S75ER-1272	E3S75PH-1272	E3S75MS-1272	E3S75SS-1272	E3S75WM-1272	E3S75WO-1272	32.75"	72" Wide Upright
E3S75ER-1284	E3S75PH-1284	E3S75MS-1284	E3S75SS-1284	E3S75WM-1284	E3S75WO-1284	38.75"	84" Wide Upright
E3S75ER-1296	E3S75PH-1296	E3S75MS-1296	E3S75SS-1296	E3S75WM-1296	E3S75WO-1296	44.75"	96" Wide Upright
<b>13" Deep</b>							
E3S75ER-1342	E3S75PH-1342	E3S75MS-1342	E3S75SS-1342	E3S75WM-1342	E3S75WO-1342	37.75"	42" Wide Upright
E3S75ER-1348	E3S75PH-1348	E3S75MS-1348	E3S75SS-1348	E3S75WM-1348	E3S75WO-1348	43.75"	48" Wide Upright
E3S75ER-1360	E3S75PH-1360	E3S75MS-1360	E3S75SS-1360	E3S75WM-1360	E3S75WO-1360	26.75"	60" Wide Upright
E3S75ER-1372	E3S75PH-1372	E3S75MS-1372	E3S75SS-1372	E3S75WM-1372	E3S75WO-1372	32.75"	72" Wide Upright
E3S75ER-1384	E3S75PH-1384	E3S75MS-1384	E3S75SS-1384	E3S75WM-1384	E3S75WO-1384	38.75"	84" Wide Upright
E3S75ER-1396	E3S75PH-1396	E3S75MS-1396	E3S75SS-1396	E3S75WM-1396	E3S75WO-1396	44.75"	96" Wide Upright
<b>15" Deep</b>							
E3S75ER-1542	E3S75PH-1542	E3S75MS-1542	E3S75SS-1542	E3S75WM-1542	E3S75WO-1542	37.75"	42" Wide Upright
E3S75ER-1548	E3S75PH-1548	E3S75MS-1548	E3S75SS-1548	E3S75WM-1548	E3S75WO-1548	43.75"	48" Wide Upright
E3S75ER-1560	E3S75PH-1560	E3S75MS-1560	E3S75SS-1560	E3S75WM-1560	E3S75WO-1560	26.75"	60" Wide Upright
E3S75ER-1572	E3S75PH-1572	E3S75MS-1572	E3S75SS-1572	E3S75WM-1572	E3S75WO-1572	32.75"	72" Wide Upright
E3S75ER-1584	E3S75PH-1584	E3S75MS-1584	E3S75SS-1584	E3S75WM-1584	E3S75WO-1584	38.75"	84" Wide Upright
E3S75ER-1596	E3S75PH-1596	E3S75MS-1596	E3S75SS-1596	E3S75WM-1596	E3S75WO-1596	44.75"	96" Wide Upright
<b>16" Deep</b>							
E3S75ER-1642	E3S75PH-1642	E3S75MS-1642	E3S75SS-1642	E3S75WM-1642	E3S75WO-1642	37.75"	42" Wide Upright
E3S75ER-1648	E3S75PH-1648	E3S75MS-1648	E3S75SS-1648	E3S75WM-1648	E3S75WO-1648	43.75"	48" Wide Upright
E3S75ER-1660	E3S75PH-1660	E3S75MS-1660	E3S75SS-1660	E3S75WM-1660	E3S75WO-1660	26.75"	60" Wide Upright
E3S75ER-1672	E3S75PH-1672	E3S75MS-1672	E3S75SS-1672	E3S75WM-1672	E3S75WO-1672	32.75"	72" Wide Upright
E3S75ER-1684	E3S75PH-1684	E3S75MS-1684	E3S75SS-1684	E3S75WM-1684	E3S75WO-1684	38.75"	84" Wide Upright
E3S75ER-1696	E3S75PH-1696	E3S75MS-1696	E3S75SS-1696	E3S75WM-1696	E3S75WO-1696	44.75"	96" Wide Upright
<b>18" Deep</b>							
E3S75ER-1842	E3S75PH-1842	E3S75MS-1842	E3S75SS-1842	E3S75WM-1842	E3S75WO-1842	37.75"	42" Wide Upright
E3S75ER-1848	E3S75PH-1848	E3S75MS-1848	E3S75SS-1848	E3S75WM-1848	E3S75WO-1848	43.75"	48" Wide Upright
E3S75ER-1860	E3S75PH-1860	E3S75MS-1860	E3S75SS-1860	E3S75WM-1860	E3S75WO-1860	26.75"	60" Wide Upright
E3S75ER-1872	E3S75PH-1872	E3S75MS-1872	E3S75SS-1872	E3S75WM-1872	E3S75WO-1872	32.75"	72" Wide Upright
E3S75ER-1884	E3S75PH-1884	E3S75MS-1884	E3S75SS-1884	E3S75WM-1884	E3S75WO-1884	38.75"	84" Wide Upright
E3S75ER-1896	E3S75PH-1896	E3S75MS-1896	E3S75SS-1896	E3S75WM-1896	E3S75WO-1896	44.75"	96" Wide Upright

# Envision 3.0

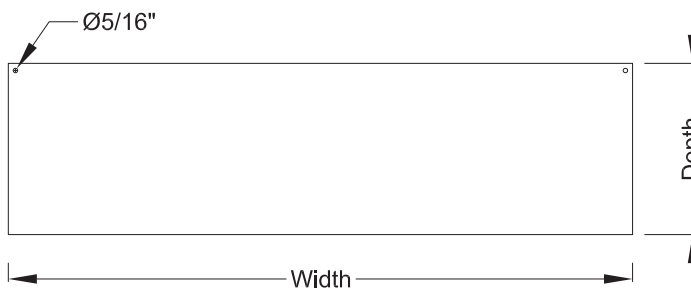
## Envision 3.0 - 1" Thick Shelving - No Rear Rod Cutout



- These shelves to be used with Envision 3.0 brackets
- Each part number includes (1) shelf. If purchasing shelves for 60" uprights or wider you must order (2) shelves

Epoxy	Cat. No.		Painted Steel	Stainless Steel	Wood - Maple	Wood - Oak	Actual Width	For Use With:
	Phenolic							
<b>9.5" Deep</b>								
E3S1ER-9542	E3S1PH-9542	E3S1MS-9542	E3S1SS-9542	E3S1WM-9542	E3S1WO-9542	37.75"	42" Wide Upright	
E3S1ER-9548	E3S1PH-9548	E3S1MS-9548	E3S1SS-9548	E3S1WM-9548	E3S1WO-9548	43.75"	48" Wide Upright	
E3S1ER-9560	E3S1PH-9560	E3S1MS-9560	E3S1SS-9560	E3S1WM-9560	E3S1WO-9560	26.75"	60" Wide Upright	
E3S1ER-9572	E3S1PH-9572	E3S1MS-9572	E3S1SS-9572	E3S1WM-9572	E3S1WO-9572	32.75"	72" Wide Upright	
E3S1ER-9584	E3S1PH-9584	E3S1MS-9584	E3S1SS-9584	E3S1WM-9584	E3S1WO-9584	38.75"	84" Wide Upright	
E3S1ER-9596	E3S1PH-9596	E3S1MS-9596	E3S1SS-9596	E3S1WM-9596	E3S1WO-9596	44.75"	96" Wide Upright	
<b>12" Deep</b>								
E3S1ER-1242	E3S1PH-1242	E3S1MS-1242	E3S1SS-1242	E3S1WM-1242	E3S1WO-1242	37.75"	42" Wide Upright	
E3S1ER-1248	E3S1PH-1248	E3S1MS-1248	E3S1SS-1248	E3S1WM-1248	E3S1WO-1248	43.75"	48" Wide Upright	
E3S1ER-1260	E3S1PH-1260	E3S1MS-1260	E3S1SS-1260	E3S1WM-1260	E3S1WO-1260	26.75"	60" Wide Upright	
E3S1ER-1272	E3S1PH-1272	E3S1MS-1272	E3S1SS-1272	E3S1WM-1272	E3S1WO-1272	32.75"	72" Wide Upright	
E3S1ER-1284	E3S1PH-1284	E3S1MS-1284	E3S1SS-1284	E3S1WM-1284	E3S1WO-1284	38.75"	84" Wide Upright	
E3S1ER-1296	E3S1PH-1296	E3S1MS-1296	E3S1SS-1296	E3S1WM-1296	E3S1WO-1296	44.75"	96" Wide Upright	
<b>13" Deep</b>								
E3S1ER-1342	E3S1PH-1342	E3S1MS-1342	E3S1SS-1342	E3S1WM-1342	E3S1WO-1342	37.75"	42" Wide Upright	
E3S1ER-1348	E3S1PH-1348	E3S1MS-1348	E3S1SS-1348	E3S1WM-1348	E3S1WO-1348	43.75"	48" Wide Upright	
E3S1ER-1360	E3S1PH-1360	E3S1MS-1360	E3S1SS-1360	E3S1WM-1360	E3S1WO-1360	26.75"	60" Wide Upright	
E3S1ER-1372	E3S1PH-1372	E3S1MS-1372	E3S1SS-1372	E3S1WM-1372	E3S1WO-1372	32.75"	72" Wide Upright	
E3S1ER-1384	E3S1PH-1384	E3S1MS-1384	E3S1SS-1384	E3S1WM-1384	E3S1WO-1384	38.75"	84" Wide Upright	
E3S1ER-1396	E3S1PH-1396	E3S1MS-1396	E3S1SS-1396	E3S1WM-1396	E3S1WO-1396	44.75"	96" Wide Upright	
<b>15" Deep</b>								
E3S1ER-1542	E3S1PH-1542	E3S1MS-1542	E3S1SS-1542	E3S1WM-1542	E3S1WO-1542	37.75"	42" Wide Upright	
E3S1ER-1548	E3S1PH-1548	E3S1MS-1548	E3S1SS-1548	E3S1WM-1548	E3S1WO-1548	43.75"	48" Wide Upright	
E3S1ER-1560	E3S1PH-1560	E3S1MS-1560	E3S1SS-1560	E3S1WM-1560	E3S1WO-1560	26.75"	60" Wide Upright	
E3S1ER-1572	E3S1PH-1572	E3S1MS-1572	E3S1SS-1572	E3S1WM-1572	E3S1WO-1572	32.75"	72" Wide Upright	
E3S1ER-1584	E3S1PH-1584	E3S1MS-1584	E3S1SS-1584	E3S1WM-1584	E3S1WO-1584	38.75"	84" Wide Upright	
E3S1ER-1596	E3S1PH-1596	E3S1MS-1596	E3S1SS-1596	E3S1WM-1596	E3S1WO-1596	44.75"	96" Wide Upright	
<b>16" Deep</b>								
E3S1ER-1642	E3S1PH-1642	E3S1MS-1642	E3S1SS-1642	E3S1WM-1642	E3S1WO-1642	37.75"	42" Wide Upright	
E3S1ER-1648	E3S1PH-1648	E3S1MS-1648	E3S1SS-1648	E3S1WM-1648	E3S1WO-1648	43.75"	48" Wide Upright	
E3S1ER-1660	E3S1PH-1660	E3S1MS-1660	E3S1SS-1660	E3S1WM-1660	E3S1WO-1660	26.75"	60" Wide Upright	
E3S1ER-1672	E3S1PH-1672	E3S1MS-1672	E3S1SS-1672	E3S1WM-1672	E3S1WO-1672	32.75"	72" Wide Upright	
E3S1ER-1684	E3S1PH-1684	E3S1MS-1684	E3S1SS-1684	E3S1WM-1684	E3S1WO-1684	38.75"	84" Wide Upright	
E3S1ER-1696	E3S1PH-1696	E3S1MS-1696	E3S1SS-1696	E3S1WM-1696	E3S1WO-1696	44.75"	96" Wide Upright	
<b>18" Deep</b>								
E3S1ER-1842	E3S1PH-1842	E3S1MS-1842	E3S1SS-1842	E3S1WM-1842	E3S1WO-1842	37.75"	42" Wide Upright	
E3S1ER-1848	E3S1PH-1848	E3S1MS-1848	E3S1SS-1848	E3S1WM-1848	E3S1WO-1848	43.75"	48" Wide Upright	
E3S1ER-1860	E3S1PH-1860	E3S1MS-1860	E3S1SS-1860	E3S1WM-1860	E3S1WO-1860	26.75"	60" Wide Upright	
E3S1ER-1872	E3S1PH-1872	E3S1MS-1872	E3S1SS-1872	E3S1WM-1872	E3S1WO-1872	32.75"	72" Wide Upright	
E3S1ER-1884	E3S1PH-1884	E3S1MS-1884	E3S1SS-1884	E3S1WM-1884	E3S1WO-1884	38.75"	84" Wide Upright	
E3S1ER-1896	E3S1PH-1896	E3S1MS-1896	E3S1SS-1896	E3S1WM-1896	E3S1WO-1896	44.75"	96" Wide Upright	

## Envision 3.0 - .75" Thick Shelving with Cutouts for Rear Rod

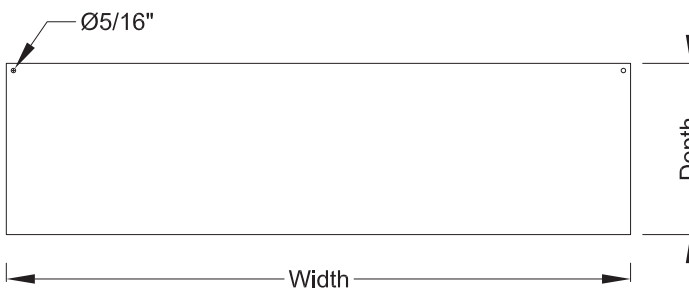


- These shelves to be used with Envision 3.0 brackets
- Each part number includes (1) shelf. If purchasing shelves for 60" uprights or wider you must order (2) shelves
- These shelves include cutouts for rear rod

Epoxy	Cat. No. Phenolic	Painted Steel	Stainless Steel	Wood - Maple	Wood - Oak	Actual Width	For Use With:
<b>9.5" Deep</b>							
E3S75ERR-9542	E3S75PHR-9542	E3S75MSR-9542	E3S75SSR-9542	E3S75WMR-9542	E3S75WOR-9542	37.75"	42" Wide Upright
E3S75ERR-9548	E3S75PHR-9548	E3S75MSR-9548	E3S75SSR-9548	E3S75WMR-9548	E3S75WOR-9548	43.75"	48" Wide Upright
E3S75ERR-9560	E3S75PHR-9560	E3S75MSR-9560	E3S75SSR-9560	E3S75WMR-9560	E3S75WOR-9560	26.75"	60" Wide Upright
E3S75ERR-9572	E3S75PHR-9572	E3S75MSR-9572	E3S75SSR-9572	E3S75WMR-9572	E3S75WOR-9572	32.75"	72" Wide Upright
E3S75ERR-9584	E3S75PHR-9584	E3S75MSR-9584	E3S75SSR-9584	E3S75WMR-9584	E3S75WOR-9584	38.75"	84" Wide Upright
E3S75ERR-9596	E3S75PHR-9596	E3S75MSR-9596	E3S75SSR-9596	E3S75WMR-9596	E3S75WOR-9596	44.75"	96" Wide Upright
<b>12" Deep</b>							
E3S75ERR-1242	E3S75PHR-1242	E3S75MSR-1242	E3S75SSR-1242	E3S75WMR-1242	E3S75WOR-1242	37.75"	42" Wide Upright
E3S75ERR-1248	E3S75PHR-1248	E3S75MSR-1248	E3S75SSR-1248	E3S75WMR-1248	E3S75WOR-1248	43.75"	48" Wide Upright
E3S75ERR-1260	E3S75PHR-1260	E3S75MSR-1260	E3S75SSR-1260	E3S75WMR-1260	E3S75WOR-1260	26.75"	60" Wide Upright
E3S75ERR-1272	E3S75PHR-1272	E3S75MSR-1272	E3S75SSR-1272	E3S75WMR-1272	E3S75WOR-1272	32.75"	72" Wide Upright
E3S75ERR-1284	E3S75PHR-1284	E3S75MSR-1284	E3S75SSR-1284	E3S75WMR-1284	E3S75WOR-1284	38.75"	84" Wide Upright
E3S75ERR-1296	E3S75PHR-1296	E3S75MSR-1296	E3S75SSR-1296	E3S75WMR-1296	E3S75WOR-1296	44.75"	96" Wide Upright
<b>13" Deep</b>							
E3S75ERR-1342	E3S75PHR-1342	E3S75MSR-1342	E3S75SSR-1342	E3S75WMR-1342	E3S75WOR-1342	37.75"	42" Wide Upright
E3S75ERR-1348	E3S75PHR-1348	E3S75MSR-1348	E3S75SSR-1348	E3S75WMR-1348	E3S75WOR-1348	43.75"	48" Wide Upright
E3S75ERR-1360	E3S75PHR-1360	E3S75MSR-1360	E3S75SSR-1360	E3S75WMR-1360	E3S75WOR-1360	26.75"	60" Wide Upright
E3S75ERR-1372	E3S75PHR-1372	E3S75MSR-1372	E3S75SSR-1372	E3S75WMR-1372	E3S75WOR-1372	32.75"	72" Wide Upright
E3S75ERR-1384	E3S75PHR-1384	E3S75MSR-1384	E3S75SSR-1384	E3S75WMR-1384	E3S75WOR-1384	38.75"	84" Wide Upright
E3S75ERR-1396	E3S75PHR-1396	E3S75MSR-1396	E3S75SSR-1396	E3S75WMR-1396	E3S75WOR-1396	44.75"	96" Wide Upright
<b>15" Deep</b>							
E3S75ERR-1542	E3S75PHR-1542	E3S75MSR-1542	E3S75SSR-1542	E3S75WMR-1542	E3S75WOR-1542	37.75"	42" Wide Upright
E3S75ERR-1548	E3S75PHR-1548	E3S75MSR-1548	E3S75SSR-1548	E3S75WMR-1548	E3S75WOR-1548	43.75"	48" Wide Upright
E3S75ERR-1560	E3S75PHR-1560	E3S75MSR-1560	E3S75SSR-1560	E3S75WMR-1560	E3S75WOR-1560	26.75"	60" Wide Upright
E3S75ERR-1572	E3S75PHR-1572	E3S75MSR-1572	E3S75SSR-1572	E3S75WMR-1572	E3S75WOR-1572	32.75"	72" Wide Upright
E3S75ERR-1584	E3S75PHR-1584	E3S75MSR-1584	E3S75SSR-1584	E3S75WMR-1584	E3S75WOR-1584	38.75"	84" Wide Upright
E3S75ERR-1596	E3S75PHR-1596	E3S75MSR-1596	E3S75SSR-1596	E3S75WMR-1596	E3S75WOR-1596	44.75"	96" Wide Upright
<b>16" Deep</b>							
E3S75ERR-1642	E3S75PHR-1642	E3S75MSR-1642	E3S75SSR-1642	E3S75WMR-1642	E3S75WOR-1642	37.75"	42" Wide Upright
E3S75ERR-1648	E3S75PHR-1648	E3S75MSR-1648	E3S75SSR-1648	E3S75WMR-1648	E3S75WOR-1648	43.75"	48" Wide Upright
E3S75ERR-1660	E3S75PHR-1660	E3S75MSR-1660	E3S75SSR-1660	E3S75WMR-1660	E3S75WOR-1660	26.75"	60" Wide Upright
E3S75ERR-1672	E3S75PHR-1672	E3S75MSR-1672	E3S75SSR-1672	E3S75WMR-1672	E3S75WOR-1672	32.75"	72" Wide Upright
E3S75ERR-1684	E3S75PHR-1684	E3S75MSR-1684	E3S75SSR-1684	E3S75WMR-1684	E3S75WOR-1684	38.75"	84" Wide Upright
E3S75ERR-1696	E3S75PHR-1696	E3S75MSR-1696	E3S75SSR-1696	E3S75WMR-1696	E3S75WOR-1696	44.75"	96" Wide Upright
<b>18" Deep</b>							
E3S75ERR-1842	E3S75PHR-1842	E3S75MSR-1842	E3S75SSR-1842	E3S75WMR-1842	E3S75WOR-1842	37.75"	42" Wide Upright
E3S75ERR-1848	E3S75PHR-1848	E3S75MSR-1848	E3S75SSR-1848	E3S75WMR-1848	E3S75WOR-1848	43.75"	48" Wide Upright
E3S75ERR-1860	E3S75PHR-1860	E3S75MSR-1860	E3S75SSR-1860	E3S75WMR-1860	E3S75WOR-1860	26.75"	60" Wide Upright
E3S75ERR-1872	E3S75PHR-1872	E3S75MSR-1872	E3S75SSR-1872	E3S75WMR-1872	E3S75WOR-1872	32.75"	72" Wide Upright
E3S75ERR-1884	E3S75PHR-1884	E3S75MSR-1884	E3S75SSR-1884	E3S75WMR-1884	E3S75WOR-1884	38.75"	84" Wide Upright
E3S75ERR-1896	E3S75PHR-1896	E3S75MSR-1896	E3S75SSR-1896	E3S75WMR-1896	E3S75WOR-1896	44.75"	96" Wide Upright

# Envision 3.0

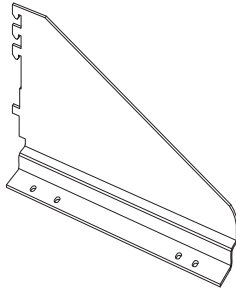
## Envision 3.0 - 1" Thick Shelving with Cutouts for Rear Rod



- These shelves to be used with Envision 3.0 brackets
- Each part number includes (1) shelf. If purchasing shelves for 60" uprights or wider you must order (2) shelves
- These shelves include cutouts for rear rod

Epoxy	Cat. No.		Painted Steel	Stainless Steel	Wood - Maple	Wood - Oak	Actual Width	For Use With:
	Phenolic							
<b>9.5" Deep</b>								
E3S1ERR-9542	E3S1PHR-9542	E3S1MSR-9542	E3S1SSR-9542	E3S1WMR-9542	E3S1WOR-9542	37.75"	42" Wide Upright	
E3S1ERR-9548	E3S1PHR-9548	E3S1MSR-9548	E3S1SSR-9548	E3S1WMR-9548	E3S1WOR-9548	43.75"	48" Wide Upright	
E3S1ERR-9560	E3S1PHR-9560	E3S1MSR-9560	E3S1SSR-9560	E3S1WMR-9560	E3S1WOR-9560	26.75"	60" Wide Upright	
E3S1ERR-9572	E3S1PHR-9572	E3S1MSR-9572	E3S1SSR-9572	E3S1WMR-9572	E3S1WOR-9572	32.75"	72" Wide Upright	
E3S1ERR-9584	E3S1PHR-9584	E3S1MSR-9584	E3S1SSR-9584	E3S1WMR-9584	E3S1WOR-9584	38.75"	84" Wide Upright	
E3S1ERR-9596	E3S1PHR-9596	E3S1MSR-9596	E3S1SSR-9596	E3S1WMR-9596	E3S1WOR-9596	44.75"	96" Wide Upright	
<b>12" Deep</b>								
E3S1ERR-1242	E3S1PHR-1242	E3S1MSR-1242	E3S1SSR-1242	E3S1WMR-1242	E3S1WOR-1242	37.75"	42" Wide Upright	
E3S1ERR-1248	E3S1PHR-1248	E3S1MSR-1248	E3S1SSR-1248	E3S1WMR-1248	E3S1WOR-1248	43.75"	48" Wide Upright	
E3S1ERR-1260	E3S1PHR-1260	E3S1MSR-1260	E3S1SSR-1260	E3S1WMR-1260	E3S1WOR-1260	26.75"	60" Wide Upright	
E3S1ERR-1272	E3S1PHR-1272	E3S1MSR-1272	E3S1SSR-1272	E3S1WMR-1272	E3S1WOR-1272	32.75"	72" Wide Upright	
E3S1ERR-1284	E3S1PHR-1284	E3S1MSR-1284	E3S1SSR-1284	E3S1WMR-1284	E3S1WOR-1284	38.75"	84" Wide Upright	
E3S1ERR-1296	E3S1PHR-1296	E3S1MSR-1296	E3S1SSR-1296	E3S1WMR-1296	E3S1WOR-1296	44.75"	96" Wide Upright	
<b>13" Deep</b>								
E3S1ERR-1342	E3S1PHR-1342	E3S1MSR-1342	E3S1SSR-1342	E3S1WMR-1342	E3S1WOR-1342	37.75"	42" Wide Upright	
E3S1ERR-1348	E3S1PHR-1348	E3S1MSR-1348	E3S1SSR-1348	E3S1WMR-1348	E3S1WOR-1348	43.75"	48" Wide Upright	
E3S1ERR-1360	E3S1PHR-1360	E3S1MSR-1360	E3S1SSR-1360	E3S1WMR-1360	E3S1WOR-1360	26.75"	60" Wide Upright	
E3S1ERR-1372	E3S1PHR-1372	E3S1MSR-1372	E3S1SSR-1372	E3S1WMR-1372	E3S1WOR-1372	32.75"	72" Wide Upright	
E3S1ERR-1384	E3S1PHR-1384	E3S1MSR-1384	E3S1SSR-1384	E3S1WMR-1384	E3S1WOR-1384	38.75"	84" Wide Upright	
E3S1ERR-1396	E3S1PHR-1396	E3S1MSR-1396	E3S1SSR-1396	E3S1WMR-1396	E3S1WOR-1396	44.75"	96" Wide Upright	
<b>15" Deep</b>								
E3S1ERR-1542	E3S1PHR-1542	E3S1MSR-1542	E3S1SSR-1542	E3S1WMR-1542	E3S1WOR-1542	37.75"	42" Wide Upright	
E3S1ERR-1548	E3S1PHR-1548	E3S1MSR-1548	E3S1SSR-1548	E3S1WMR-1548	E3S1WOR-1548	43.75"	48" Wide Upright	
E3S1ERR-1560	E3S1PHR-1560	E3S1MSR-1560	E3S1SSR-1560	E3S1WMR-1560	E3S1WOR-1560	26.75"	60" Wide Upright	
E3S1ERR-1572	E3S1PHR-1572	E3S1MSR-1572	E3S1SSR-1572	E3S1WMR-1572	E3S1WOR-1572	32.75"	72" Wide Upright	
E3S1ERR-1584	E3S1PHR-1584	E3S1MSR-1584	E3S1SSR-1584	E3S1WMR-1584	E3S1WOR-1584	38.75"	84" Wide Upright	
E3S1ERR-1596	E3S1PHR-1596	E3S1MSR-1596	E3S1SSR-1596	E3S1WMR-1596	E3S1WOR-1596	44.75"	96" Wide Upright	
<b>16" Deep</b>								
E3S1ERR-1642	E3S1PHR-1642	E3S1MSR-1642	E3S1SSR-1642	E3S1WMR-1642	E3S1WOR-1642	37.75"	42" Wide Upright	
E3S1ERR-1648	E3S1PHR-1648	E3S1MSR-1648	E3S1SSR-1648	E3S1WMR-1648	E3S1WOR-1648	43.75"	48" Wide Upright	
E3S1ERR-1660	E3S1PHR-1660	E3S1MSR-1660	E3S1SSR-1660	E3S1WMR-1660	E3S1WOR-1660	26.75"	60" Wide Upright	
E3S1ERR-1672	E3S1PHR-1672	E3S1MSR-1672	E3S1SSR-1672	E3S1WMR-1672	E3S1WOR-1672	32.75"	72" Wide Upright	
E3S1ERR-1684	E3S1PHR-1684	E3S1MSR-1684	E3S1SSR-1684	E3S1WMR-1684	E3S1WOR-1684	38.75"	84" Wide Upright	
E3S1ERR-1696	E3S1PHR-1696	E3S1MSR-1696	E3S1SSR-1696	E3S1WMR-1696	E3S1WOR-1696	44.75"	96" Wide Upright	
<b>18" Deep</b>								
E3S1ERR-1842	E3S1PHR-1842	E3S1MSR-1842	E3S1SSR-1842	E3S1WMR-1842	E3S1WOR-1842	37.75"	42" Wide Upright	
E3S1ERR-1848	E3S1PHR-1848	E3S1MSR-1848	E3S1SSR-1848	E3S1WMR-1848	E3S1WOR-1848	43.75"	48" Wide Upright	
E3S1ERR-1860	E3S1PHR-1860	E3S1MSR-1860	E3S1SSR-1860	E3S1WMR-1860	E3S1WOR-1860	26.75"	60" Wide Upright	
E3S1ERR-1872	E3S1PHR-1872	E3S1MSR-1872	E3S1SSR-1872	E3S1WMR-1872	E3S1WOR-1872	32.75"	72" Wide Upright	
E3S1ERR-1884	E3S1PHR-1884	E3S1MSR-1884	E3S1SSR-1884	E3S1WMR-1884	E3S1WOR-1884	38.75"	84" Wide Upright	
E3S1ERR-1896	E3S1PHR-1896	E3S1MSR-1896	E3S1SSR-1896	E3S1WMR-1896	E3S1WOR-1896	44.75"	96" Wide Upright	

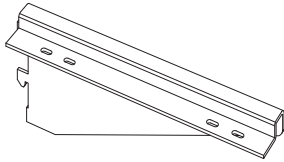
## Envision 3.0 - Bookend Brackets



- These brackets to be used with Envision 3.0 uprights
- Sold in pairs

Cat. No.		Depth
Painted Steel	Stainless Steel	
<b>.75" Thick Shelf</b>		
E3SBB75-9	E3SBB75-9S	9"
E3SBB75-12	E3SBB75-12S	12"
E3SBB75-15	E3SBB75-15S	15"
<b>1" Thick Shelf</b>		
E3SBB1-9	E3SBB1-9S	9"
E3SBB1-12	E3SBB1-12S	12"
E3SBB1-15	E3SBB1-15S	15"

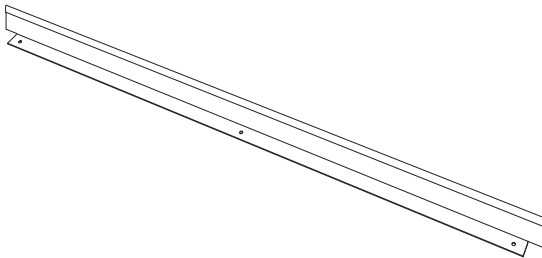
## Envision 3.0 - Inverted Brackets



- These brackets to be used with Envision 3.0 uprights
- Sold in pairs

Cat. No.		Depth
Painted Steel	Stainless Steel	
<b>.75" Thick Shelf</b>		
E3SBI75-9	E3SBI75-9S	9"
E3SBI75-12	E3SBI75-12S	12"
E3SBI75-15	E3SBI75-15S	15"
<b>1" Thick Shelf</b>		
E3SBI1-9	E3SBI1-9S	9"
E3SBI1-12	E3SBI1-12S	12"
E3SBI1-15	E3SBI1-15S	15"

## Envision 3.0 - Shelf Lip

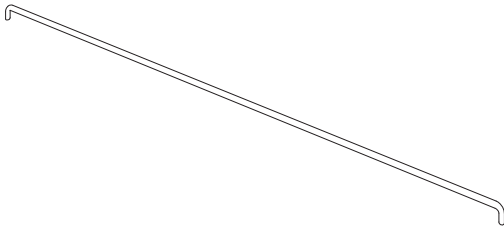


- These shelf lips to be used with Envision 3.0 shelves

Cat. No.		Width
Painted Steel	Stainless Steel	
<b>Shelf Lip Front Mount</b>		
E3SLF-42	E3SLF-42S	37.75"
E3SLF-48	E3SLF-48S	43.75"
E3SLF-60	E3SLF-60S	26.75"
E3SLF-72	E3SLF-72S	32.75"
E3SLF-84	E3SLF-84S	38.75"
E3SLF-96	E3SLF-96S	44.75"
<b>Shelf Lip Rear Mount</b>		
E3SLR-42	E3SLR-42S	37.75"
E3SLR-48	E3SLR-48S	43.75"
E3SLR-60	E3SLR-60S	26.75"
E3SLR-72	E3SLR-72S	32.75"
E3SLR-84	E3SLR-84S	38.75"
E3SLR-96	E3SLR-96S	44.75"

# Envision 3.0

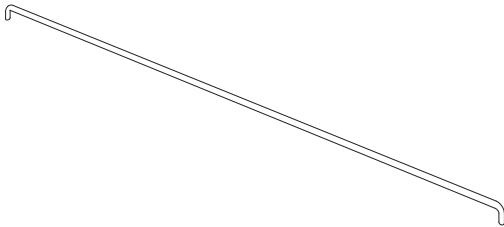
## Envision 3.0 - Front Shelf Rod



- These shelf rods to be used with Envision 3.0 shelves
- Each part number includes (1) front shelf rod. If purchasing shelf rods for 60" uprights or wider you must order (2) front shelf rods

Cat. No.		Width
Aluminum	Stainless Steel	
E3SRF-42	E3SRF-42S	38.875"
E3SRF-48	E3SRF-48S	44.875"
E3SRF-60	E3SRF-60S	27.875"
E3SRF-72	E3SRF-72S	33.875"
E3SRF-84	E3SRF-84S	39.875"
E3SRF-96	E3SRF-96S	45.875"

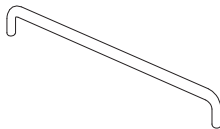
## Envision 3.0 - Rear Shelf Rod



- These shelf rods to be used with Envision 3.0 shelves
- Each part number includes (1) rear shelf rod. If purchasing shelf rods for 60" uprights or wider you must order (2) rear shelf rods

Cat. No.		Width
Aluminum	Stainless Steel	
E3SRR-42	E3SRR-42S	36.75"
E3SRR-48	E3SRR-48S	42.75"
E3SRR-60	E3SRR-60S	25.75"
E3SRR-72	E3SRR-72S	31.75"
E3SRR-84	E3SRR-84S	37.75"
E3SRR-96	E3SRR-96S	43.75"

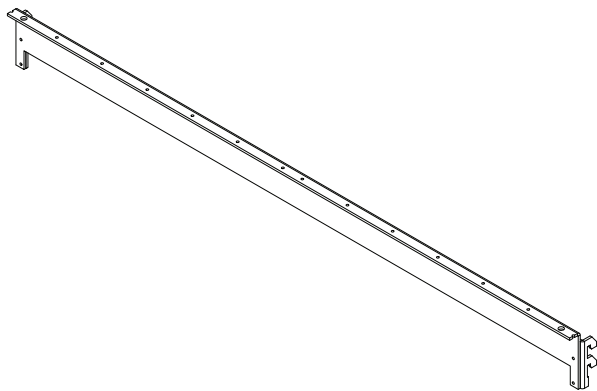
## Envision 3.0 - Side Shelf Rod



- These shelf rods to be used with Envision 3.0 shelves

Cat. No.		Depth
Aluminum	Stainless Steel	
E3SRS-9	E3SRS-9S	7"
E3SRS-12	E3SRS-12S	10"
E3SRS-15	E3SRS-15S	13"

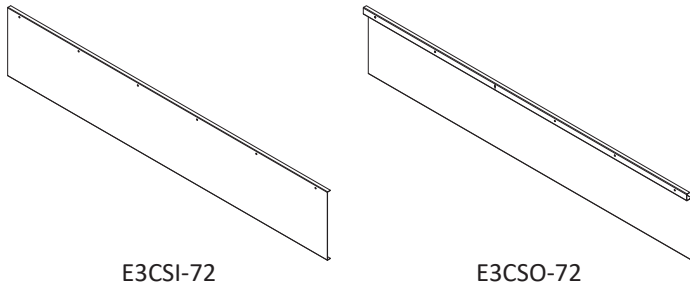
## Envision 3.0 - Wall Cabinet Hanger Bars



- These wall cabinet hangers to be used with Envision 3.0 uprights
- Each part number includes a pair of hanger bar. If purchasing hanger bars for 60" uprights or wider you must order (2) pairs of 00000hanger bars

Cat. No.		Actual Width	For use with:
Painted Steel	Stainless Steel		
E3PWCH-42	E3PWCH-42S	42"	42" wide uprights
E3PWCH-48	E3PWCH-48S	48"	48" wide uprights
E3PWCH-60	E3PWCH-60S	30"	60" wide uprights
E3PWCH-72	E3PWCH-72S	36"	72" wide uprights
E3PWCH-84	E3PWCH-84S	42"	84" wide uprights
E3PWCH-96	E3PWCH-96S	48"	96" wide uprights

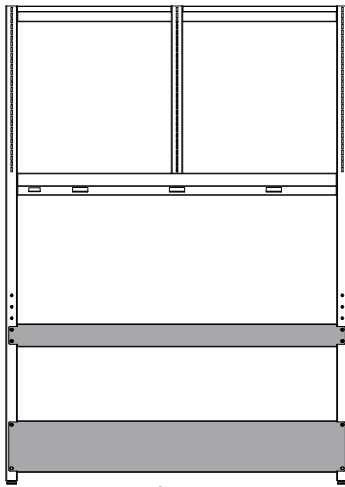
## Envision 3.0 - Cabinet Stop



- These Cabinet Stops are to be used with Envision 3.0
- They are to prevent mobile cabinet from rolling to far under the work surface

Cat. No.		Actual Width	Width
For Inset Cabinet	For Overlay Cabinet		
E3CSI-42	E3CSO-42	34.75"	42"
E3CSI-48	E3CSO-48	40.75"	48"
E3CSI-60	E3CSO-60	52.75"	60"
E3CSI-72	E3CSO-72	64.75"	72"
E3CSI-84	E3CSO-84	76.75"	84"
E3CSI-96	E3CSO-96	88.75"	96"

## Envision 3.0 - Stabilizer Bar



Elevation of Stabilizer Bars

- These Stabilizer Bars are to be used with Envision 3.0

Cat. No.		Width
Lower Brace	Upper Brace	
E3SBRL-42	E3SBRU-42	42"
E3SBRL-48	E3SBRU-48	48"
E3SBRL-60	E3SBRU-60	60"
E3SBRL-72	E3SBRU-72	72"
E3SBRL-84	E3SBRU-84	84"
E3SBRL-96	E3SBRU-96	96"

## Envision 3.0 - Table Support Clamps



- These are to be used with Envision 3.0
- Kit of 2 with hardware
- Use for all tables on backside of 6" uprights

Cat. No.	Type
E3TSC	Table Support Clamps



# Envision 3.0

## Envision 3.0 - 3" Mounting Kits

- These are to be used with Envision 3.0
- Fasteners for connecting back to back 3" uprights

Cat. No.	Type
E3MKU3	Upright Connectors

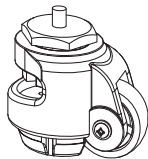
## LED Task Lighting for Envision 3.0



- Touch and hold continuous dimming and 10 hour automatic turnoff
- Units with (1) light include: (1) LED task light, magnetic angle mount that allows for up to 25° adjustment, 60 watt power supply with magnetic mount and 6' white cord
- Units with (2) lights include: (2) LED task light, magnetic angle mount that allows for up to 25° adjustment, 60 watt power supply with magnetic mount, 6' white cord, and 1 interlink cord to connect lights
- 60 watt power supply with magnetic mount and 6' white cord
- Made with anodized aluminum
- Lasts up to 50,000 hours

Cat. No.	Quantity of Lights	Actual Width	For use with:
<b>Single Sided</b>			
TL17-LED	1	17"	42" wide Table
TL17-LED	1	17"	48" wide Table
TL34-LED	2	17"	60" wide Table
TL34-LED	2	17"	72" wide Table
TL34-LED	2	17"	84" with Table
TL34-LED	2	17"	96" wide Table
<b>Double Sided</b>			
TL17-LEDDBL	2	17"	42" wide Table
TL17-LEDDBL	2	17"	48" wide Table
TL34-LEDDBL	4	17"	60" wide Table
TL34-LEDDBL	4	17"	72" wide Table
TL34-LEDDBL	4	17"	84" with Table
TL34-LEDDBL	4	17"	96" wide Table

## Add Leveling Casters to Envision Uprights



- (4) Leveling Caster has a disc style leveling function
- Weight capacity up to 1,000 lbs
- Can only be used with 3" uprights, Envision 3.0 or 4.0
- Casters add 3" to overall height of uprights
- Both Stabilizer Bars are recommended if using casters

Cat. No.	Type
E3HD-KIT	Add for Leveling Caster



## Envision 3.0 Electrical for 3" upright

**Sample:** E3W3A  $\frac{\quad}{1} \frac{\quad}{2} \frac{\quad}{3}$  - (width of upright)

**Space 1 Options:**

G = Grey  
I = Ivory  
W = White

**Space 2 Options:**

4 = 4' cord above upright  
6 = 6' cord above upright

**Space 3 Options:**

(Blank) = Standard outlet  
G = GFI outlet

Cat. No.	Description	Width Options
E3W3A ___ - ___	1 circuit, 1 plug, 3 electrical outlets	42", 48"
E3W3B ___ - ___	2 circuit, 1 plug, 3 electrical outlets	42", 48"
E3W3C ___ - ___	2 circuit, 2 plug, 3 electrical outlets	42", 48"
E3W3D ___ - ___	1 circuit, 1 plug, 4 electrical outlets	60", 72", 84", 96"
E3W3E ___ - ___	2 circuit, 1 plug, 4 electrical outlets	60", 72", 84", 96"
E3W3F ___ - ___	2 circuit, 2 plug, 4 electrical outlets	60", 72", 84", 96"
E3W3G ___ - ___	4 circuit, 2 plug, 4 electrical outlets	60", 72", 84", 96"

**Example:** E3W3AG4G-48

Envision 3.0 Wiring for 3" upright, Grey, 1 circuit, 1 plug, 3 GFI outlets, for 48" wide upright

**Note:** All electrical components are UL Labeled and pre-wiring is UL Listed

## Envision 3.0 Electrical for 6" upright

**Sample:** E3W6A  $\frac{\quad}{1} \frac{\quad}{2} \frac{\quad}{3}$  - (width of upright)

**Space 1 Options:**

G = Grey  
I = Ivory  
W = White

**Space 2 Options:**

4 = 4' cord above upright  
6 = 6' cord above upright

**Space 3 Options:**

(Blank) = Standard outlet  
G - GFI outlet

Cat. No.	Description	Width Options
E3W6A ___ - ___	1 circuit, 1 plug, 6 electrical outlets	42", 48"
E3W6B ___ - ___	2 circuit, 1 plug, 6 electrical outlets	42", 48"
E3W6C ___ - ___	2 circuit, 2 plug, 6 electrical outlets	42", 48"
E3W6D ___ - ___	1 circuit, 1 plug, 8 electrical outlets	60", 72", 84", 96"
E3W6E ___ - ___	2 circuit, 1 plug, 8 electrical outlets	60", 72", 84", 96"
E3W6F ___ - ___	2 circuit, 2 plug, 8 electrical outlets	60", 72", 84", 96"
E3W6G ___ - ___	4 circuit, 2 plug, 8 electrical outlets	60", 72", 84", 96"

**Example:** E3W6AG4G-48

Envision 3.0 Wiring for 6" upright, Grey, 1 circuit, 1 plug, 6 GFI outlets, for 48" wide upright

**Note:** All electrical components are UL Labeled and pre-wiring is UL Listed

# Envision 3.0 Data

## Envision 3.0 Data for 3" upright

**Sample:** E3D31  $\frac{\quad}{1} \frac{\quad}{2}$  - (width of upright)

**Space 1 Options:**

G = Light Grey

**Space 2 Options:**

4 = 4' cord above upright

6 = 6' cord above upright

Cat. No.	Description	Width Options
E3D31 ___ - ___	Single Data Outlet	42", 48", 60", 72", 84", 96"
E3D32 ___ - ___	Double Data Outlet	42", 48", 60", 72", 84", 96"

**Example:** E3D31G4-48

Envision 3.0 Data for 3" upright, Light Grey, Single Data Outlet, for 48" wide upright

**Note:** Data is CAT-5E. If other data is required contact your ICI representative.

## Envision 3.0 Data for 6" upright

**Sample:** E3D61  $\frac{\quad}{1} \frac{\quad}{2}$  - (width of upright)

**Space 1 Options:**

G = Light Grey

**Space 2 Options:**

4 = 4' cord above upright

6 = 6' cord above upright

Cat. No.	Description	Width Options
E3D61 ___ - ___	Single Data Outlet	42", 48", 60", 72", 84", 96"
E3D62 ___ - ___	Double Data Outlet	42", 48", 60", 72", 84", 96"

**Example:** E3D61G4-48

Envision 3.0 Data for 6" upright, Light Grey, Single Data Outlet, for 48" wide upright

**Note:** Data is CAT-5E

Envision 3.5  
Undermount Bracket  
and Shelves

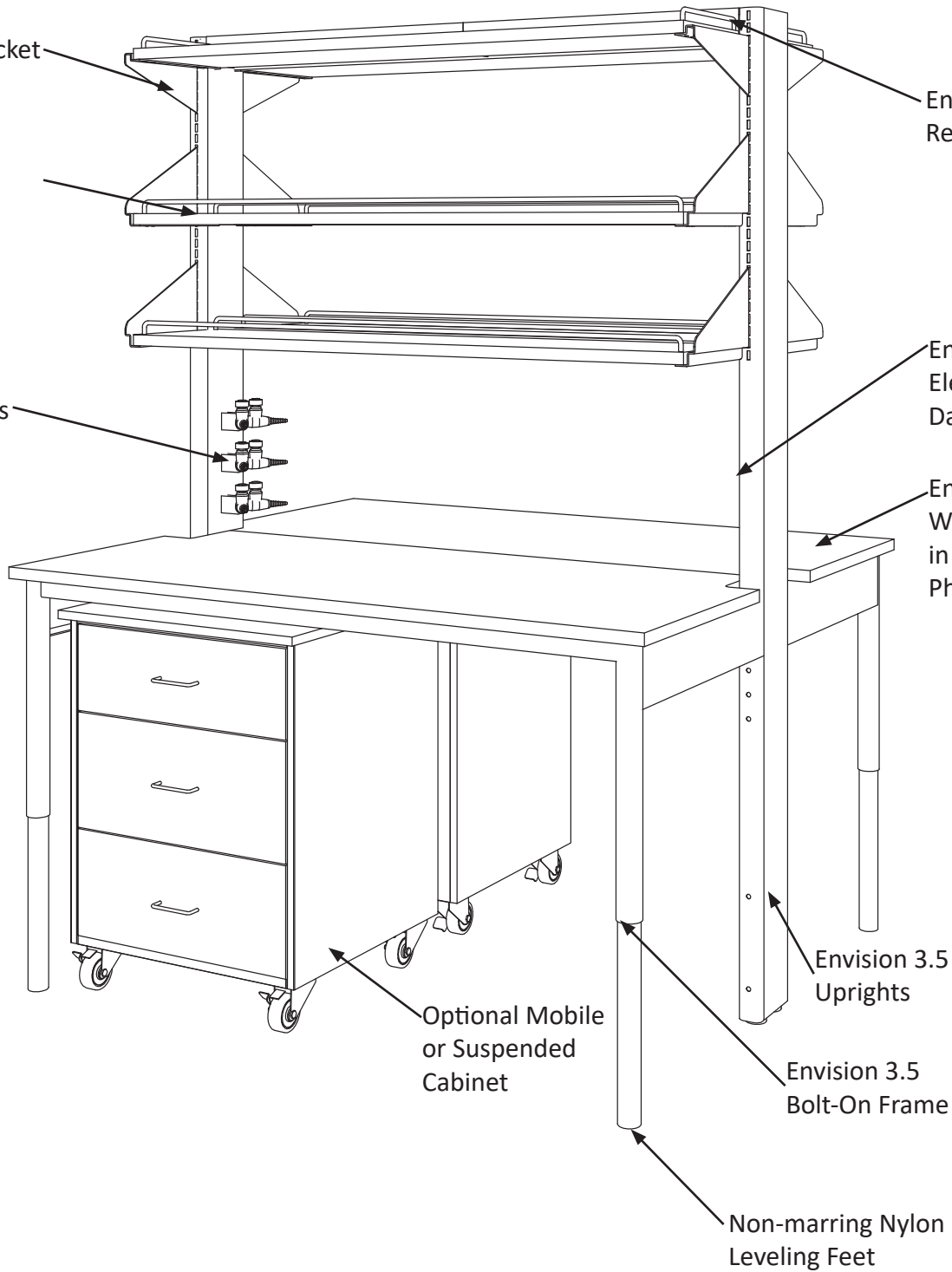
Envision 3.5  
Bookend Bracket  
and Shelves

Envision 3.5  
Plumbing Fixtures

Envision 3.5  
Retaining Rods

Envision 3.5  
Electric and  
Data Location

Envision 3.5  
Work Surface  
in Epoxy or  
Phenolic



Optional Mobile  
or Suspended  
Cabinet

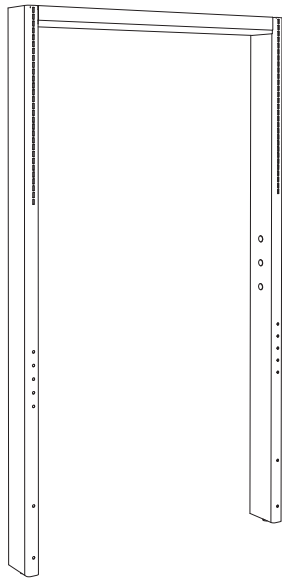
Envision 3.5  
Uprights

Envision 3.5  
Bolt-On Frame

Non-marring Nylon  
Leveling Feet

# Envision 3.5

## Envision 3.5 - 6" Uprights with Plumbing Cutouts Only



E35U6B-48

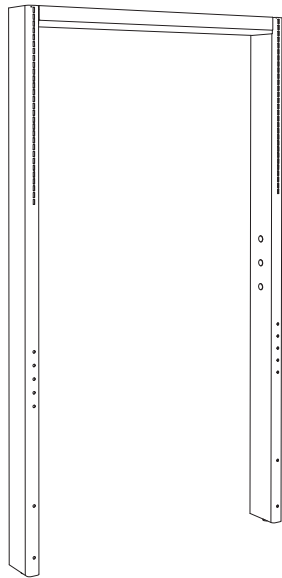
- Uprights are 6" Deep Envision 3.5, Double Sided
- Heights is 84"
- For Stainless Steel contact your ICI representative

**Includes:**

- (3) plumbing cutouts on one side

Cat. No.	Width
E35U6B-42	42"
E35U6B-48	48"
E35U6B-60	60"
E35U6B-72	72"

## Envision 3.5 - 6" Uprights with Plumbing, and Data Cutouts Only



E35U6D-48

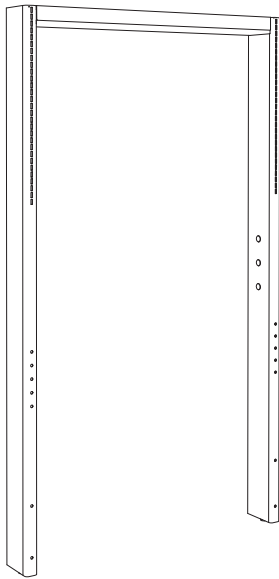
- Uprights are 6" Deep Envision 3.5, Double Sided
- Heights is 84"
- For Stainless Steel contact your ICI representative

**Includes:**

- (3) plumbing cutouts on one side
- (1) data cutout opposite side of plumbing cutouts

Cat. No.	Width
E35U6D-42	42"
E35U6D-48	48"
E35U6D-60	60"
E35U6D-72	72"

## Envision 3.5 - 6" Uprights with Plumbing, Data, and Standard Electric Cutouts Only



E35U6DE-48

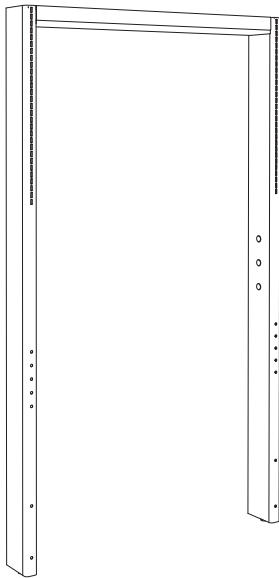
- Uprights are 6" Deep Envision 3.5, Double Sided
- Heights is 84"
- For Stainless Steel contact your ICI representative

**Includes:**

- (3) plumbing cutouts on one side
- (1) data cutout opposite side of plumbing cutouts
- (6) standard electric cutouts on upper post opposite side of plumbing cutouts
- (2) standard electric cutout on lower post opposite side of the plumbing cutouts

Cat. No.	Width
E35U6DE-42	42"
E35U6DE-48	48"
E35U6DE-60	60"
E35U6DE-72	72"

## Envision 3.5 - 6" Uprights with Plumbing, Data, and Standard & GFI Electric Cutouts Only



E35U6DEG-48

- Uprights are 6" Deep Envision 3.5, Double Sided
- Heights is 84"
- For Stainless Steel contact your ICI representative

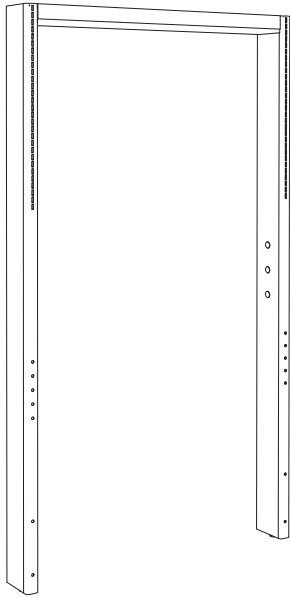
**Includes:**

- (3) plumbing cutouts on one side
- (1) data cutout opposite side of plumbing cutouts
- (6) standard electric cutouts on upper post opposite side of plumbing cutouts
- (2) GFI electric cutout on lower post opposite side of the plumbing cutouts

Cat. No.	Width
E35U6DEG-42	42"
E35U6DEG-48	48"
E35U6DEG-60	60"
E35U6DEG-72	72"

# Envision 3.5

## Envision 3.5 - 6" Uprights with Plumbing, and Standard Electric Cutouts Only



E35U6E-48

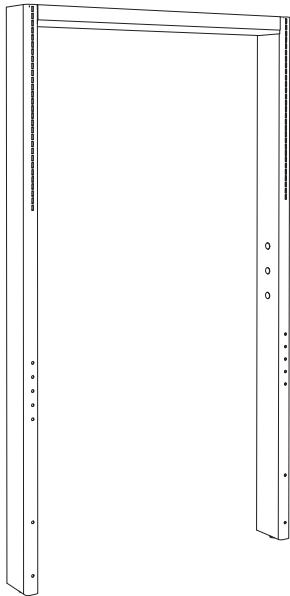
- Uprights are 6" Deep Envision 3.5, Double Sided
- Heights is 84"
- For Stainless Steel contact your ICI representative

**Includes:**

- (3) plumbing cutouts on one side
- (6) standard electric cutouts on upper post opposite side of plumbing cutouts
- (2) standard electric cutout on lower post opposite side of the plumbing cutouts

Cat. No.	Width
E35U6E-42	42"
E35U6E-48	48"
E35U6E-60	60"
E35U6E-72	72"

## Envision 3.5 - 6" Uprights with Plumbing, and Standard & GFI Electric Cutouts Only



E35U6EG-48

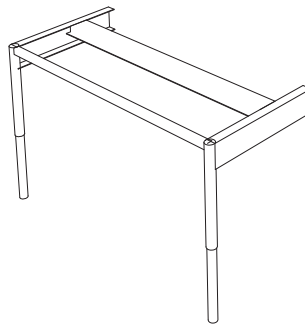
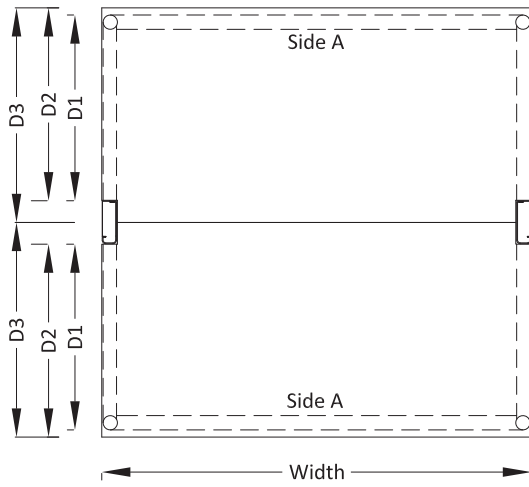
- Uprights are 6" Deep Envision 3.5, Double Sided
- Heights is 84"
- For Stainless Steel contact your ICI representative

**Includes:**

- (3) plumbing cutouts on one side
- (6) standard electric cutouts on upper post opposite side of plumbing cutouts
- (2) GFI electric cutout on lower post opposite side of the plumbing cutouts

Cat. No.	Width
E35U6EG-42	42"
E35U6EG-48	48"
E35U6EG-60	60"
E35U6EG-72	72"

## Envision 3.5 - Bolt-On Frame - 6" Uprights Double Sided



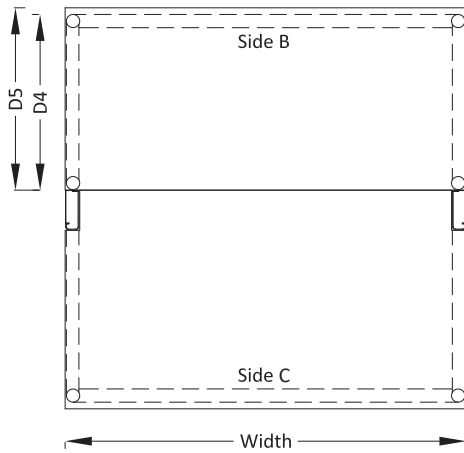
- Envision 3.5 Bolt-On Frames are to be attached to any Envision 3.5 uprights
- (2) Bolt-On Frames can be attached to 6" uprights to make a double sided workstation
- Adjustable Height work surface frame from 30 1/4" - 36 1/4", in 2" increments
- For Stainless Steel, contact your ICI Representative
- Work Surface depth details for Side B listed on next page
- Work Surface depth details for Side A listed below see page 47 for work surface part numbers

Example of Envision 3.5,  
6" Upright Double Sided Workstation with  
(2) Bolt-on Frames

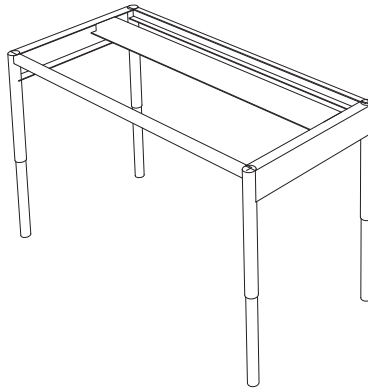
Bolt-on Frame Cat. No.	Depth of Bolt-on Frame (D1)	Nominal Depth of Bolt-on Frame (D2)	Depth of Work Surface with 3" Notch (D3)	Width
<b>Nominal 21" Deep</b>				
E3CTFB-2142	20"	21"	24"	42"
E3CTFB-2148	20"	21"	24"	48"
E3CTFB-2160	20"	21"	24"	60"
E3CTFB-2172	20"	21"	24"	72"
<b>Nominal 24" Deep</b>				
E3CTFB-2442	23"	24"	27"	42"
E3CTFB-2448	23"	24"	27"	48"
E3CTFB-2460	23"	24"	27"	60"
E3CTFB-2472	23"	24"	27"	72"
<b>Nominal 27" Deep</b>				
E3CTFB-2742	26"	27"	30"	42"
E3CTFB-2748	26"	27"	30"	48"
E3CTFB-2760	26"	27"	30"	60"
E3CTFB-2772	26"	27"	30"	72"
<b>Nominal 30" Deep</b>				
E3CTFB-3042	29"	30"	33"	42"
E3CTFB-3048	29"	30"	33"	48"
E3CTFB-3060	29"	30"	33"	60"
E3CTFB-3072	29"	30"	33"	72"

# Envision 3.5

## Envision 3.5 - Bolt-On and Table - 6" Uprights Double Sided



Example of Envision 3.5,  
6" Upright Double Sided Workstation with  
(1) Bolt-on and (1) Table



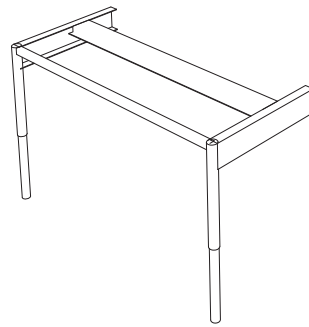
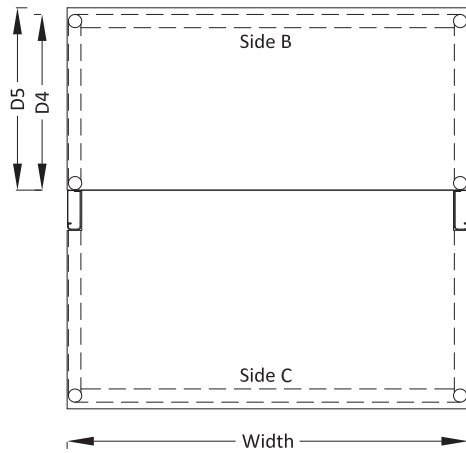
- Envision 3.5 Tables are to be used to make a double sided workstation with a 3" or 6" upright
- Envision 3.5 Tables can also be free standing tables
- Adjustable Height work surface frame from 30 1/4" - 36 1/4", in 2" increments
- For Stainless Steel, contact your ICI Representative
- Work Surface ordered separately
- Work Surface depth details for Side C listed on next page
- Work Surface depth details for Side B listed below see page 49 for work surface part numbers

Bolt-on Frame Cat. No.	Depth of Frame/Table (D4)	Depth of Work Surface with No Notch (D5)	Width
<b>Nominal 15" Deep</b>			
E3CTFT-1542	14"	15"	42"
E3CTFT-1548	14"	15"	48"
E3CTFT-1560	14"	15"	60"
E3CTFT-1572	14"	15"	72"
<b>Nominal 18" Deep</b>			
E3CTFT-1842	17"	18"	42"
E3CTFT-1848	17"	18"	48"
E3CTFT-1860	17"	18"	60"
E3CTFT-1872	17"	18"	72"
<b>Nominal 19" Deep</b>			
E3CTFT-1942	18"	19"	42"
E3CTFT-1948	18"	19"	48"
E3CTFT-1960	18"	19"	60"
E3CTFT-1972	18"	19"	72"
<b>Nominal 21" Deep</b>			
E3CTFT-2142	20"	21"	42"
E3CTFT-2148	20"	21"	48"
E3CTFT-2160	20"	21"	60"
E3CTFT-2172	20"	21"	72"
<b>Nominal 24" Deep</b>			
E3CTFT-2442	23"	24"	42"
E3CTFT-2448	23"	24"	48"
E3CTFT-2460	23"	24"	60"
E3CTFT-2472	23"	24"	72"

Bolt-on Frame Cat. No.	Depth of Frame/Table (D4)	Depth of Work Surface with No Notch (D5)	Width
<b>Nominal 27" Deep</b>			
E3CTFT-2742	26"	27"	42"
E3CTFT-2748	26"	27"	48"
E3CTFT-2760	26"	27"	60"
E3CTFT-2772	26"	27"	72"
<b>Nominal 30" Deep</b>			
E3CTFT-3042	29"	30"	42"
E3CTFT-3048	29"	30"	48"
E3CTFT-3060	29"	30"	60"
E3CTFT-3072	29"	30"	72"
<b>Nominal 33" Deep</b>			
E3CTFT-3342	32"	33"	42"
E3CTFT-3348	32"	33"	48"
E3CTFT-3360	32"	33"	60"
E3CTFT-3372	32"	33"	72"
<b>Nominal 36" Deep</b>			
E3CTFT-3642	35"	36"	42"
E3CTFT-3648	35"	36"	48"
E3CTFT-3660	35"	36"	60"
E3CTFT-3672	35"	36"	72"



## Envision 3.5 - Bolt-On and Table - 6" Uprights Double Sided



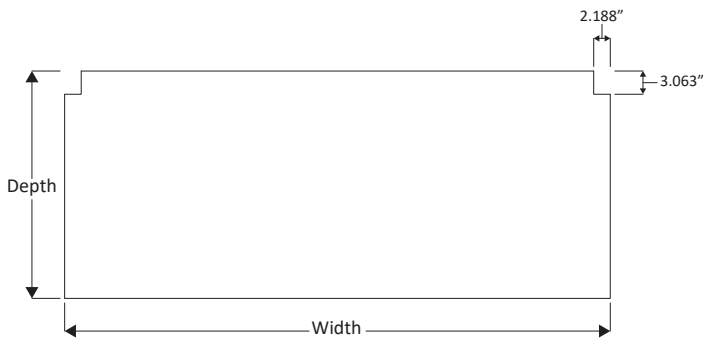
- Envision 3.5 Bolt-On Frames are to be attached to any Envision 3.5 uprights
- (2) Bolt-On Frames can be attached to 6" uprights to make a double sided workstation
- Adjustable Height work surface frame from 30 1/4" - 36 1/4", in 2" increments
- For Stainless Steel, contact your ICI Representative
- Work Surface depth details for Side B listed on next page
- Work Surface depth details for Side A listed below see page 48 for work surface part numbers

Example of Envision 3.5, 6" Upright Double Sided Workstation with (1) Bolt-on and (1) Table

Bolt-on Frame Cat. No.	Depth of Bolt-on Frame (D1)	Nominal Depth of Bolt-on Frame (D2)	Depth of Work Surface with 6" Notch (D3)	Width
<b>Nominal 21" Deep</b>				
E3CTFB-2142	20"	21"	27"	42"
E3CTFB-2148	20"	21"	27"	48"
E3CTFB-2160	20"	21"	27"	60"
E3CTFB-2172	20"	21"	27"	72"
<b>Nominal 24" Deep</b>				
E3CTFB-2442	23"	24"	30"	42"
E3CTFB-2448	23"	24"	30"	48"
E3CTFB-2460	23"	24"	30"	60"
E3CTFB-2472	23"	24"	30"	72"
<b>Nominal 27" Deep</b>				
E3CTFB-2742	26"	27"	33"	42"
E3CTFB-2748	26"	27"	33"	48"
E3CTFB-2760	26"	27"	33"	60"
E3CTFB-2772	26"	27"	33"	72"
<b>Nominal 30" Deep</b>				
E3CTFB-3042	29"	30"	36"	42"
E3CTFB-3048	29"	30"	36"	48"
E3CTFB-3060	29"	30"	36"	60"
E3CTFB-3072	29"	30"	36"	72"

# Envision 3.5

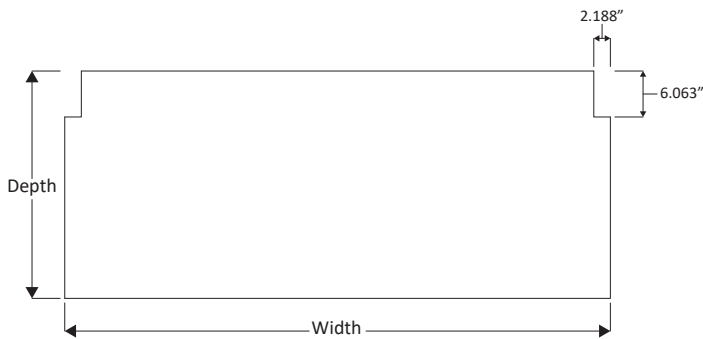
## Envision 3.5 - 6" Upright Notched Work Surface



- This work surface is to be used with Envision 3.5, 6" upright with (2) Bolt-On Frames

Epoxy	Cat. No. Phenolic	Stainless Steel	Width
<b>24" Deep Top</b>			
E3CT1ER3-2442	E3CT1PH3-2442	E3CT1SS3-2442	42"
E3CT1ER3-2448	E3CT1PH3-2448	E3CT1SS3-2448	48"
E3CT1ER3-2460	E3CT1PH3-2460	E3CT1SS3-2460	60"
E3CT1ER3-2472	E3CT1PH3-2472	E3CT1SS3-2472	72"
<b>27" Deep Top</b>			
E3CT1ER3-2742	E3CT1PH3-2742	E3CT1SS3-2742	42"
E3CT1ER3-2748	E3CT1PH3-2748	E3CT1SS3-2748	48"
E3CT1ER3-2760	E3CT1PH3-2760	E3CT1SS3-2760	60"
E3CT1ER3-2772	E3CT1PH3-2772	E3CT1SS3-2772	72"
<b>30" Deep Top</b>			
E3CT1ER3-3042	E3CT1PH3-3042	E3CT1SS3-3042	42"
E3CT1ER3-3048	E3CT1PH3-3048	E3CT1SS3-3048	48"
E3CT1ER3-3060	E3CT1PH3-3060	E3CT1SS3-3060	60"
E3CT1ER3-3072	E3CT1PH3-3072	E3CT1SS3-3072	72"
<b>33" Deep Top</b>			
E3CT1ER3-3342	E3CT1PH3-3342	E3CT1SS3-3342	42"
E3CT1ER3-3348	E3CT1PH3-3348	E3CT1SS3-3348	48"
E3CT1ER3-3360	E3CT1PH3-3360	E3CT1SS3-3360	60"
E3CT1ER3-3372	E3CT1PH3-3372	E3CT1SS3-3372	72"
<b>36" Deep Top</b>			
E3CT1ER3-3642	E3CT1PH3-3642	E3CT1SS3-3642	42"
E3CT1ER3-3648	E3CT1PH3-3648	E3CT1SS3-3648	48"
E3CT1ER3-3660	E3CT1PH3-3660	E3CT1SS3-3660	60"
E3CT1ER3-3672	E3CT1PH3-3672	E3CT1SS3-3672	72"

## Envision 3.5 - 6" Upright Notched Work Surface

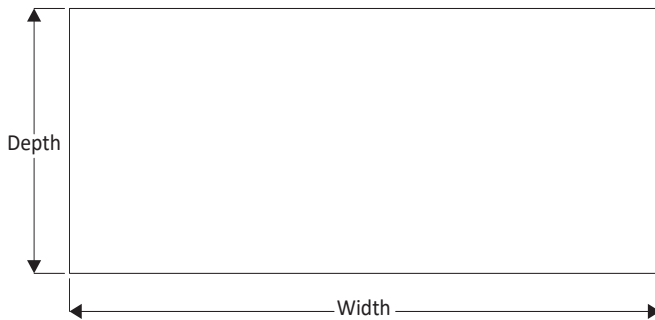


- This work surface is to be used with Envision 3.5, 6" upright when (1) Bolt-On Frame is used

Epoxy	Cat. No. Phenolic	Stainless Steel	Width
<b>27" Deep Top</b>			
E3CT1ER6-2742	E3CT1PH6-2742	E3CT1SS6-2742	42"
E3CT1ER6-2748	E3CT1PH6-2748	E3CT1SS6-2748	48"
E3CT1ER6-2760	E3CT1PH6-2760	E3CT1SS6-2760	60"
E3CT1ER6-2772	E3CT1PH6-2772	E3CT1SS6-2772	72"
<b>30" Deep Top</b>			
E3CT1ER6-3042	E3CT1PH6-3042	E3CT1SS6-3042	42"
E3CT1ER6-3048	E3CT1PH6-3048	E3CT1SS6-3048	48"
E3CT1ER6-3060	E3CT1PH6-3060	E3CT1SS6-3060	60"
E3CT1ER6-3072	E3CT1PH6-3072	E3CT1SS6-3072	72"
<b>33" Deep Top</b>			
E3CT1ER6-3342	E3CT1PH6-3342	E3CT1SS6-3342	42"
E3CT1ER6-3348	E3CT1PH6-3348	E3CT1SS6-3348	48"
E3CT1ER6-3360	E3CT1PH6-3360	E3CT1SS6-3360	60"
E3CT1ER6-3372	E3CT1PH6-3372	E3CT1SS6-3372	72"
<b>36" Deep Top</b>			
E3CT1ER6-3642	E3CT1PH6-3642	E3CT1SS6-3642	42"
E3CT1ER6-3648	E3CT1PH6-3648	E3CT1SS6-3648	48"
E3CT1ER6-3660	E3CT1PH6-3660	E3CT1SS6-3660	60"
E3CT1ER6-3672	E3CT1PH6-3672	E3CT1SS6-3672	72"

# Envision 3.5

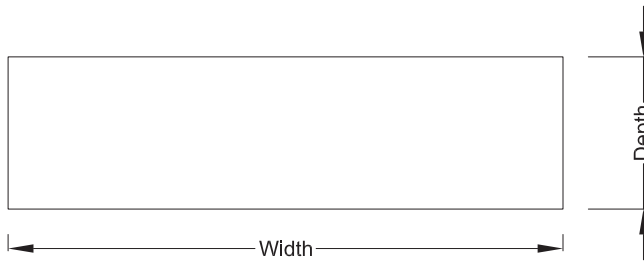
## Envision 3.5 - No Notch Work Surface



- This work surface is to be used with an Envision 3.5 Frame/ Table

15" Deep Top				27" Deep Top			
Epoxy	Cat. No. Phenolic	Stainless Steel	Width	Epoxy	Cat. No. Phenolic	Stainless Steel	Width
E3CT1ERT-1542	E3CT1PHT-1542	E3CT1SST-1542	42"	E3CT1ERT-2742	E3CT1PHT-2742	E3CT1SST-2742	42"
E3CT1ERT-1548	E3CT1PHT-1548	E3CT1SST-1548	48"	E3CT1ERT-2748	E3CT1PHT-2748	E3CT1SST-2748	48"
E3CT1ERT-1560	E3CT1PHT-1560	E3CT1SST-1560	60"	E3CT1ERT-2760	E3CT1PHT-2760	E3CT1SST-2760	60"
E3CT1ERT-1572	E3CT1PHT-1572	E3CT1SST-1572	72"	E3CT1ERT-2772	E3CT1PHT-2772	E3CT1SST-2772	72"
18" Deep Top				30" Deep Top			
E3CT1ERT-1842	E3CT1PHT-1842	E3CT1SST-1842	42"	E3CT1ERT-3042	E3CT1PHT-3042	E3CT1SST-3042	42"
E3CT1ERT-1848	E3CT1PHT-1848	E3CT1SST-1848	48"	E3CT1ERT-3048	E3CT1PHT-3048	E3CT1SST-3048	48"
E3CT1ERT-1860	E3CT1PHT-1860	E3CT1SST-1860	60"	E3CT1ERT-3060	E3CT1PHT-3060	E3CT1SST-3060	60"
E3CT1ERT-1872	E3CT1PHT-1872	E3CT1SST-1872	72"	E3CT1ERT-3072	E3CT1PHT-3072	E3CT1SST-3072	72"
19" Deep Top				33" Deep Top			
E3CT1ERT-1942	E3CT1PHT-1942	E3CT1SST-1942	42"	E3CT1ERT-3342	E3CT1PHT-3342	E3CT1SST-3342	42"
E3CT1ERT-1948	E3CT1PHT-1948	E3CT1SST-1948	48"	E3CT1ERT-3348	E3CT1PHT-3348	E3CT1SST-3348	48"
E3CT1ERT-1960	E3CT1PHT-1960	E3CT1SST-1960	60"	E3CT1ERT-3360	E3CT1PHT-3360	E3CT1SST-3360	60"
E3CT1ERT-1972	E3CT1PHT-1972	E3CT1SST-1972	72"	E3CT1ERT-3372	E3CT1PHT-3372	E3CT1SST-3372	72"
21" Deep Top				36" Deep Top			
E3CT1ERT-2142	E3CT1PHT-2142	E3CT1SST-2142	42"	E3CT1ERT-3642	E3CT1PHT-3642	E3CT1SST-3642	42"
E3CT1ERT-2148	E3CT1PHT-2148	E3CT1SST-2148	48"	E3CT1ERT-3648	E3CT1PHT-3648	E3CT1SST-3648	48"
E3CT1ERT-2160	E3CT1PHT-2160	E3CT1SST-2160	60"	E3CT1ERT-3660	E3CT1PHT-3660	E3CT1SST-3660	60"
E3CT1ERT-2172	E3CT1PHT-2172	E3CT1SST-2172	72"	E3CT1ERT-3672	E3CT1PHT-3672	E3CT1SST-3672	72"
24" Deep Top							
E3CT1ERT-2442	E3CT1PHT-2442	E3CT1SST-2442	42"				
E3CT1ERT-2448	E3CT1PHT-2448	E3CT1SST-2448	48"				
E3CT1ERT-2460	E3CT1PHT-2460	E3CT1SST-2460	60"				
E3CT1ERT-2472	E3CT1PHT-2472	E3CT1SST-2472	72"				

## Envision 3.5 - .75" Thick Shelving - No Rear Rod Cutout

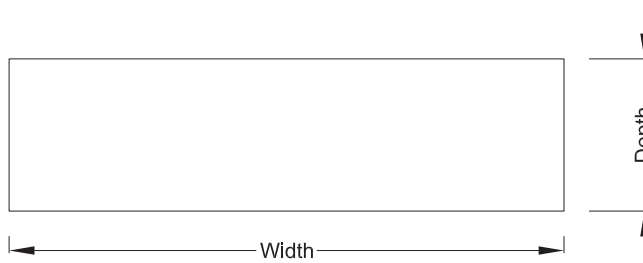


- These shelves to be used with Envision 3.5 brackets
- Each part number includes (1) shelf

Epoxy	Cat. No.		Painted Steel	Stainless Steel	Wood - Maple	Wood - Oak	Actual Width	For Use With:
	Phenolic							
<b>9.5" Deep</b>								
E35S75ER-9542	E35S75PH-9542	E35S75MS-9542	E35S75SS-9542	E35S75WM-9542	E35S75WO-9542	37.75"	42" Wide Upright	
E35S75ER-9548	E35S75PH-9548	E35S75MS-9548	E35S75SS-9548	E35S75WM-9548	E35S75WO-9548	43.75"	48" Wide Upright	
E35S75ER-9560	E35S75PH-9560	E35S75MS-9560	E35S75SS-9560	E35S75WM-9560	E35S75WO-9560	55.75"	60" Wide Upright	
E35S75ER-9572	E35S75PH-9572	E35S75MS-9572	E35S75SS-9572	E35S75WM-9572	E35S75WO-9572	67.75"	72" Wide Upright	
<b>12" Deep</b>								
E35S75ER-1242	E35S75PH-1242	E35S75MS-1242	E35S75SS-1242	E35S75WM-1242	E35S75WO-1242	37.75"	42" Wide Upright	
E35S75ER-1248	E35S75PH-1248	E35S75MS-1248	E35S75SS-1248	E35S75WM-1248	E35S75WO-1248	43.75"	48" Wide Upright	
E35S75ER-1260	E35S75PH-1260	E35S75MS-1260	E35S75SS-1260	E35S75WM-1260	E35S75WO-1260	55.75"	60" Wide Upright	
E35S75ER-1272	E35S75PH-1272	E35S75MS-1272	E35S75SS-1272	E35S75WM-1272	E35S75WO-1272	67.75"	72" Wide Upright	
<b>13" Deep</b>								
E35S75ER-1342	E35S75PH-1342	E35S75MS-1342	E35S75SS-1342	E35S75WM-1342	E35S75WO-1342	37.75"	42" Wide Upright	
E35S75ER-1348	E35S75PH-1348	E35S75MS-1348	E35S75SS-1348	E35S75WM-1348	E35S75WO-1348	43.75"	48" Wide Upright	
E35S75ER-1360	E35S75PH-1360	E35S75MS-1360	E35S75SS-1360	E35S75WM-1360	E35S75WO-1360	55.75"	60" Wide Upright	
E35S75ER-1372	E35S75PH-1372	E35S75MS-1372	E35S75SS-1372	E35S75WM-1372	E35S75WO-1372	67.75"	72" Wide Upright	
<b>15" Deep</b>								
E35S75ER-1542	E35S75PH-1542	E35S75MS-1542	E35S75SS-1542	E35S75WM-1542	E35S75WO-1542	37.75"	42" Wide Upright	
E35S75ER-1548	E35S75PH-1548	E35S75MS-1548	E35S75SS-1548	E35S75WM-1548	E35S75WO-1548	43.75"	48" Wide Upright	
E35S75ER-1560	E35S75PH-1560	E35S75MS-1560	E35S75SS-1560	E35S75WM-1560	E35S75WO-1560	55.75"	60" Wide Upright	
E35S75ER-1572	E35S75PH-1572	E35S75MS-1572	E35S75SS-1572	E35S75WM-1572	E35S75WO-1572	67.75"	72" Wide Upright	
<b>16" Deep</b>								
E35S75ER-1642	E35S75PH-1642	E35S75MS-1642	E35S75SS-1642	E35S75WM-1642	E35S75WO-1642	37.75"	42" Wide Upright	
E35S75ER-1648	E35S75PH-1648	E35S75MS-1648	E35S75SS-1648	E35S75WM-1648	E35S75WO-1648	43.75"	48" Wide Upright	
E35S75ER-1660	E35S75PH-1660	E35S75MS-1660	E35S75SS-1660	E35S75WM-1660	E35S75WO-1660	55.75"	60" Wide Upright	
E35S75ER-1672	E35S75PH-1672	E35S75MS-1672	E35S75SS-1672	E35S75WM-1672	E35S75WO-1672	67.75"	72" Wide Upright	
<b>18" Deep</b>								
E35S75ER-1842	E35S75PH-1842	E35S75MS-1842	E35S75SS-1842	E35S75WM-1842	E35S75WO-1842	37.75"	42" Wide Upright	
E35S75ER-1848	E35S75PH-1848	E35S75MS-1848	E35S75SS-1848	E35S75WM-1848	E35S75WO-1848	43.75"	48" Wide Upright	
E35S75ER-1860	E35S75PH-1860	E35S75MS-1860	E35S75SS-1860	E35S75WM-1860	E35S75WO-1860	55.75"	60" Wide Upright	
E35S75ER-1872	E35S75PH-1872	E35S75MS-1872	E35S75SS-1872	E35S75WM-1872	E35S75WO-1872	67.75"	72" Wide Upright	

# Envision 3.5

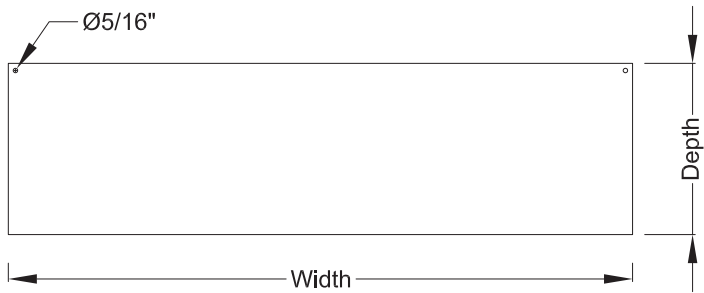
## Envision 3.5 - 1" Thick Shelving - No Rear Rod Cutout



- These shelves to be used with Envision 3.5 brackets
- Each part number includes (1) shelf

Epoxy	Cat. No. Phenolic	Painted Steel	Stainless Steel	Wood - Maple	Wood - Oak	Actual Width	For Use With:
<b>9.5" Deep</b>							
E35S1ER-9542	E35S1PH-9542	E35S1MS-9542	E35S1SS-9542	E35S1WM-9542	E35S1WO-9542	37.75"	42" Wide Upright
E35S1ER-9548	E35S1PH-9548	E35S1MS-9548	E35S1SS-9548	E35S1WM-9548	E35S1WO-9548	43.75"	48" Wide Upright
E35S1ER-9560	E35S1PH-9560	E35S1MS-9560	E35S1SS-9560	E35S1WM-9560	E35S1WO-9560	55.75"	60" Wide Upright
E35S1ER-9572	E35S1PH-9572	E35S1MS-9572	E35S1SS-9572	E35S1WM-9572	E35S1WO-9572	67.75"	72" Wide Upright
<b>12" Deep</b>							
E35S1ER-1242	E35S1PH-1242	E35S1MS-1242	E35S1SS-1242	E35S1WM-1242	E35S1WO-1242	37.75"	42" Wide Upright
E35S1ER-1248	E35S1PH-1248	E35S1MS-1248	E35S1SS-1248	E35S1WM-1248	E35S1WO-1248	43.75"	48" Wide Upright
E35S1ER-1260	E35S1PH-1260	E35S1MS-1260	E35S1SS-1260	E35S1WM-1260	E35S1WO-1260	55.75"	60" Wide Upright
E35S1ER-1272	E35S1PH-1272	E35S1MS-1272	E35S1SS-1272	E35S1WM-1272	E35S1WO-1272	67.75"	72" Wide Upright
<b>13" Deep</b>							
E35S1ER-1342	E35S1PH-1342	E35S1MS-1342	E35S1SS-1342	E35S1WM-1342	E35S1WO-1342	37.75"	42" Wide Upright
E35S1ER-1348	E35S1PH-1348	E35S1MS-1348	E35S1SS-1348	E35S1WM-1348	E35S1WO-1348	43.75"	48" Wide Upright
E35S1ER-1360	E35S1PH-1360	E35S1MS-1360	E35S1SS-1360	E35S1WM-1360	E35S1WO-1360	55.75"	60" Wide Upright
E35S1ER-1372	E35S1PH-1372	E35S1MS-1372	E35S1SS-1372	E35S1WM-1372	E35S1WO-1372	67.75"	72" Wide Upright
<b>15" Deep</b>							
E35S1ER-1542	E35S1PH-1542	E35S1MS-1542	E35S1SS-1542	E35S1WM-1542	E35S1WO-1542	37.75"	42" Wide Upright
E35S1ER-1548	E35S1PH-1548	E35S1MS-1548	E35S1SS-1548	E35S1WM-1548	E35S1WO-1548	43.75"	48" Wide Upright
E35S1ER-1560	E35S1PH-1560	E35S1MS-1560	E35S1SS-1560	E35S1WM-1560	E35S1WO-1560	55.75"	60" Wide Upright
E35S1ER-1572	E35S1PH-1572	E35S1MS-1572	E35S1SS-1572	E35S1WM-1572	E35S1WO-1572	67.75"	72" Wide Upright
<b>16" Deep</b>							
E35S1ER-1642	E35S1PH-1642	E35S1MS-1642	E35S1SS-1642	E35S1WM-1642	E35S1WO-1642	37.75"	42" Wide Upright
E35S1ER-1648	E35S1PH-1648	E35S1MS-1648	E35S1SS-1648	E35S1WM-1648	E35S1WO-1648	43.75"	48" Wide Upright
E35S1ER-1660	E35S1PH-1660	E35S1MS-1660	E35S1SS-1660	E35S1WM-1660	E35S1WO-1660	55.75"	60" Wide Upright
E35S1ER-1672	E35S1PH-1672	E35S1MS-1672	E35S1SS-1672	E35S1WM-1672	E35S1WO-1672	67.75"	72" Wide Upright
<b>18" Deep</b>							
E35S1ER-1842	E35S1PH-1842	E35S1MS-1842	E35S1SS-1842	E35S1WM-1842	E35S1WO-1842	37.75"	42" Wide Upright
E35S1ER-1848	E35S1PH-1848	E35S1MS-1848	E35S1SS-1848	E35S1WM-1848	E35S1WO-1848	43.75"	48" Wide Upright
E35S1ER-1860	E35S1PH-1860	E35S1MS-1860	E35S1SS-1860	E35S1WM-1860	E35S1WO-1860	55.75"	60" Wide Upright
E35S1ER-1872	E35S1PH-1872	E35S1MS-1872	E35S1SS-1872	E35S1WM-1872	E35S1WO-1872	67.75"	72" Wide Upright

**Envision 3.5 - .75" Thick Shelving with Cutouts for Rear Rod**

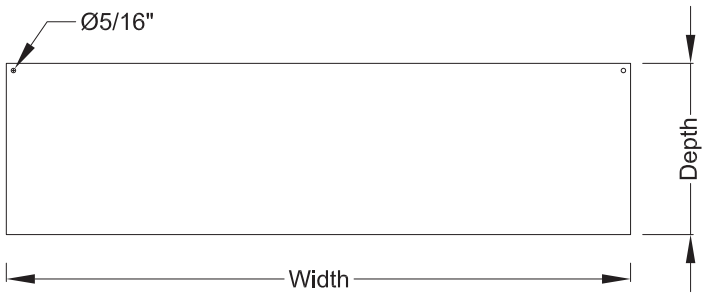


- These shelves to be used with Envision 3.5 brackets
- Each part number includes (1) shelf
- These shelves include cutouts for rear rod

Epoxy	Cat. No. Phenolic	Painted Steel	Stainless Steel	Wood - Maple	Wood - Oak	Actual Width	For Use With:
<b>9.5" Deep</b>							
E35S75ERR-9542	E35S75PHR-9542	E35S75MSR-9542	E35S75SSR-9542	E35S75WMMR-9542	E35S75WOR-9542	37.75"	42" Wide Upright
E35S75ERR-9548	E35S75PHR-9548	E35S75MSR-9548	E35S75SSR-9548	E35S75WMMR-9548	E35S75WOR-9548	43.75"	48" Wide Upright
E35S75ERR-9560	E35S75PHR-9560	E35S75MSR-9560	E35S75SSR-9560	E35S75WMMR-9560	E35S75WOR-9560	55.75"	60" Wide Upright
E35S75ERR-9572	E35S75PHR-9572	E35S75MSR-9572	E35S75SSR-9572	E35S75WMMR-9572	E35S75WOR-9572	67.75"	72" Wide Upright
<b>12" Deep</b>							
E35S75ERR-1242	E35S75PHR-1242	E35S75MSR-1242	E35S75SSR-1242	E35S75WMMR-1242	E35S75WOR-1242	37.75"	42" Wide Upright
E35S75ERR-1248	E35S75PHR-1248	E35S75MSR-1248	E35S75SSR-1248	E35S75WMMR-1248	E35S75WOR-1248	43.75"	48" Wide Upright
E35S75ERR-1260	E35S75PHR-1260	E35S75MSR-1260	E35S75SSR-1260	E35S75WMMR-1260	E35S75WOR-1260	55.75"	60" Wide Upright
E35S75ERR-1272	E35S75PHR-1272	E35S75MSR-1272	E35S75SSR-1272	E35S75WMMR-1272	E35S75WOR-1272	67.75"	72" Wide Upright
<b>13" Deep</b>							
E35S75ERR-1342	E35S75PHR-1342	E35S75MSR-1342	E35S75SSR-1342	E35S75WMMR-1342	E35S75WOR-1342	37.75"	42" Wide Upright
E35S75ERR-1348	E35S75PHR-1348	E35S75MSR-1348	E35S75SSR-1348	E35S75WMMR-1348	E35S75WOR-1348	43.75"	48" Wide Upright
E35S75ERR-1360	E35S75PHR-1360	E35S75MSR-1360	E35S75SSR-1360	E35S75WMMR-1360	E35S75WOR-1360	55.75"	60" Wide Upright
E35S75ERR-1372	E35S75PHR-1372	E35S75MSR-1372	E35S75SSR-1372	E35S75WMMR-1372	E35S75WOR-1372	67.75"	72" Wide Upright
<b>15" Deep</b>							
E35S75ERR-1542	E35S75PHR-1542	E35S75MSR-1542	E35S75SSR-1542	E35S75WMMR-1542	E35S75WOR-1542	37.75"	42" Wide Upright
E35S75ERR-1548	E35S75PHR-1548	E35S75MSR-1548	E35S75SSR-1548	E35S75WMMR-1548	E35S75WOR-1548	43.75"	48" Wide Upright
E35S75ERR-1560	E35S75PHR-1560	E35S75MSR-1560	E35S75SSR-1560	E35S75WMMR-1560	E35S75WOR-1560	55.75"	60" Wide Upright
E35S75ERR-1572	E35S75PHR-1572	E35S75MSR-1572	E35S75SSR-1572	E35S75WMMR-1572	E35S75WOR-1572	67.75"	72" Wide Upright
<b>16" Deep</b>							
E35S75ERR-1642	E35S75PHR-1642	E35S75MSR-1642	E35S75SSR-1642	E35S75WMMR-1642	E35S75WOR-1642	37.75"	42" Wide Upright
E35S75ERR-1648	E35S75PHR-1648	E35S75MSR-1648	E35S75SSR-1648	E35S75WMMR-1648	E35S75WOR-1648	43.75"	48" Wide Upright
E35S75ERR-1660	E35S75PHR-1660	E35S75MSR-1660	E35S75SSR-1660	E35S75WMMR-1660	E35S75WOR-1660	55.75"	60" Wide Upright
E35S75ERR-1672	E35S75PHR-1672	E35S75MSR-1672	E35S75SSR-1672	E35S75WMMR-1672	E35S75WOR-1672	67.75"	72" Wide Upright
<b>18" Deep</b>							
E35S75ERR-1842	E35S75PHR-1842	E35S75MSR-1842	E35S75SSR-1842	E35S75WMMR-1842	E35S75WOR-1842	37.75"	42" Wide Upright
E35S75ERR-1848	E35S75PHR-1848	E35S75MSR-1848	E35S75SSR-1848	E35S75WMMR-1848	E35S75WOR-1848	43.75"	48" Wide Upright
E35S75ERR-1860	E35S75PHR-1860	E35S75MSR-1860	E35S75SSR-1860	E35S75WMMR-1860	E35S75WOR-1860	55.75"	60" Wide Upright
E35S75ERR-1872	E35S75PHR-1872	E35S75MSR-1872	E35S75SSR-1872	E35S75WMMR-1872	E35S75WOR-1872	67.75"	72" Wide Upright

# Envision 3.5

## Envision 3.5 - 1" Thick Shelving with Cutouts for Rear Rod

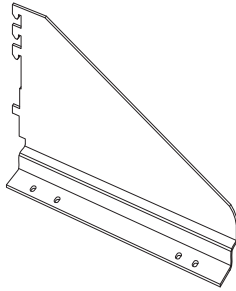


- These shelves to be used with Envision 3.5 brackets
- Each part number includes (1) shelf
- These shelves include cutouts for rear rod

Epoxy	Cat. No.		Painted Steel	Stainless Steel	Wood - Maple	Wood - Oak	Actual Width	For Use With:
	Phenolic							
<b>9.5" Deep</b>								
E35S1ERR-9542	E35S1PHR-9542	E35S1MSR-9542	E35S1SSR-9542	E35S1WMR-9542	E35S1WOR-9542	37.75"	42" Wide Upright	
E35S1ERR-9548	E35S1PHR-9548	E35S1MSR-9548	E35S1SSR-9548	E35S1WMR-9548	E35S1WOR-9548	43.75"	48" Wide Upright	
E35S1ERR-9560	E35S1PHR-9560	E35S1MSR-9560	E35S1SSR-9560	E35S1WMR-9560	E35S1WOR-9560	55.75"	60" Wide Upright	
E35S1ERR-9572	E35S1PHR-9572	E35S1MSR-9572	E35S1SSR-9572	E35S1WMR-9572	E35S1WOR-9572	67.75"	72" Wide Upright	
<b>12" Deep</b>								
E35S1ERR-1242	E35S1PHR-1242	E35S1MSR-1242	E35S1SSR-1242	E35S1WMR-1242	E35S1WOR-1242	37.75"	42" Wide Upright	
E35S1ERR-1248	E35S1PHR-1248	E35S1MSR-1248	E35S1SSR-1248	E35S1WMR-1248	E35S1WOR-1248	43.75"	48" Wide Upright	
E35S1ERR-1260	E35S1PHR-1260	E35S1MSR-1260	E35S1SSR-1260	E35S1WMR-1260	E35S1WOR-1260	55.75"	60" Wide Upright	
E35S1ERR-1272	E35S1PHR-1272	E35S1MSR-1272	E35S1SSR-1272	E35S1WMR-1272	E35S1WOR-1272	67.75"	72" Wide Upright	
<b>13" Deep</b>								
E35S1ERR-1342	E35S1PHR-1342	E35S1MSR-1342	E35S1SSR-1342	E35S1WMR-1342	E35S1WOR-1342	37.75"	42" Wide Upright	
E35S1ERR-1348	E35S1PHR-1348	E35S1MSR-1348	E35S1SSR-1348	E35S1WMR-1348	E35S1WOR-1348	43.75"	48" Wide Upright	
E35S1ERR-1360	E35S1PHR-1360	E35S1MSR-1360	E35S1SSR-1360	E35S1WMR-1360	E35S1WOR-1360	55.75"	60" Wide Upright	
E35S1ERR-1372	E35S1PHR-1372	E35S1MSR-1372	E35S1SSR-1372	E35S1WMR-1372	E35S1WOR-1372	67.75"	72" Wide Upright	
<b>15" Deep</b>								
E35S1ERR-1542	E35S1PHR-1542	E35S1MSR-1542	E35S1SSR-1542	E35S1WMR-1542	E35S1WOR-1542	37.75"	42" Wide Upright	
E35S1ERR-1548	E35S1PHR-1548	E35S1MSR-1548	E35S1SSR-1548	E35S1WMR-1548	E35S1WOR-1548	43.75"	48" Wide Upright	
E35S1ERR-1560	E35S1PHR-1560	E35S1MSR-1560	E35S1SSR-1560	E35S1WMR-1560	E35S1WOR-1560	55.75"	60" Wide Upright	
E35S1ERR-1572	E35S1PHR-1572	E35S1MSR-1572	E35S1SSR-1572	E35S1WMR-1572	E35S1WOR-1572	67.75"	72" Wide Upright	
<b>16" Deep</b>								
E35S1ERR-1642	E35S1PHR-1642	E35S1MSR-1642	E35S1SSR-1642	E35S1WMR-1642	E35S1WOR-1642	37.75"	42" Wide Upright	
E35S1ERR-1648	E35S1PHR-1648	E35S1MSR-1648	E35S1SSR-1648	E35S1WMR-1648	E35S1WOR-1648	43.75"	48" Wide Upright	
E35S1ERR-1660	E35S1PHR-1660	E35S1MSR-1660	E35S1SSR-1660	E35S1WMR-1660	E35S1WOR-1660	55.75"	60" Wide Upright	
E35S1ERR-1672	E35S1PHR-1672	E35S1MSR-1672	E35S1SSR-1672	E35S1WMR-1672	E35S1WOR-1672	67.75"	72" Wide Upright	
<b>18" Deep</b>								
E35S1ERR-1842	E35S1PHR-1842	E35S1MSR-1842	E35S1SSR-1842	E35S1WMR-1842	E35S1WOR-1842	37.75"	42" Wide Upright	
E35S1ERR-1848	E35S1PHR-1848	E35S1MSR-1848	E35S1SSR-1848	E35S1WMR-1848	E35S1WOR-1848	43.75"	48" Wide Upright	
E35S1ERR-1860	E35S1PHR-1860	E35S1MSR-1860	E35S1SSR-1860	E35S1WMR-1860	E35S1WOR-1860	55.75"	60" Wide Upright	
E35S1ERR-1872	E35S1PHR-1872	E35S1MSR-1872	E35S1SSR-1872	E35S1WMR-1872	E35S1WOR-1872	67.75"	72" Wide Upright	



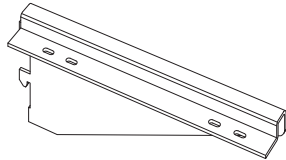
## Envision 3.5 - Bookend Brackets



- These brackets to be used with Envision 3.5 uprights
- Sold in pairs

Cat. No.		Depth
Painted Steel	Stainless Steel	
<b>.75" Thick Shelf</b>		
E3SBB75-9	E3SBB75-9S	9"
E3SBB75-12	E3SBB75-12S	12"
E3SBB75-15	E3SBB75-15S	15"
<b>1" Thick Shelf</b>		
E3SBB1-9	E3SBB1-9S	9"
E3SBB1-12	E3SBB1-12S	12"
E3SBB1-15	E3SBB1-15S	15"

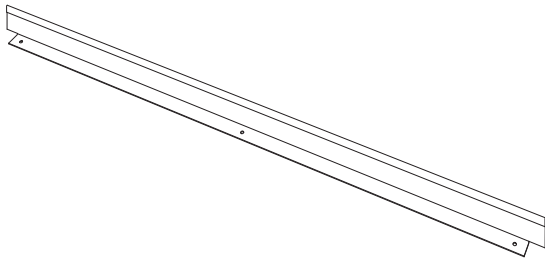
## Envision 3.5 - Inverted Brackets



- These brackets to be used with Envision 3.5 uprights
- Sold in pairs

Cat. No.		Depth
Painted Steel	Stainless Steel	
<b>.75" Thick Shelf</b>		
E3SBI75-9	E3SBI75-9S	9"
E3SBI75-12	E3SBI75-12S	12"
E3SBI75-15	E3SBI75-15S	15"
<b>1" Thick Shelf</b>		
E3SBI1-9	E3SBI1-9S	9"
E3SBI1-12	E3SBI1-12S	12"
E3SBI1-15	E3SBI1-15S	15"

## Envision 3.5 - Shelf Lip

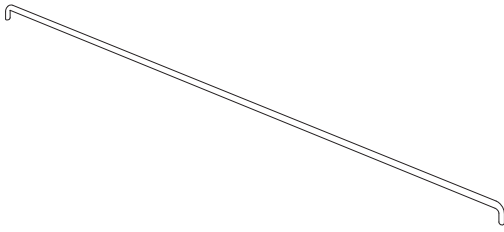


- These shelf lips to be used with Envision 3.5 shelves

Cat. No.		Width
Painted Steel	Stainless Steel	
<b>Shelf Lip Front Mount</b>		
E35SLF-42	E35SLF-42S	37.75"
E35SLF-48	E35SLF-48S	43.75"
E35SLF-60	E35SLF-60S	55.75"
E35SLF-72	E35SLF-72S	67.75"
<b>Shelf Lip Rear Mount</b>		
E35SLR-42	E35SLR-42S	37.75"
E35SLR-48	E35SLR-48S	43.75"
E35SLR-60	E35SLR-60S	55.75"
E35SLR-72	E35SLR-72S	67.75"

# Envision 3.5

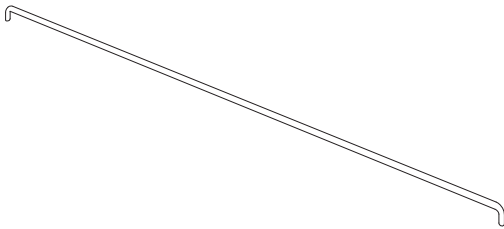
## Envision 3.5 - Front Shelf Rod



- These shelf rods to be used with Envision 3.5 shelves
- Anything above 48" wide will require a center bracket, which is included.

Cat. No.		Number of Rods	Width
Aluminum	Stainless Steel		
E3SRF-42	E3SRF-42S	1	38.875"
E3SRF-48	E3SRF-48S	1	44.875"
E3SRF-60	E3SRF-60S	2	27.875"
E3SRF-72	E3SRF-72S	2	33.875"

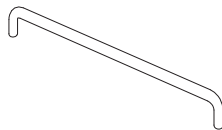
## Envision 3.5 - Rear Shelf Rod



- These shelf rods to be used with Envision 3.5 shelves
- Anything above 48" wide will require a center bracket, which is included.

Cat. No.		Number of Rods	Width
Aluminum	Stainless Steel		
E3SRR-42	E3SRR-42S	1	36.75"
E3SRR-48	E3SRR-48S	1	42.75"
E3SRR-60	E3SRR-60S	2	25.75"
E3SRR-72	E3SRR-72S	2	31.75"

## Envision 3.5 - Side Shelf Rod



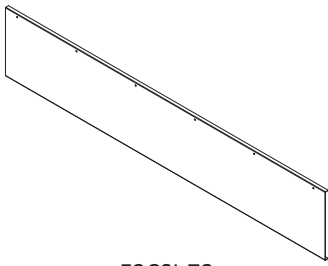
- These shelf rods to be used with Envision 3.5 shelves

Cat. No.		Number of Rods	Depth
Aluminum	Stainless Steel		
E3SRS-9	E3SRS-9S	1	7"
E3SRS-12	E3SRS-12S	1	10"
E3SRS-15	E3SRS-15S	1	13"

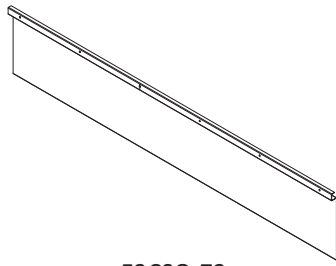
## Wall Cabinet Hanger Bars

- Not available for Envision 3.5

## Envision 3.5 - Cabinet Stop



E3CSI-72

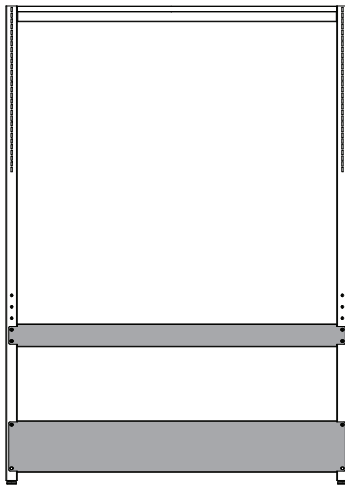


E3CSO-72

- These Cabinet Stops are to be used with Envision 3.5
- They are to prevent mobile cabinet from rolling to far under the work surface

Cat. No.		Actual Width	Width
For Inset Cabinet	For Overlay Cabinet		
E3CSI-42	E3CSO-42	34.75"	42"
E3CSI-48	E3CSO-48	40.75"	48"
E3CSI-60	E3CSO-60	52.75"	60"
E3CSI-72	E3CSO-72	64.75"	72"

## Envision 3.5 - Stabilizer Bar



Elevation of Stabilizer Bars

- These Stabilizer Bars are to be used with Envision 3.5

Cat. No.		Width
Lower Brace	Upper Brace	
E3SBRL-42	E3SBRU-42	42"
E3SBRL-48	E3SBRU-48	48"
E3SBRL-60	E3SBRU-60	60"
E3SBRL-72	E3SBRU-72	72"

## Envision 3.5 - Table Support Clamps



- These are to be used with Envision 3.5
- Kit of 2 with hardware
- Use for all tables on backside of 6" uprights

Cat. No.	Type
E3TSC	Table Support Clamps

# Envision 3.5

## LED Task Lighting for Envision 3.5



- Touch and hold continuous dimming and 10 hour automatic turnoff
- Units with (1) light include: (1) LED task light, magnetic angle mount that allows for up to 25° adjustment, 60 watt power supply with magnetic mount and 6' white cord
- Units with (2) lights include: (2) LED task light, magnetic angle mount that allows for up to 25° adjustment, 60 watt power supply with magnetic mount, 6' white cord, and 1 interlink cord to connect lights
- 60 watt power supply with magnetic mount and 6' white cord
- Made with anodized aluminum
- Lasts up to 50,000 hours

Cat. No.	Quantity of Lights	Actual Width	For use with:
<b>Single Sided</b>			
TL17-LED	1	17"	42" wide Table
TL17-LED	1	17"	48" wide Table
TL34-LED	2	17"	60" wide Table
TL34-LED	2	17"	72" wide Table
<b>Double Sided</b>			
TL17-LEDDBL	2	17"	42" wide Table
TL17-LEDDBL	2	17"	48" wide Table
TL34-LEDDBL	4	17"	60" wide Table
TL34-LEDDBL	4	17"	72" wide Table

## Envision 3.5 Electrical for 6" upright

**Sample:** E35W6I  $\frac{\quad}{1} \frac{\quad}{2} \frac{\quad}{3}$  - (width of upright)

**Space 1 Options:**

G = Grey  
I = Ivory  
W = White

**Space 2 Options:**

4 = 4' cord above upright  
6 = 6' cord above upright

**Space 3 Options:**

(Blank) = Standard outlet  
G = GFI outlet

Cat. No.	Description	Width Options
E35W6I ___ - ___	2 circuit, 1 plug, 6 electrical outlets	42", 48", 60", 72"
E35W6J ___ - ___	2 circuit, 2 plug, 6 electrical outlets	42", 48", 60", 72"
E35W6K ___ - ___	3 circuit, 2 plug, 6 electrical outlets	42", 48", 60", 72"
E35W6L ___ - ___	4 circuit, 2 plug, 6 electrical outlets	42", 48", 60", 72"

**Example:** E35W6IG4G-48

Envision 3.5 Wiring for 6" upright, Grey, 2 circuit, 1 plug, 6 GFI outlets, for 48" wide upright

**Note:** All electrical components are UL Labeled and pre-wiring is UL Listed

# Envision 3.5 Data

## Envision 3.5 Data for 6" upright

**Sample:** E35D6<sub>1</sub><sub>2</sub><sub>3</sub> - (width of upright)

**Space 1 Options:**

2 = Double Data

4 = Quad Data

**Space 2 Options:**

G = Light Grey

**Space 3 Options:**

4 = 4' cord above upright

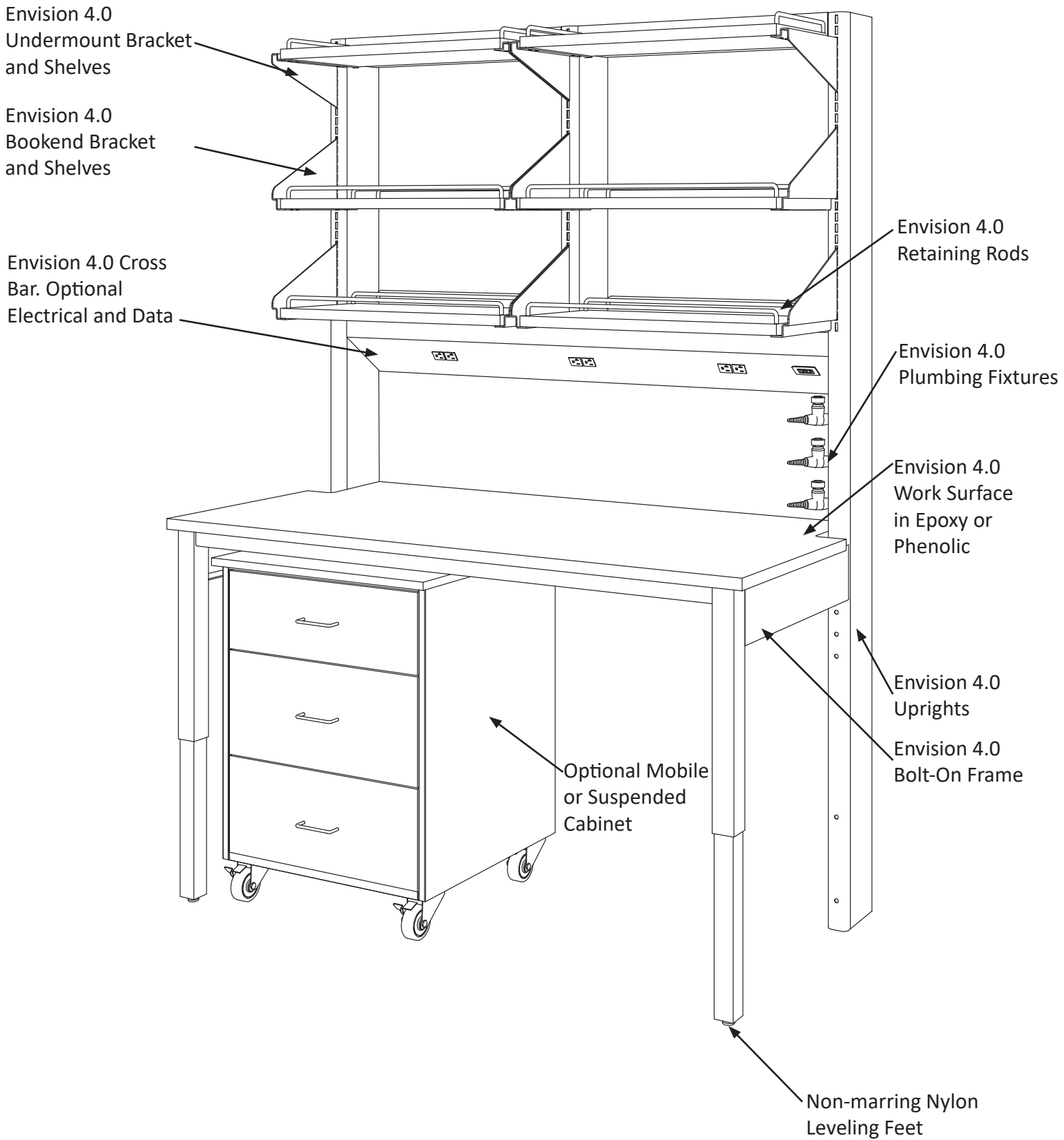
6 = 6' cord above upright

Cat. No.	Description	Width Options
E35D6____-__	Double Data Outlet	42", 48", 60", 72"
E35D6____-__	Quad Data Outlet	42", 48", 60", 72"

**Example:** E35D62G4-48

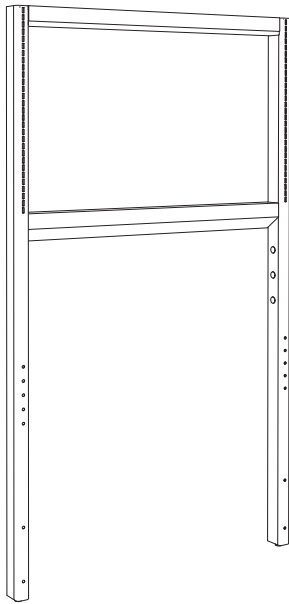
Envision 3.5 Data for 6" upright, Light Grey, Double Data Outlet, for 48" wide upright

**Note:** Data is CAT-5E



# Envision 4.0

## Envision 4.0 - 3" Uprights with Plumbing Cutouts Only



E4U3B-48R

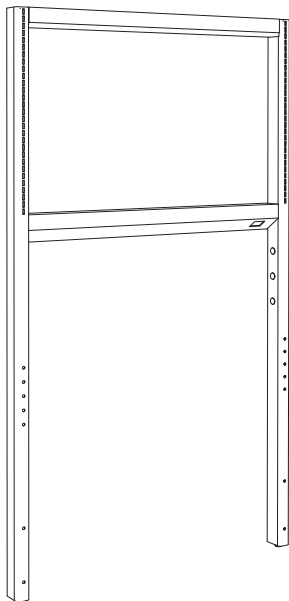
- Uprights are 3" Deep Envision 4.0, Single Sided
- Heights is 84"
- Upright with a width greater than 48" has a center upright
- For Stainless Steel contact your ICI representative

### Includes:

- (3) plumbing cutouts on the noted side

Cat. No.		Width
Left Hand Plumbing	Right Hand Plumbing	
E4U3B-42L	E4U3B-42R	42"
E4U3B-48L	E4U3B-48R	48"
E4U3B-60L	E4U3B-60R	60"
E4U3B-72L	E4U3B-72R	72"
E4U3B-84L	E4U3B-84R	84"
E4U3B-96L	E4U3B-96R	96"

## Envision 4.0 - 3" Uprights with Plumbing and Data Cutouts Only



E4U3D-48R

- Uprights are 3" Deep Envision 4.0, Single Sided
- Heights is 84"
- Upright with a width greater than 48" has a center upright
- For Stainless Steel contact your ICI representative

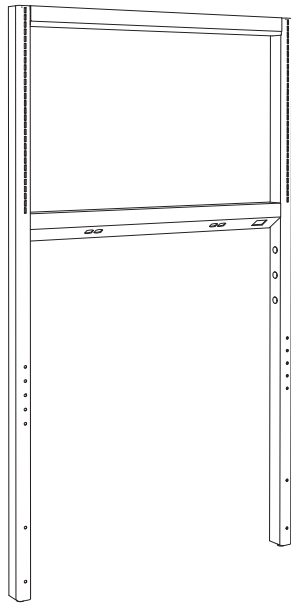
### Includes:

- (3) plumbing cutouts on the noted side
- (1) data cutout on cross bar on same side as plumbing cutouts

Cat. No.		Width
Left Hand Plumbing	Right Hand Plumbing	
E4U3D-42L	E4U3D-42R	42"
E4U3D-48L	E4U3D-48R	48"
E4U3D-60L	E4U3D-60R	60"
E4U3D-72L	E4U3D-72R	72"
E4U3D-84L	E4U3D-84R	84"
E4U3D-96L	E4U3D-96R	96"



## Envision 4.0 - 3" Uprights with Plumbing, Data, and Standard Electric Cutouts Only



E4U3DE-48R

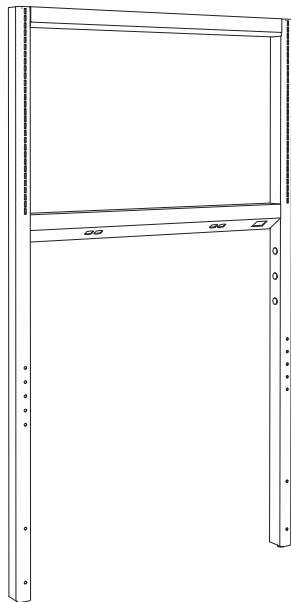
- Uprights are 3" Deep Envision 4.0, Single Sided
- Heights is 84"
- Upright with a width greater than 48" has a center upright
- For Stainless Steel contact your ICI representative

**Includes:**

- (3) plumbing cutouts on the noted side
- (1) data cutout on cross bar on same side as plumbing cutouts
- 42" - 48" wide uprights have (2) standard electric cutouts on cross bar
- 60" - 96" wide uprights have (3) standard electric cutouts on cross bar
- (1) standard electric cutout on post opposite plumbing

Cat. No.		Width
Left Hand Plumbing	Right Hand Plumbing	
E4U3DE-42L	E4U3DE-42R	42"
E4U3DE-48L	E4U3DE-48R	48"
E4U3DE-60L	E4U3DE-60R	60"
E4U3DE-72L	E4U3DE-72R	72"
E4U3DE-84L	E4U3DE-84R	84"
E4U3DE-96L	E4U3DE-96R	96"

## Envision 4.0 - 3" Uprights with Plumbing, Data, and Standard & GFI Electric Cutouts Only



E4U3DEG-48R

- Uprights are 3" Deep Envision 4.0, Single Sided
- Heights is 84"
- Upright with a width greater than 48" has a center upright
- For Stainless Steel contact your ICI representative

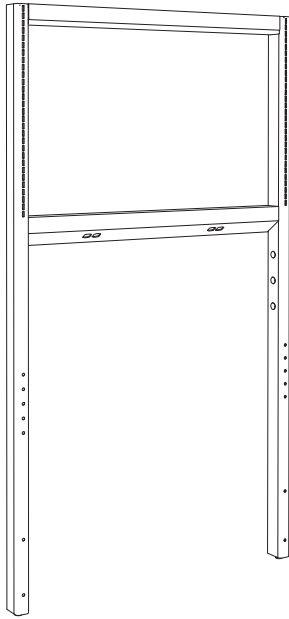
**Includes:**

- (3) plumbing cutouts on the noted side
- (1) data cutout on cross bar on same side as plumbing cutouts
- 42" - 48" wide uprights have (2) standard electric cutouts on cross bar
- 60" - 96" wide uprights have (3) standard electric cutouts on cross bar
- (1) GFI electric cutout on post opposite plumbing

Cat. No.		Width
Left Hand Plumbing	Right Hand Plumbing	
E4U3DEG-42L	E4U3DEG-42R	42"
E4U3DEG-48L	E4U3DEG-48R	48"
E4U3DEG-60L	E4U3DEG-60R	60"
E4U3DEG-72L	E4U3DEG-72R	72"
E4U3DEG-84L	E4U3DEG-84R	84"
E4U3DEG-96L	E4U3DEG-96R	96"

# Envision 4.0

## Envision 4.0 - 3" Uprights with Plumbing, and Standard Electric Cutouts Only



E4U3E-48R

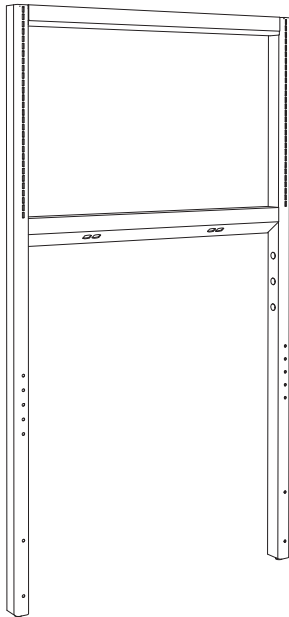
- Uprights are 3" Deep Envision 4.0, Single Sided
- Heights is 84"
- Upright with a width greater than 48" has a center upright
- For Stainless Steel contact your ICI representative

### Includes:

- (3) plumbing cutouts on the noted side
- 42" - 48" wide uprights have (2) standard electric cutouts on cross bar
- 60" - 96" wide uprights have (3) standard electric cutouts on cross bar
- (1) standard electric cutout on post opposite plumbing

Cat. No.		Width
Left Hand Plumbing	Right Hand Plumbing	
E4U3E-42L	E4U3E-42R	42"
E4U3E-48L	E4U3E-48R	48"
E4U3E-60L	E4U3E-60R	60"
E4U3E-72L	E4U3E-72R	72"
E4U3E-84L	E4U3E-84R	84"
E4U3E-96L	E4U3E-96R	96"

## Envision 4.0 - 3" Uprights with Plumbing, and Standard & GFI Electric Cutouts Only



E3U3E-48R

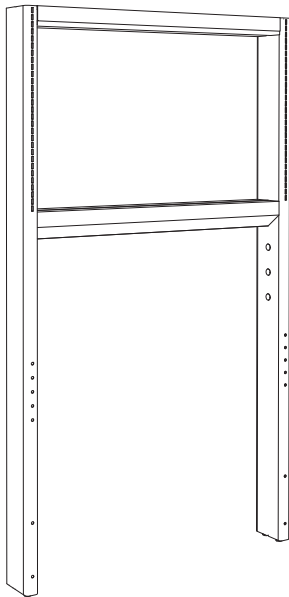
- Uprights are 3" Deep Envision 4.0, Single Sided
- Heights is 84"
- Upright with a width greater than 48" has a center upright
- For Stainless Steel contact your ICI representative

### Includes:

- (3) plumbing cutouts on the noted side
- 42" - 48" wide uprights have (2) standard electric cutouts on cross bar
- 60" - 96" wide uprights have (3) standard electric cutouts on cross bar
- (1) GFI electric cutout on post opposite plumbing

Cat. No.		Width
Left Hand Plumbing	Right Hand Plumbing	
E4U3EG-42L	E4U3EG-42R	42"
E4U3EG-48L	E4U3EG-48R	48"
E4U3EG-60L	E4U3EG-60R	60"
E4U3EG-72L	E4U3EG-72R	72"
E4U3EG-84L	E4U3EG-84R	84"
E4U3EG-96L	E4U3EG-96R	96"

## Envision 4.0 - 6" Uprights with Plumbing Cutouts Only



E4U6B-48

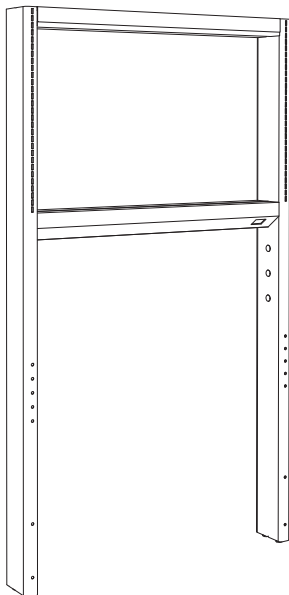
- Uprights are 6" Deep Envision 4.0, Double Sided
- Heights is 84"
- Upright with a width greater than 48" has a center upright
- For Stainless Steel contact your ICI representative

**Includes:**

- (3) plumbing cutouts on one side

Cat. No.	Width
E4U6B-42	42"
E4U6B-48	48"
E4U6B-60	60"
E4U6B-72	72"
E4U6B-84	84"
E4U6B-96	96"

## Envision 4.0 - 6" Uprights with Plumbing, and Data Cutouts Only



E4U6D-48

- Uprights are 6" Deep Envision 4.0, Double Sided
- Heights is 84"
- Upright with a width greater than 48" has a center upright
- For Stainless Steel contact your ICI representative

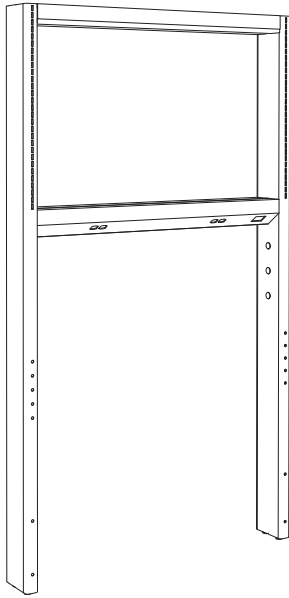
**Includes:**

- (3) plumbing cutouts on one side
- (1) data cutout on cross bar on same side as plumbing cutouts

Cat. No.	Width
E4U6D-42	42"
E4U6D-48	48"
E4U6D-60	60"
E4U6D-72	72"
E4U6D-84	84"
E4U6D-96	96"

# Envision 4.0

## Envision 4.0 - 6" Uprights with Plumbing, Data, and Standard Electric Cutouts Only



E4U6DE-48

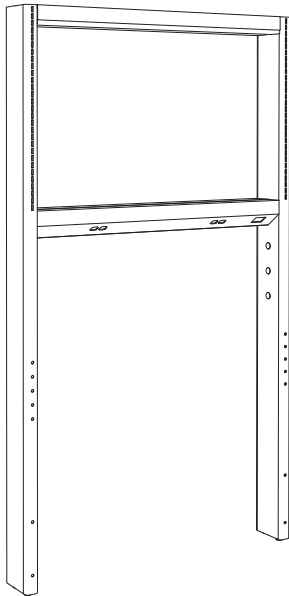
- Uprights are 6" Deep Envision 4.0, Double Sided
- Heights is 84"
- Upright with a width greater than 48" has a center upright
- For Stainless Steel contact your ICI representative

### Includes:

- (3) plumbing cutouts on one side
- (1) data cutout on cross bar on same side as plumbing cutouts
- 42" - 48" wide uprights have (4) standard electric cutouts on cross bar
- 60" - 96" wide uprights have (6) standard electric cutouts on cross bar
- (2) standard electric cutout on opposite post as the plumbing cutouts

Cat. No.	Width
E4U6DE-42	42"
E4U6DE-48	48"
E4U6DE-60	60"
E4U6DE-72	72"
E4U6DE-84	84"
E4U6DE-96	96"

## Envision 4.0 - 6" Uprights with Plumbing, Data, and Standard & GFI Electric Cutouts Only



E4U6DEG-48

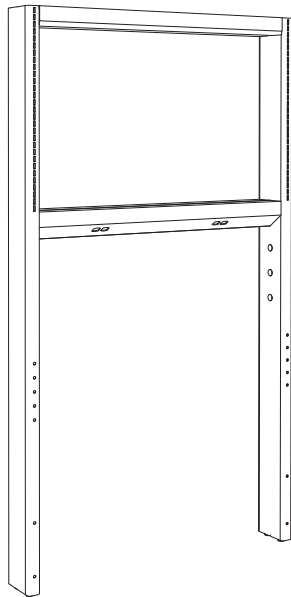
- Uprights are 6" Deep Envision 4.0, Double Sided
- Heights is 84"
- Upright with a width greater than 48" has a center upright
- For Stainless Steel contact your ICI representative

### Includes:

- (3) plumbing cutouts on one side
- (1) data cutout on cross bar on same side as plumbing cutouts
- 42" - 48" wide uprights have (4) standard electric cutouts on cross bar
- 60" - 96" wide uprights have (6) standard electric cutouts on cross bar
- (2) GFI electric cutout on opposite post as the plumbing cutouts

Cat. No.	Width
E4U6DEG-42	42"
E4U6DEG-48	48"
E4U6DEG-60	60"
E4U6DEG-72	72"
E4U6DEG-84	84"
E4U6DEG-96	96"

## Envision 4.0 - 6" Uprights with Plumbing, and Standard Electric Cutouts Only



E4U6E-48

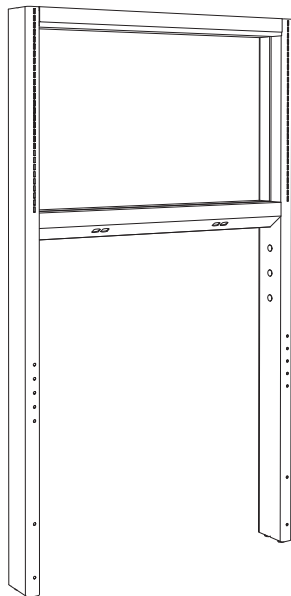
- Uprights are 6" Deep Envision 4.0, Double Sided
- Heights is 84"
- Upright with a width greater than 48" has a center upright
- For Stainless Steel contact your ICI representative

**Includes:**

- (3) plumbing cutouts on one side
- 42" - 48" wide uprights have (4) standard electric cutouts on cross bar
- 60" - 96" wide uprights have (6) standard electric cutouts on cross bar
- (2) standard electric cutout on opposite post as the plumbing cutouts

Cat. No.	Width
E4U6E-42	42"
E4U6E-48	48"
E4U6E-60	60"
E4U6E-72	72"
E4U6E-84	84"
E4U6E-96	96"

## Envision 4.0 - 6" Uprights with Plumbing, and Standard & GFI Electric Cutouts Only



E4U6EG-48

- Uprights are 6" Deep Envision 4.0, Double Sided
- Heights is 84"
- Upright with a width greater than 48" has a center upright
- For Stainless Steel contact your ICI representative

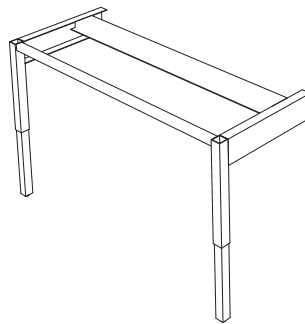
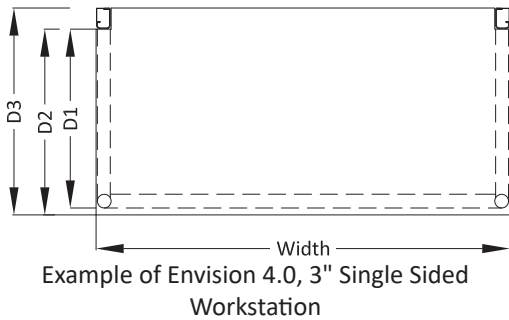
**Includes:**

- (3) plumbing cutouts on one side
- 42" - 48" wide uprights have (4) standard electric cutouts on cross bar
- 60" - 96" wide uprights have (6) standard electric cutouts on cross bar
- (2) GFI electric cutout on opposite post as the plumbing cutouts

Cat. No.	Width
E4U6EG-42	42"
E4U6EG-48	48"
E4U6EG-60	60"
E4U6EG-72	72"
E4U6EG-84	84"
E4U6EG-96	96"

# Envision 4.0

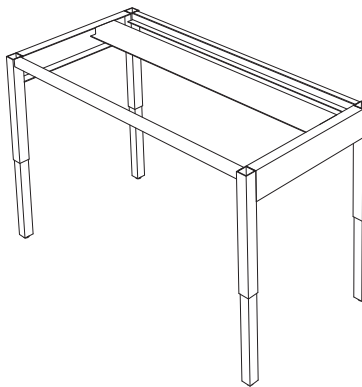
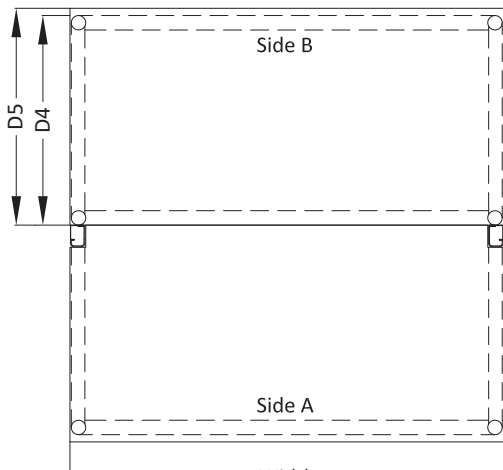
## Envision 4.0 - Bolt-on Frame - 3" Upright Single Sided



- Envision 4.0 Bolt-On Frames are to be attached to any Envision 4.0 uprights
- Only (1) Bolt-On Frame can be attached to a 3" upright
- (2) Bolt-On Frames can be attached to 6" uprights to make a double sided workstation
- Adjustable Height work surface frame from 30 1/4" - 36 1/4", in 2" increments
- For Stainless Steel, contact your ICI Representative
- Work Surface ordered separately
- Work Surface depth details listed below see page 72 for work surface part numbers

Bolt-on Frame Cat. No.	Depth of Bolt-on Frame (D1)	Nominal Depth of Bolt-on Frame (D2)	Depth of Work Surface with 3" Notch (D3)	Width
<b>Nominal 21" Deep</b>				
E4CTFB-2142	20"	21"	24"	42"
E4CTFB-2148	20"	21"	24"	48"
E4CTFB-2160	20"	21"	24"	60"
E4CTFB-2172	20"	21"	24"	72"
E4CTFB-2184	20"	21"	24"	84"
E4CTFB-2196	20"	21"	24"	96"
<b>Nominal 24" Deep</b>				
E4CTFB-2442	23"	24"	27"	42"
E4CTFB-2448	23"	24"	27"	48"
E4CTFB-2460	23"	24"	27"	60"
E4CTFB-2472	23"	24"	27"	72"
E4CTFB-2484	23"	24"	27"	84"
E4CTFB-2496	23"	24"	27"	96"
<b>Nominal 27" Deep</b>				
E4CTFB-2742	26"	27"	30"	42"
E4CTFB-2748	26"	27"	30"	48"
E4CTFB-2760	26"	27"	30"	60"
E4CTFB-2772	26"	27"	30"	72"
E4CTFB-2784	26"	27"	30"	84"
E4CTFB-2796	26"	27"	30"	96"
<b>Nominal 30" Deep</b>				
E4CTFB-3042	29"	30"	33"	42"
E4CTFB-3048	29"	30"	33"	48"
E4CTFB-3060	29"	30"	33"	60"
E4CTFB-3072	29"	30"	33"	72"
E4CTFB-3084	29"	30"	33"	84"
E4CTFB-3096	29"	30"	33"	96"
<b>Nominal 33" Deep</b>				
E4CTFB-3342	32"	33"	36"	42"
E4CTFB-3348	32"	33"	36"	48"
E4CTFB-3360	32"	33"	36"	60"
E4CTFB-3372	32"	33"	36"	72"
E4CTFB-3384	32"	33"	36"	84"
E4CTFB-3396	32"	33"	36"	96"

## Envision 4.0 - Bolt-On and Table - 3" Uprights Double Sided



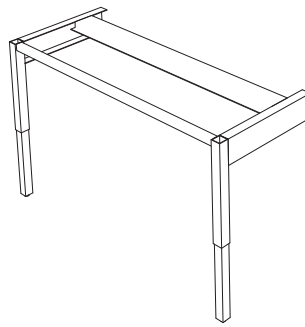
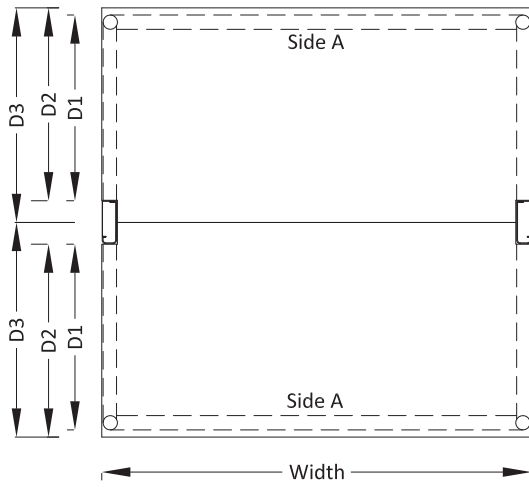
- Envision 4.0 Tables are to be used to make a double sided workstation with a 3" or 6" upright
- Envision 4.0 Tables can also be free standing tables
- Adjustable Height work surface frame from 30 1/4" - 36 1/4", in 2" increments
- For Stainless Steel, contact your ICI Representative
- Work Surface ordered separately
- Work Surface depth details for Side A listed on previous page
- Work Surface depth details for Side B listed below see page 74 for work surface part numbers

Example of Envision 4.0, 3" Upright Double Sided Workstation

Bolt-on Frame Cat. No.	Depth of Frame/Table (D4)	Depth of Work Surface with No Notch (D5)	Width	Bolt-on Frame Cat. No.	Depth of Frame/Table (D4)	Depth of Work Surface with No Notch (D5)	Width
<b>Nominal 15" Deep</b>				<b>Nominal 27" Deep</b>			
E4CTFT-1542	14"	15"	42"	E4CTFT-2742	26"	27"	42"
E4CTFT-1548	14"	15"	48"	E4CTFT-2748	26"	27"	48"
E4CTFT-1560	14"	15"	60"	E4CTFT-2760	26"	27"	60"
E4CTFT-1572	14"	15"	72"	E4CTFT-2772	26"	27"	72"
E4CTFT-1584	14"	15"	84"	E4CTFT-2784	26"	27"	84"
E4CTFT-1596	14"	15"	96"	E4CTFT-2796	26"	27"	96"
<b>Nominal 18" Deep</b>				<b>Nominal 30" Deep</b>			
E4CTFT-1842	17"	18"	42"	E4CTFT-3042	29"	30"	42"
E4CTFT-1848	17"	18"	48"	E4CTFT-3048	29"	30"	48"
E4CTFT-1860	17"	18"	60"	E4CTFT-3060	29"	30"	60"
E4CTFT-1872	17"	18"	72"	E4CTFT-3072	29"	30"	72"
E4CTFT-1884	17"	18"	84"	E4CTFT-3084	29"	30"	84"
E4CTFT-1896	17"	18"	96"	E4CTFT-3096	29"	30"	96"
<b>Nominal 19" Deep</b>				<b>Nominal 33" Deep</b>			
E4CTFT-1942	18"	19"	42"	E4CTFT-3342	32"	33"	42"
E4CTFT-1948	18"	19"	48"	E4CTFT-3348	32"	33"	48"
E4CTFT-1960	18"	19"	60"	E4CTFT-3360	32"	33"	60"
E4CTFT-1972	18"	19"	72"	E4CTFT-3372	32"	33"	72"
E4CTFT-1984	18"	19"	84"	E4CTFT-3384	32"	33"	84"
E4CTFT-1996	18"	19"	96"	E4CTFT-3396	32"	33"	96"
<b>Nominal 21" Deep</b>				<b>Nominal 36" Deep</b>			
E4CTFT-2142	20"	21"	42"	E4CTFT-3642	35"	36"	42"
E4CTFT-2148	20"	21"	48"	E4CTFT-3648	35"	36"	48"
E4CTFT-2160	20"	21"	60"	E4CTFT-3660	35"	36"	60"
E4CTFT-2172	20"	21"	72"	E4CTFT-3672	35"	36"	72"
E4CTFT-2184	20"	21"	84"	E4CTFT-3684	35"	36"	84"
E4CTFT-2196	20"	21"	96"	E4CTFT-3696	35"	36"	96"
<b>Nominal 24" Deep</b>							
E4CTFT-2442	23"	24"	42"				
E4CTFT-2448	23"	24"	48"				
E4CTFT-2460	23"	24"	60"				
E4CTFT-2472	23"	24"	72"				
E4CTFT-2484	23"	24"	84"				
E4CTFT-2496	23"	24"	96"				

# Envision 4.0

## Envision 4.0 - Bolt-On Frame - 6" Uprights Double Sided



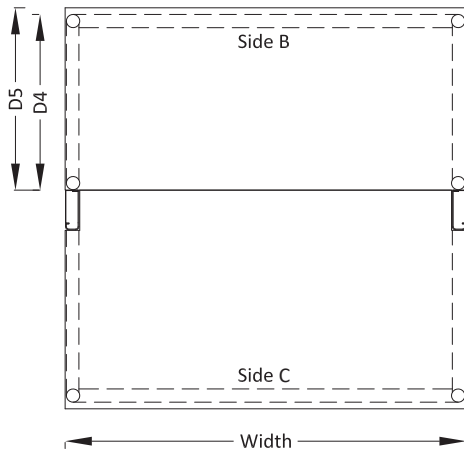
- Envision 4.0 Bolt-On Frames are to be attached to any Envision 4.0 uprights
- Only (1) Bolt-On Frame can be attached to a 3" upright
- (2) Bolt-On Frames can be attached to 6" uprights to make a double sided workstation
- Adjustable Height work surface frame from 30 1/4" - 36 1/4", in 2" increments
- For Stainless Steel, contact your ICI Representative
- Work Surface depth details for Side A listed below see page 72 for work surface part numbers

Example of Envision 4.0, 6" Upright Double Sided Workstation with (2) Bolt-on Frames

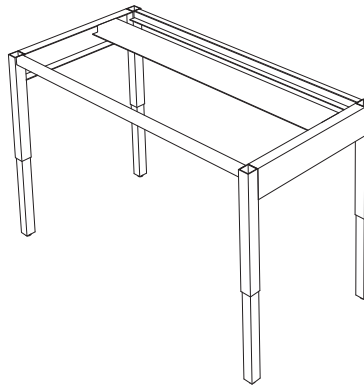
Bolt-on Frame Cat. No.	Depth of Bolt-on Frame (D1)	Nominal Depth of Bolt-on Frame (D2)	Depth of Work Surface with 3" Notch (D3)	Width
<b>Nominal 21" Deep</b>				
E4CTFB-2142	20"	21"	24"	42"
E4CTFB-2148	20"	21"	24"	48"
E4CTFB-2160	20"	21"	24"	60"
E4CTFB-2172	20"	21"	24"	72"
E4CTFB-2184	20"	21"	24"	84"
E4CTFB-2196	20"	21"	24"	96"
<b>Nominal 24" Deep</b>				
E4CTFB-2442	23"	24"	27"	42"
E4CTFB-2448	23"	24"	27"	48"
E4CTFB-2460	23"	24"	27"	60"
E4CTFB-2472	23"	24"	27"	72"
E4CTFB-2484	23"	24"	27"	84"
E4CTFB-2496	23"	24"	27"	96"
<b>Nominal 27" Deep</b>				
E4CTFB-2742	26"	27"	30"	42"
E4CTFB-2748	26"	27"	30"	48"
E4CTFB-2760	26"	27"	30"	60"
E4CTFB-2772	26"	27"	30"	72"
E4CTFB-2784	26"	27"	30"	84"
E4CTFB-2796	26"	27"	30"	96"
<b>Nominal 30" Deep</b>				
E4CTFB-3042	29"	30"	33"	42"
E4CTFB-3048	29"	30"	33"	48"
E4CTFB-3060	29"	30"	33"	60"
E4CTFB-3072	29"	30"	33"	72"
E4CTFB-3084	29"	30"	33"	84"
E4CTFB-3096	29"	30"	33"	96"



## Envision 4.0 - Bolt-On and Frame/Table - 6" Uprights Double Sided



Example of Envision 4.0, 6" Upright Double Sided Workstation with (1) Bolt-on and (1) Frame/Table

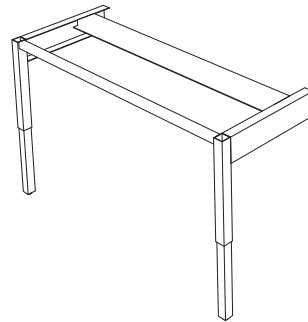
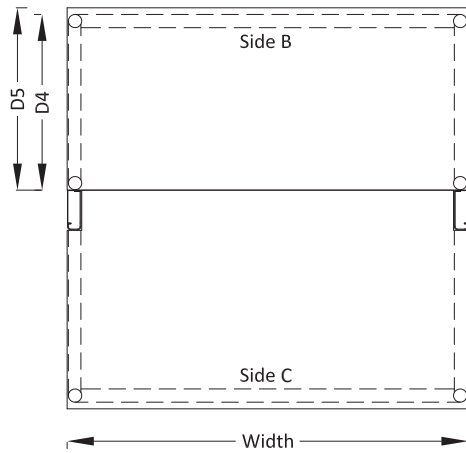


- Envision 4.0 Tables are to be used to make a double sided workstation with a 3" or 6" upright
- Envision 4.0 Tables can also be free standing tables
- Adjustable Height work surface frame from 30 1/4" - 36 1/4", in 2" increments
- For Stainless Steel, contact your ICI Representative
- Work Surface ordered separately
- Work Surface depth details for Side C listed on next page
- Work Surface depth details for Side B listed below see page 74 for work surface part numbers

Bolt-on Frame Cat. No.	Depth of Frame/Table (D4)	Depth of Work Surface with No Notch (D5)	Width	Bolt-on Frame Cat. No.	Depth of Frame/Table (D4)	Depth of Work Surface with No Notch (D5)	Width
<b>Nominal 15" Deep</b>				<b>Nominal 27" Deep</b>			
E4CTFT-1542	14"	15"	42"	E4CTFT-2742	26"	27"	42"
E4CTFT-1548	14"	15"	48"	E4CTFT-2748	26"	27"	48"
E4CTFT-1560	14"	15"	60"	E4CTFT-2760	26"	27"	60"
E4CTFT-1572	14"	15"	72"	E4CTFT-2772	26"	27"	72"
E4CTFT-1584	14"	15"	84"	E4CTFT-2784	26"	27"	84"
E4CTFT-1596	14"	15"	96"	E4CTFT-2796	26"	27"	96"
<b>Nominal 18" Deep</b>				<b>Nominal 30" Deep</b>			
E4CTFT-1842	17"	18"	42"	E4CTFT-3042	29"	30"	42"
E4CTFT-1848	17"	18"	48"	E4CTFT-3048	29"	30"	48"
E4CTFT-1860	17"	18"	60"	E4CTFT-3060	29"	30"	60"
E4CTFT-1872	17"	18"	72"	E4CTFT-3072	29"	30"	72"
E4CTFT-1884	17"	18"	84"	E4CTFT-3084	29"	30"	84"
E4CTFT-1896	17"	18"	96"	E4CTFT-3096	29"	30"	96"
<b>Nominal 19" Deep</b>				<b>Nominal 33" Deep</b>			
E4CTFT-1942	18"	19"	42"	E4CTFT-3342	32"	33"	42"
E4CTFT-1948	18"	19"	48"	E4CTFT-3348	32"	33"	48"
E4CTFT-1960	18"	19"	60"	E4CTFT-3360	32"	33"	60"
E4CTFT-1972	18"	19"	72"	E4CTFT-3372	32"	33"	72"
E4CTFT-1984	18"	19"	84"	E4CTFT-3384	32"	33"	84"
E4CTFT-1996	18"	19"	96"	E4CTFT-3396	32"	33"	96"
<b>Nominal 21" Deep</b>				<b>Nominal 36" Deep</b>			
E4CTFT-2142	20"	21"	42"	E4CTFT-3642	35"	36"	42"
E4CTFT-2148	20"	21"	48"	E4CTFT-3648	35"	36"	48"
E4CTFT-2160	20"	21"	60"	E4CTFT-3660	35"	36"	60"
E4CTFT-2172	20"	21"	72"	E4CTFT-3672	35"	36"	72"
E4CTFT-2184	20"	21"	84"	E4CTFT-3684	35"	36"	84"
E4CTFT-2196	20"	21"	96"	E4CTFT-3696	35"	36"	96"
<b>Nominal 24" Deep</b>							
E4CTFT-2442	23"	24"	42"				
E4CTFT-2448	23"	24"	48"				
E4CTFT-2460	23"	24"	60"				
E4CTFT-2472	23"	24"	72"				
E4CTFT-2484	23"	24"	84"				
E4CTFT-2496	23"	24"	96"				

# Envision 4.0

## Envision 4.0 - Bolt-On and Table - 6" Uprights Double Sided

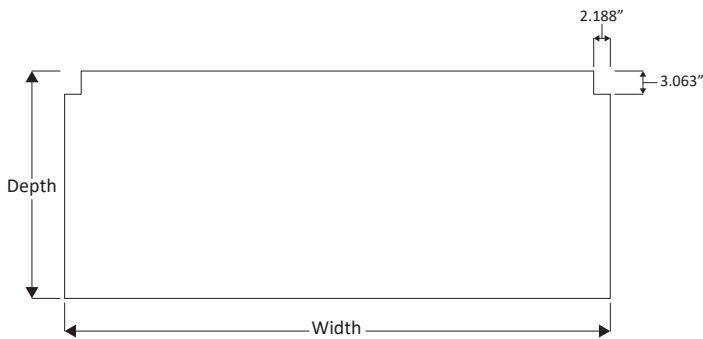


Example of Envision 3.0, 6" Upright Double Sided Workstation with (1) Bolt-on and (1) Table

- Envision 4.0 Tables are to be used to make a double sided workstation with a 3" or 6" upright
- Envision 4.0 Tables can also be free standing tables
- Adjustable Height work surface frame from 30 1/4" - 36 1/4", in 2" increments
- For Stainless Steel, contact your ICI Representative
- Work Surface ordered separately
- Work Surface depth details for Side B listed on previous page
- Work Surface depth details for Side C listed below see page 73 for work surface part numbers

Bolt-on Frame Cat. No.	Depth of Bolt-on Frame (D1)	Nominal Depth of Bolt-on Frame (D2)	Depth of Work Surface with 6" Notch (D3)	Width
<b>Nominal 21" Deep</b>				
E4CTFB-2142	20"	21"	27"	42"
E4CTFB-2148	20"	21"	27"	48"
E4CTFB-2160	20"	21"	27"	60"
E4CTFB-2172	20"	21"	27"	72"
E4CTFB-2184	20"	21"	27"	84"
E4CTFB-2196	20"	21"	27"	96"
<b>Nominal 24" Deep</b>				
E4CTFB-2442	23"	24"	30"	42"
E4CTFB-2448	23"	24"	30"	48"
E4CTFB-2460	23"	24"	30"	60"
E4CTFB-2472	23"	24"	30"	72"
E4CTFB-2484	23"	24"	30"	84"
E4CTFB-2496	23"	24"	30"	96"
<b>Nominal 27" Deep</b>				
E4CTFB-2742	26"	27"	33"	42"
E4CTFB-2748	26"	27"	33"	48"
E4CTFB-2760	26"	27"	33"	60"
E4CTFB-2772	26"	27"	33"	72"
E4CTFB-2784	26"	27"	33"	84"
E4CTFB-2796	26"	27"	33"	96"
<b>Nominal 30" Deep</b>				
E4CTFB-3042	29"	30"	36"	42"
E4CTFB-3048	29"	30"	36"	48"
E4CTFB-3060	29"	30"	36"	60"
E4CTFB-3072	29"	30"	36"	72"
E4CTFB-3084	29"	30"	36"	84"
E4CTFB-3096	29"	30"	36"	96"

## Envision 4.0 - 3" Upright Notched Work Surface

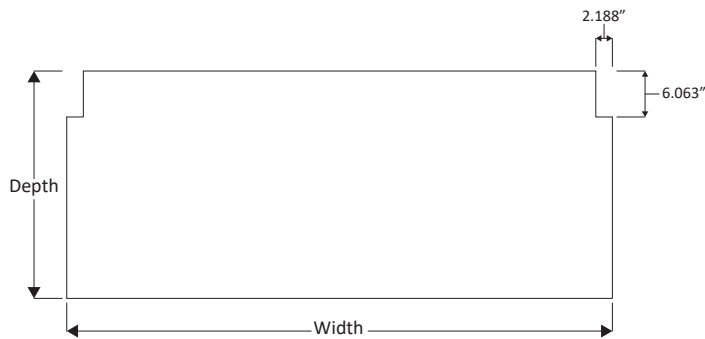


- This work surface is to be used with Envision 4.0, 3" upright

Epoxy	Cat. No. Phenolic	Stainless Steel	Width
<b>24" Deep Top</b>			
E4CT1ER3-2442	E4CT1PH3-2442	E4CT1SS3-2442	42"
E4CT1ER3-2448	E4CT1PH3-2448	E4CT1SS3-2448	48"
E4CT1ER3-2460	E4CT1PH3-2460	E4CT1SS3-2460	60"
E4CT1ER3-2472	E4CT1PH3-2472	E4CT1SS3-2472	72"
E4CT1ER3-2484	E4CT1PH3-2484	E4CT1SS3-2484	84"
E4CT1ER3-2496	E4CT1PH3-2496	E4CT1SS3-2496	96"
<b>27" Deep Top</b>			
E4CT1ER3-2742	E4CT1PH3-2742	E4CT1SS3-2742	42"
E4CT1ER3-2748	E4CT1PH3-2748	E4CT1SS3-2748	48"
E4CT1ER3-2760	E4CT1PH3-2760	E4CT1SS3-2760	60"
E4CT1ER3-2772	E4CT1PH3-2772	E4CT1SS3-2772	72"
E4CT1ER3-2784	E4CT1PH3-2784	E4CT1SS3-2784	84"
E4CT1ER3-2796	E4CT1PH3-2796	E4CT1SS3-2796	96"
<b>30" Deep Top</b>			
E4CT1ER3-3042	E4CT1PH3-3042	E4CT1SS3-3042	42"
E4CT1ER3-3048	E4CT1PH3-3048	E4CT1SS3-3048	48"
E4CT1ER3-3060	E4CT1PH3-3060	E4CT1SS3-3060	60"
E4CT1ER3-3072	E4CT1PH3-3072	E4CT1SS3-3072	72"
E4CT1ER3-3084	E4CT1PH3-3084	E4CT1SS3-3084	84"
E4CT1ER3-3096	E4CT1PH3-3096	E4CT1SS3-3096	96"
<b>33" Deep Top</b>			
E4CT1ER3-3342	E4CT1PH3-3342	E4CT1SS3-3342	42"
E4CT1ER3-3348	E4CT1PH3-3348	E4CT1SS3-3348	48"
E4CT1ER3-3360	E4CT1PH3-3360	E4CT1SS3-3360	60"
E4CT1ER3-3372	E4CT1PH3-3372	E4CT1SS3-3372	72"
E4CT1ER3-3384	E4CT1PH3-3384	E4CT1SS3-3384	84"
E4CT1ER3-3396	E4CT1PH3-3396	E4CT1SS3-3396	96"
<b>36" Deep Top</b>			
E4CT1ER3-3642	E4CT1PH3-3642	E4CT1SS3-3642	42"
E4CT1ER3-3648	E4CT1PH3-3648	E4CT1SS3-3648	48"
E4CT1ER3-3660	E4CT1PH3-3660	E4CT1SS3-3660	60"
E4CT1ER3-3672	E4CT1PH3-3672	E4CT1SS3-3672	72"
E4CT1ER3-3684	E4CT1PH3-3684	E4CT1SS3-3684	84"
E4CT1ER3-3696	E4CT1PH3-3696	E4CT1SS3-3696	96"

# Envision 4.0

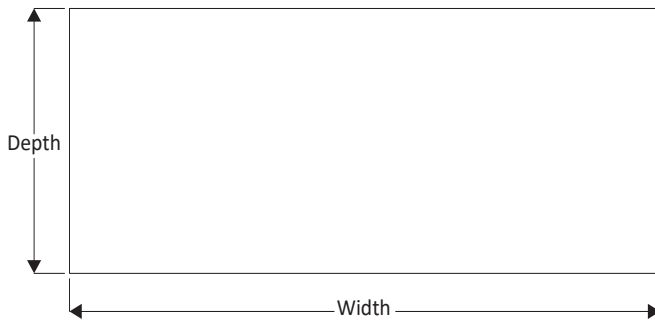
## Envision 4.0 - 6" Upright Notched Work Surface



- This work surface is to be used with Envision 4.0, 6" upright

Epoxy	Cat. No. Phenolic	Stainless Steel	Width
<b>27" Deep Top</b>			
E4CT1ER6-2742	E4CT1PH6-2742	E4CT1SS6-2742	42"
E4CT1ER6-2748	E4CT1PH6-2748	E4CT1SS6-2748	48"
E4CT1ER6-2760	E4CT1PH6-2760	E4CT1SS6-2760	60"
E4CT1ER6-2772	E4CT1PH6-2772	E4CT1SS6-2772	72"
E4CT1ER6-2784	E4CT1PH6-2784	E4CT1SS6-2784	84"
E4CT1ER6-2796	E4CT1PH6-2796	E4CT1SS6-2796	96"
<b>30" Deep Top</b>			
E4CT1ER6-3042	E4CT1PH6-3042	E4CT1SS6-3042	42"
E4CT1ER6-3048	E4CT1PH6-3048	E4CT1SS6-3048	48"
E4CT1ER6-3060	E4CT1PH6-3060	E4CT1SS6-3060	60"
E4CT1ER6-3072	E4CT1PH6-3072	E4CT1SS6-3072	72"
E4CT1ER6-3084	E4CT1PH6-3084	E4CT1SS6-3084	84"
E4CT1ER6-3096	E4CT1PH6-3096	E4CT1SS6-3096	96"
<b>33" Deep Top</b>			
E4CT1ER6-3342	E4CT1PH6-3342	E4CT1SS6-3342	42"
E4CT1ER6-3348	E4CT1PH6-3348	E4CT1SS6-3348	48"
E4CT1ER6-3360	E4CT1PH6-3360	E4CT1SS6-3360	60"
E4CT1ER6-3372	E4CT1PH6-3372	E4CT1SS6-3372	72"
E4CT1ER6-3384	E4CT1PH6-3384	E4CT1SS6-3384	84"
E4CT1ER6-3396	E4CT1PH6-3396	E4CT1SS6-3396	96"
<b>36" Deep Top</b>			
E4CT1ER6-3642	E4CT1PH6-3642	E4CT1SS6-3642	42"
E4CT1ER6-3648	E4CT1PH6-3648	E4CT1SS6-3648	48"
E4CT1ER6-3660	E4CT1PH6-3660	E4CT1SS6-3660	60"
E4CT1ER6-3672	E4CT1PH6-3672	E4CT1SS6-3672	72"
E4CT1ER6-3684	E4CT1PH6-3684	E4CT1SS6-3684	84"
E4CT1ER6-3696	E4CT1PH6-3696	E4CT1SS6-3696	96"

## Envision 4.0 - No Notch Work Surface

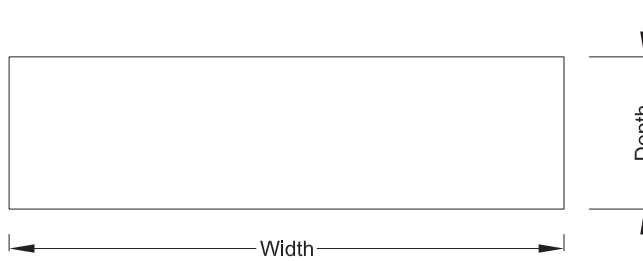


- This work surface is to be used with an Envision 4.0 Table

15" Deep Top				27" Deep Top			
Epoxy	Cat. No. Phenolic	Stainless Steel	Width	Epoxy	Cat. No. Phenolic	Stainless Steel	Width
E4CT1ERT-1542	E4CT1PHT-1542	E4CT1SST-1542	42"	E4CT1ERT-2742	E4CT1PHT-2742	E4CT1SST-2742	42"
E4CT1ERT-1548	E4CT1PHT-1548	E4CT1SST-1548	48"	E4CT1ERT-2748	E4CT1PHT-2748	E4CT1SST-2748	48"
E4CT1ERT-1560	E4CT1PHT-1560	E4CT1SST-1560	60"	E4CT1ERT-2760	E4CT1PHT-2760	E4CT1SST-2760	60"
E4CT1ERT-1572	E4CT1PHT-1572	E4CT1SST-1572	72"	E4CT1ERT-2772	E4CT1PHT-2772	E4CT1SST-2772	72"
E4CT1ERT-1584	E4CT1PHT-1584	E4CT1SST-1584	84"	E4CT1ERT-2784	E4CT1PHT-2784	E4CT1SST-2784	84"
E4CT1ERT-1596	E4CT1PHT-1596	E4CT1SST-1596	96"	E4CT1ERT-2796	E4CT1PHT-2796	E4CT1SST-2796	96"
18" Deep Top				30" Deep Top			
E4CT1ERT-1842	E4CT1PHT-1842	E4CT1SST-1842	42"	E4CT1ERT-3042	E4CT1PHT-3042	E4CT1SST-3042	42"
E4CT1ERT-1848	E4CT1PHT-1848	E4CT1SST-1848	48"	E4CT1ERT-3048	E4CT1PHT-3048	E4CT1SST-3048	48"
E4CT1ERT-1860	E4CT1PHT-1860	E4CT1SST-1860	60"	E4CT1ERT-3060	E4CT1PHT-3060	E4CT1SST-3060	60"
E4CT1ERT-1872	E4CT1PHT-1872	E4CT1SST-1872	72"	E4CT1ERT-3072	E4CT1PHT-3072	E4CT1SST-3072	72"
E4CT1ERT-1884	E4CT1PHT-1884	E4CT1SST-1884	84"	E4CT1ERT-3084	E4CT1PHT-3084	E4CT1SST-3084	84"
E4CT1ERT-1896	E4CT1PHT-1896	E4CT1SST-1896	96"	E4CT1ERT-3096	E4CT1PHT-3096	E4CT1SST-3096	96"
19" Deep Top				33" Deep Top			
E4CT1ERT-1942	E4CT1PHT-1942	E4CT1SST-1942	42"	E4CT1ERT-3342	E4CT1PHT-3342	E4CT1SST-3342	42"
E4CT1ERT-1948	E4CT1PHT-1948	E4CT1SST-1948	48"	E4CT1ERT-3348	E4CT1PHT-3348	E4CT1SST-3348	48"
E4CT1ERT-1960	E4CT1PHT-1960	E4CT1SST-1960	60"	E4CT1ERT-3360	E4CT1PHT-3360	E4CT1SST-3360	60"
E4CT1ERT-1972	E4CT1PHT-1972	E4CT1SST-1972	72"	E4CT1ERT-3372	E4CT1PHT-3372	E4CT1SST-3372	72"
E4CT1ERT-1984	E4CT1PHT-1984	E4CT1SST-1984	84"	E4CT1ERT-3384	E4CT1PHT-3384	E4CT1SST-3384	84"
E4CT1ERT-1996	E4CT1PHT-1996	E4CT1SST-1996	96"	E4CT1ERT-3396	E4CT1PHT-3396	E4CT1SST-3396	96"
21" Deep Top				36" Deep Top			
E4CT1ERT-2142	E4CT1PHT-2142	E4CT1SST-2142	42"	E4CT1ERT-3642	E4CT1PHT-3642	E4CT1SST-3642	42"
E4CT1ERT-2148	E4CT1PHT-2148	E4CT1SST-2148	48"	E4CT1ERT-3648	E4CT1PHT-3648	E4CT1SST-3648	48"
E4CT1ERT-2160	E4CT1PHT-2160	E4CT1SST-2160	60"	E4CT1ERT-3660	E4CT1PHT-3660	E4CT1SST-3660	60"
E4CT1ERT-2172	E4CT1PHT-2172	E4CT1SST-2172	72"	E4CT1ERT-3672	E4CT1PHT-3672	E4CT1SST-3672	72"
E4CT1ERT-2184	E4CT1PHT-2184	E4CT1SST-2184	84"	E4CT1ERT-3684	E4CT1PHT-3684	E4CT1SST-3684	84"
E4CT1ERT-2196	E4CT1PHT-2196	E4CT1SST-2196	96"	E4CT1ERT-3696	E4CT1PHT-3696	E4CT1SST-3696	96"
24" Deep Top							
E4CT1ERT-2442	E4CT1PHT-2442	E4CT1SST-2442	42"				
E4CT1ERT-2448	E4CT1PHT-2448	E4CT1SST-2448	48"				
E4CT1ERT-2460	E4CT1PHT-2460	E4CT1SST-2460	60"				
E4CT1ERT-2472	E4CT1PHT-2472	E4CT1SST-2472	72"				
E4CT1ERT-2484	E4CT1PHT-2484	E4CT1SST-2484	84"				
E4CT1ERT-2496	E4CT1PHT-2496	E4CT1SST-2496	96"				

# Envision 4.0

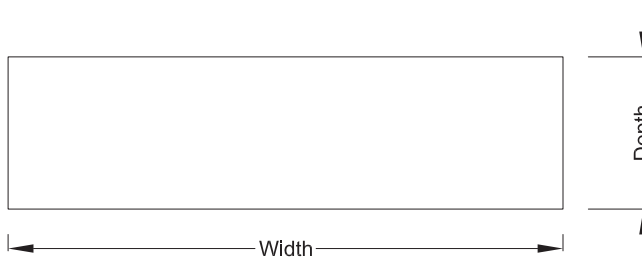
## Envision 4.0 - .75" Thick Shelving - No Rear Rod Cutout



- These shelves to be used with Envision 4.0 brackets
- Each part number includes (1) shelf. If purchasing shelves for 60" uprights or wider you must order (2) shelves

Epoxy	Cat. No.		Painted Steel	Stainless Steel	Wood - Maple	Wood - Oak	Actual Width	For Use With:
	Phenolic							
<b>9.5" Deep</b>								
E4S75ER-9542	E4S75PH-9542	E4S75MS-9542	E4S75SS-9542	E4S75WM-9542	E4S75WO-9542	37.75"	42" Wide Upright	
E4S75ER-9548	E4S75PH-9548	E4S75MS-9548	E4S75SS-9548	E4S75WM-9548	E4S75WO-9548	43.75"	48" Wide Upright	
E4S75ER-9560	E4S75PH-9560	E4S75MS-9560	E4S75SS-9560	E4S75WM-9560	E4S75WO-9560	26.75"	60" Wide Upright	
E4S75ER-9572	E4S75PH-9572	E4S75MS-9572	E4S75SS-9572	E4S75WM-9572	E4S75WO-9572	32.75"	72" Wide Upright	
E4S75ER-9584	E4S75PH-9584	E4S75MS-9584	E4S75SS-9584	E4S75WM-9584	E4S75WO-9584	38.75"	84" Wide Upright	
E4S75ER-9596	E4S75PH-9596	E4S75MS-9596	E4S75SS-9596	E4S75WM-9596	E4S75WO-9596	44.75"	96" Wide Upright	
<b>12" Deep</b>								
E3S75ER-1242	E3S75PH-1242	E3S75MS-1242	E3S75SS-1242	E4S75WM-1242	E4S75WO-1242	37.75"	42" Wide Upright	
E3S75ER-1248	E3S75PH-1248	E3S75MS-1248	E3S75SS-1248	E4S75WM-1248	E4S75WO-1248	43.75"	48" Wide Upright	
E3S75ER-1260	E3S75PH-1260	E3S75MS-1260	E3S75SS-1260	E4S75WM-1260	E4S75WO-1260	26.75"	60" Wide Upright	
E3S75ER-1272	E3S75PH-1272	E3S75MS-1272	E3S75SS-1272	E4S75WM-1272	E4S75WO-1272	32.75"	72" Wide Upright	
E3S75ER-1284	E3S75PH-1284	E3S75MS-1284	E3S75SS-1284	E4S75WM-1284	E4S75WO-1284	38.75"	84" Wide Upright	
E3S75ER-1296	E3S75PH-1296	E3S75MS-1296	E3S75SS-1296	E4S75WM-1296	E4S75WO-1296	44.75"	96" Wide Upright	
<b>13" Deep</b>								
E4S75ER-1342	E4S75PH-1342	E4S75MS-1342	E4S75SS-1342	E4S75WM-1342	E4S75WO-1342	37.75"	42" Wide Upright	
E4S75ER-1348	E4S75PH-1348	E4S75MS-1348	E4S75SS-1348	E4S75WM-1348	E4S75WO-1348	43.75"	48" Wide Upright	
E4S75ER-1360	E4S75PH-1360	E4S75MS-1360	E4S75SS-1360	E4S75WM-1360	E4S75WO-1360	26.75"	60" Wide Upright	
E4S75ER-1372	E4S75PH-1372	E4S75MS-1372	E4S75SS-1372	E4S75WM-1372	E4S75WO-1372	32.75"	72" Wide Upright	
E4S75ER-1384	E4S75PH-1384	E4S75MS-1384	E4S75SS-1384	E4S75WM-1384	E4S75WO-1384	38.75"	84" Wide Upright	
E4S75ER-1396	E4S75PH-1396	E4S75MS-1396	E4S75SS-1396	E4S75WM-1396	E4S75WO-1396	44.75"	96" Wide Upright	
<b>15" Deep</b>								
E4S75ER-1542	E4S75PH-1542	E4S75MS-1542	E4S75SS-1542	E4S75WM-1542	E4S75WO-1542	37.75"	42" Wide Upright	
E4S75ER-1548	E4S75PH-1548	E4S75MS-1548	E4S75SS-1548	E4S75WM-1548	E4S75WO-1548	43.75"	48" Wide Upright	
E4S75ER-1560	E4S75PH-1560	E4S75MS-1560	E4S75SS-1560	E4S75WM-1560	E4S75WO-1560	26.75"	60" Wide Upright	
E4S75ER-1572	E4S75PH-1572	E4S75MS-1572	E4S75SS-1572	E4S75WM-1572	E4S75WO-1572	32.75"	72" Wide Upright	
E4S75ER-1584	E4S75PH-1584	E4S75MS-1584	E4S75SS-1584	E4S75WM-1584	E4S75WO-1584	38.75"	84" Wide Upright	
E4S75ER-1596	E4S75PH-1596	E4S75MS-1596	E4S75SS-1596	E4S75WM-1596	E4S75WO-1596	44.75"	96" Wide Upright	
<b>16" Deep</b>								
E4S75ER-1642	E4S75PH-1642	E4S75MS-1642	E4S75SS-1642	E4S75WM-1642	E4S75WO-1642	37.75"	42" Wide Upright	
E4S75ER-1648	E4S75PH-1648	E4S75MS-1648	E4S75SS-1648	E4S75WM-1648	E4S75WO-1648	43.75"	48" Wide Upright	
E4S75ER-1660	E4S75PH-1660	E4S75MS-1660	E4S75SS-1660	E4S75WM-1660	E3S75WO-1660	26.75"	60" Wide Upright	
E4S75ER-1672	E4S75PH-1672	E4S75MS-1672	E4S75SS-1672	E4S75WM-1672	E4S75WO-1672	32.75"	72" Wide Upright	
E4S75ER-1684	E4S75PH-1684	E4S75MS-1684	E4S75SS-1684	E4S75WM-1684	E4S75WO-1684	38.75"	84" Wide Upright	
E4S75ER-1696	E4S75PH-1696	E4S75MS-1696	E4S75SS-1696	E4S75WM-1696	E4S75WO-1696	44.75"	96" Wide Upright	
<b>18" Deep</b>								
E4S75ER-1842	E4S75PH-1842	E4S75MS-1842	E4S75SS-1842	E4S75WM-1842	E4S75WO-1842	37.75"	42" Wide Upright	
E4S75ER-1848	E4S75PH-1848	E4S75MS-1848	E4S75SS-1848	E4S75WM-1848	E4S75WO-1848	43.75"	48" Wide Upright	
E4S75ER-1860	E4S75PH-1860	E4S75MS-1860	E4S75SS-1860	E4S75WM-1860	E4S75WO-1860	26.75"	60" Wide Upright	
E4S75ER-1872	E4S75PH-1872	E4S75MS-1872	E4S75SS-1872	E4S75WM-1872	E4S75WO-1872	32.75"	72" Wide Upright	
E4S75ER-1884	E4S75PH-1884	E4S75MS-1884	E4S75SS-1884	E4S75WM-1884	E4S75WO-1884	38.75"	84" Wide Upright	
E4S75ER-1896	E4S75PH-1896	E4S75MS-1896	E4S75SS-1896	E4S75WM-1896	E4S75WO-1896	44.75"	96" Wide Upright	

## Envision 4.0 - 1" Thick Shelving - No Rear Rod Cutout

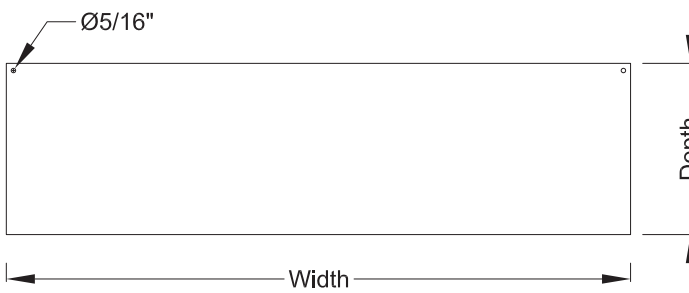


- These shelves to be used with Envision 4.0 brackets
- Each part number includes (1) shelf. If purchasing shelves for 60" uprights or wider you must order (2) shelves

Epoxy	Cat. No.		Painted Steel	Stainless Steel	Wood - Maple	Wood - Oak	Actual Width	For Use With:
	Phenolic							
<b>9.5" Deep</b>								
E4S1ER-9542	E4S1PH-9542	E4S1MS-9542	E4S1MS-9542	E4S1SS-9542	E4S1WM-9542	E4S1WO-9542	37.75"	42" Wide Upright
E4S1ER-9548	E4S1PH-9548	E4S1MS-9548	E4S1MS-9548	E4S1SS-9548	E4S1WM-9548	E4S1WO-9548	43.75"	48" Wide Upright
E4S1ER-9560	E4S1PH-9560	E4S1MS-9560	E4S1MS-9560	E4S1SS-9560	E4S1WM-9560	E4S1WO-9560	26.75"	60" Wide Upright
E4S1ER-9572	E4S1PH-9572	E4S1MS-9572	E4S1MS-9572	E4S1SS-9572	E4S1WM-9572	E4S1WO-9572	32.75"	72" Wide Upright
E4S1ER-9584	E4S1PH-9584	E4S1MS-9584	E4S1MS-9584	E4S1SS-9584	E4S1WM-9584	E4S1WO-9584	38.75"	84" Wide Upright
E4S1ER-9596	E4S1PH-9596	E4S1MS-9596	E4S1MS-9596	E4S1SS-9596	E4S1WM-9596	E4S1WO-9596	44.75"	96" Wide Upright
<b>12" Deep</b>								
E4S1ER-1242	E4S1PH-1242	E4S1MS-1242	E4S1MS-1242	E4S1SS-1242	E4S1WM-1242	E4S1WO-1242	37.75"	42" Wide Upright
E4S1ER-1248	E4S1PH-1248	E4S1MS-1248	E4S1MS-1248	E4S1SS-1248	E4S1WM-1248	E4S1WO-1248	43.75"	48" Wide Upright
E4S1ER-1260	E4S1PH-1260	E4S1MS-1260	E4S1MS-1260	E4S1SS-1260	E4S1WM-1260	E4S1WO-1260	26.75"	60" Wide Upright
E4S1ER-1272	E4S1PH-1272	E4S1MS-1272	E4S1MS-1272	E4S1SS-1272	E4S1WM-1272	E4S1WO-1272	32.75"	72" Wide Upright
E4S1ER-1284	E4S1PH-1284	E4S1MS-1284	E4S1MS-1284	E4S1SS-1284	E4S1WM-1284	E4S1WO-1284	38.75"	84" Wide Upright
E4S1ER-1296	E4S1PH-1296	E4S1MS-1296	E4S1MS-1296	E4S1SS-1296	E4S1WM-1296	E4S1WO-1296	44.75"	96" Wide Upright
<b>13" Deep</b>								
E4S1ER-1342	E4S1PH-1342	E4S1MS-1342	E4S1MS-1342	E4S1SS-1342	E4S1WM-1342	E4S1WO-1342	37.75"	42" Wide Upright
E4S1ER-1348	E4S1PH-1348	E4S1MS-1348	E4S1MS-1348	E4S1SS-1348	E4S1WM-1348	E4S1WO-1348	43.75"	48" Wide Upright
E4S1ER-1360	E4S1PH-1360	E4S1MS-1360	E4S1MS-1360	E4S1SS-1360	E4S1WM-1360	E4S1WO-1360	26.75"	60" Wide Upright
E4S1ER-1372	E4S1PH-1372	E4S1MS-1372	E4S1MS-1372	E4S1SS-1372	E4S1WM-1372	E4S1WO-1372	32.75"	72" Wide Upright
E4S1ER-1384	E4S1PH-1384	E4S1MS-1384	E4S1MS-1384	E4S1SS-1384	E4S1WM-1384	E4S1WO-1384	38.75"	84" Wide Upright
E4S1ER-1396	E4S1PH-1396	E4S1MS-1396	E4S1MS-1396	E4S1SS-1396	E4S1WM-1396	E4S1WO-1396	44.75"	96" Wide Upright
<b>15" Deep</b>								
E4S1ER-1542	E4S1PH-1542	E4S1MS-1542	E4S1MS-1542	E4S1SS-1542	E4S1WM-1542	E4S1WO-1542	37.75"	42" Wide Upright
E4S1ER-1548	E4S1PH-1548	E4S1MS-1548	E4S1MS-1548	E4S1SS-1548	E4S1WM-1548	E4S1WO-1548	43.75"	48" Wide Upright
E4S1ER-1560	E4S1PH-1560	E4S1MS-1560	E4S1MS-1560	E4S1SS-1560	E4S1WM-1560	E4S1WO-1560	26.75"	60" Wide Upright
E4S1ER-1572	E4S1PH-1572	E4S1MS-1572	E4S1MS-1572	E4S1SS-1572	E4S1WM-1572	E4S1WO-1572	32.75"	72" Wide Upright
E4S1ER-1584	E4S1PH-1584	E4S1MS-1584	E4S1MS-1584	E4S1SS-1584	E4S1WM-1584	E4S1WO-1584	38.75"	84" Wide Upright
E4S1ER-1596	E4S1PH-1596	E4S1MS-1596	E4S1MS-1596	E4S1SS-1596	E4S1WM-1596	E4S1WO-1596	44.75"	96" Wide Upright
<b>16" Deep</b>								
E4S1ER-1642	E4S1PH-1642	E4S1MS-1642	E4S1MS-1642	E4S1SS-1642	E4S1WM-1642	E4S1WO-1642	37.75"	42" Wide Upright
E4S1ER-1648	E4S1PH-1648	E4S1MS-1648	E4S1MS-1648	E4S1SS-1648	E4S1WM-1648	E4S1WO-1648	43.75"	48" Wide Upright
E4S1ER-1660	E4S1PH-1660	E4S1MS-1660	E4S1MS-1660	E4S1SS-1660	E4S1WM-1660	E4S1WO-1660	26.75"	60" Wide Upright
E4S1ER-1672	E4S1PH-1672	E4S1MS-1672	E4S1MS-1672	E4S1SS-1672	E4S1WM-1672	E4S1WO-1672	32.75"	72" Wide Upright
E4S1ER-1684	E4S1PH-1684	E4S1MS-1684	E4S1MS-1684	E4S1SS-1684	E4S1WM-1684	E4S1WO-1684	38.75"	84" Wide Upright
E4S1ER-1696	E4S1PH-1696	E4S1MS-1696	E4S1MS-1696	E4S1SS-1696	E4S1WM-1696	E4S1WO-1696	44.75"	96" Wide Upright
<b>18" Deep</b>								
E4S1ER-1842	E4S1PH-1842	E4S1MS-1842	E4S1MS-1842	E4S1SS-1842	E4S1WM-1842	E4S1WO-1842	37.75"	42" Wide Upright
E4S1ER-1848	E4S1PH-1848	E4S1MS-1848	E4S1MS-1848	E4S1SS-1848	E4S1WM-1848	E4S1WO-1848	43.75"	48" Wide Upright
E4S1ER-1860	E4S1PH-1860	E4S1MS-1860	E4S1MS-1860	E4S1SS-1860	E4S1WM-1860	E4S1WO-1860	26.75"	60" Wide Upright
E4S1ER-1872	E4S1PH-1872	E4S1MS-1872	E4S1MS-1872	E4S1SS-1872	E4S1WM-1872	E4S1WO-1872	32.75"	72" Wide Upright
E4S1ER-1884	E4S1PH-1884	E4S1MS-1884	E4S1MS-1884	E4S1SS-1884	E4S1WM-1884	E4S1WO-1884	38.75"	84" Wide Upright
E4S1ER-1896	E4S1PH-1896	E4S1MS-1896	E4S1MS-1896	E4S1SS-1896	E4S1WM-1896	E4S1WO-1896	44.75"	96" Wide Upright

# Envision 4.0

## Envision 4.0 - .75" Thick Shelving with Cutouts for Rear Rod

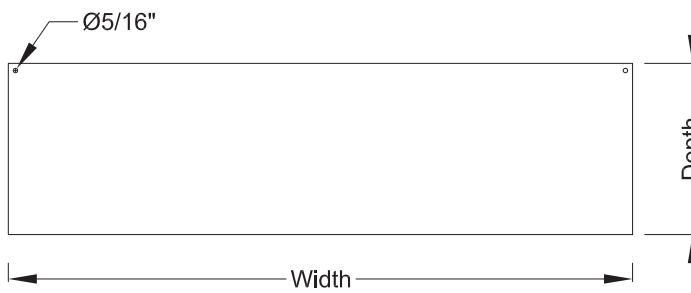


- These shelves to be used with Envision 4.0 brackets
- Each part number includes (1) shelf. If purchasing shelves for 60" uprights or wider you must order (2) shelves
- These shelves include cutouts for rear rod

Epoxy	Cat. No.		Painted Steel	Stainless Steel	Wood - Maple	Wood - Oak	Actual Width	For Use With:
	Phenolic							
<b>9.5" Deep</b>								
E4S75ERR-9542	E4S75PHR-9542	E4S75MSR-9542	E4S75SSR-9542	E4S75WMR-9542	E4S75WOR-9542	37.75"	42" Wide Upright	
E4S75ERR-9548	E4S75PHR-9548	E4S75MSR-9548	E4S75SSR-9548	E4S75WMR-9548	E4S75WOR-9548	43.75"	48" Wide Upright	
E4S75ERR-9560	E4S75PHR-9560	E4S75MSR-9560	E4S75SSR-9560	E4S75WMR-9560	E4S75WOR-9560	26.75"	60" Wide Upright	
E4S75ERR-9572	E4S75PHR-9572	E4S75MSR-9572	E4S75SSR-9572	E4S75WMR-9572	E4S75WOR-9572	32.75"	72" Wide Upright	
E4S75ERR-9584	E4S75PHR-9584	E4S75MSR-9584	E4S75SSR-9584	E4S75WMR-9584	E4S75WOR-9584	38.75"	84" Wide Upright	
E4S75ERR-9596	E4S75PHR-9596	E4S75MSR-9596	E4S75SSR-9596	E4S75WMR-9596	E4S75WOR-9596	44.75"	96" Wide Upright	
<b>12" Deep</b>								
E4S75ERR-1242	E4S75PHR-1242	E4S75MSR-1242	E4S75SSR-1242	E4S75WMR-1242	E4S75WOR-1242	37.75"	42" Wide Upright	
E4S75ERR-1248	E4S75PHR-1248	E4S75MSR-1248	E4S75SSR-1248	E4S75WMR-1248	E4S75WOR-1248	43.75"	48" Wide Upright	
E4S75ERR-1260	E4S75PHR-1260	E4S75MSR-1260	E4S75SSR-1260	E4S75WMR-1260	E4S75WOR-1260	26.75"	60" Wide Upright	
E4S75ERR-1272	E4S75PHR-1272	E4S75MSR-1272	E4S75SSR-1272	E4S75WMR-1272	E4S75WOR-1272	32.75"	72" Wide Upright	
E4S75ERR-1284	E4S75PHR-1284	E4S75MSR-1284	E4S75SSR-1284	E4S75WMR-1284	E4S75WOR-1284	38.75"	84" Wide Upright	
E4S75ERR-1296	E4S75PHR-1296	E4S75MSR-1296	E4S75SSR-1296	E4S75WMR-1296	E4S75WOR-1296	44.75"	96" Wide Upright	
<b>13" Deep</b>								
E4S75ERR-1342	E4S75PHR-1342	E4S75MSR-1342	E4S75SSR-1342	E4S75WMR-1342	E4S75WOR-1342	37.75"	42" Wide Upright	
E4S75ERR-1348	E4S75PHR-1348	E4S75MSR-1348	E4S75SSR-1348	E4S75WMR-1348	E4S75WOR-1348	43.75"	48" Wide Upright	
E4S75ERR-1360	E4S75PHR-1360	E4S75MSR-1360	E4S75SSR-1360	E4S75WMR-1360	E4S75WOR-1360	26.75"	60" Wide Upright	
E4S75ERR-1372	E4S75PHR-1372	E4S75MSR-1372	E4S75SSR-1372	E4S75WMR-1372	E4S75WOR-1372	32.75"	72" Wide Upright	
E4S75ERR-1384	E4S75PHR-1384	E4S75MSR-1384	E4S75SSR-1384	E4S75WMR-1384	E4S75WOR-1384	38.75"	84" Wide Upright	
E4S75ERR-1396	E4S75PHR-1396	E4S75MSR-1396	E4S75SSR-1396	E4S75WMR-1396	E4S75WOR-1396	44.75"	96" Wide Upright	
<b>15" Deep</b>								
E4S75ERR-1542	E4S75PHR-1542	E4S75MSR-1542	E4S75SSR-1542	E4S75WMR-1542	E4S75WOR-1542	37.75"	42" Wide Upright	
E4S75ERR-1548	E4S75PHR-1548	E4S75MSR-1548	E4S75SSR-1548	E4S75WMR-1548	E4S75WOR-1548	43.75"	48" Wide Upright	
E4S75ERR-1560	E4S75PHR-1560	E4S75MSR-1560	E4S75SSR-1560	E4S75WMR-1560	E4S75WOR-1560	26.75"	60" Wide Upright	
E4S75ERR-1572	E4S75PHR-1572	E4S75MSR-1572	E4S75SSR-1572	E4S75WMR-1572	E4S75WOR-1572	32.75"	72" Wide Upright	
E4S75ERR-1584	E4S75PHR-1584	E4S75MSR-1584	E4S75SSR-1584	E4S75WMR-1584	E4S75WOR-1584	38.75"	84" Wide Upright	
E4S75ERR-1596	E4S75PHR-1596	E4S75MSR-1596	E4S75SSR-1596	E4S75WMR-1596	E4S75WOR-1596	44.75"	96" Wide Upright	
<b>16" Deep</b>								
E4S75ERR-1642	E4S75PHR-1642	E4S75MSR-1642	E4S75SSR-1642	E4S75WMR-1642	E4S75WOR-1642	37.75"	42" Wide Upright	
E4S75ERR-1648	E4S75PHR-1648	E4S75MSR-1648	E4S75SSR-1648	E4S75WMR-1648	E4S75WOR-1648	43.75"	48" Wide Upright	
E4S75ERR-1660	E4S75PHR-1660	E4S75MSR-1660	E4S75SSR-1660	E4S75WMR-1660	E4S75WOR-1660	26.75"	60" Wide Upright	
E4S75ERR-1672	E4S75PHR-1672	E4S75MSR-1672	E4S75SSR-1672	E4S75WMR-1672	E4S75WOR-1672	32.75"	72" Wide Upright	
E4S75ERR-1684	E4S75PHR-1684	E4S75MSR-1684	E4S75SSR-1684	E4S75WMR-1684	E4S75WOR-1684	38.75"	84" Wide Upright	
E4S75ERR-1696	E4S75PHR-1696	E4S75MSR-1696	E4S75SSR-1696	E4S75WMR-1696	E4S75WOR-1696	44.75"	96" Wide Upright	
<b>18" Deep</b>								
E4S75ERR-1842	E4S75PHR-1842	E4S75MSR-1842	E4S75SSR-1842	E4S75WMR-1842	E4S75WOR-1842	37.75"	42" Wide Upright	
E4S75ERR-1848	E4S75PHR-1848	E4S75MSR-1848	E4S75SSR-1848	E4S75WMR-1848	E4S75WOR-1848	43.75"	48" Wide Upright	
E4S75ERR-1860	E4S75PHR-1860	E4S75MSR-1860	E4S75SSR-1860	E4S75WMR-1860	E4S75WOR-1860	26.75"	60" Wide Upright	
E4S75ERR-1872	E4S75PHR-1872	E4S75MSR-1872	E4S75SSR-1872	E4S75WMR-1872	E4S75WOR-1872	32.75"	72" Wide Upright	
E4S75ERR-1884	E4S75PHR-1884	E4S75MSR-1884	E4S75SSR-1884	E4S75WMR-1884	E4S75WOR-1884	38.75"	84" Wide Upright	
E4S75ERR-1896	E4S75PHR-1896	E4S75MSR-1896	E4S75SSR-1896	E4S75WMR-1896	E4S75WOR-1896	44.75"	96" Wide Upright	



**Envision 4.0 - 1" Thick Shelving with Cutouts for Rear Rod**

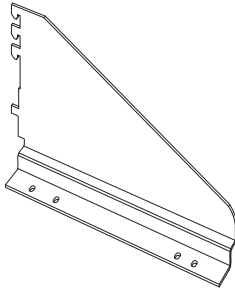


- These shelves to be used with Envision 4.0 brackets
- Each part number includes (1) shelf. If purchasing shelves for 60" uprights or wider you must order (2) shelves
- These shelves include cutouts for rear rod

Epoxy	Cat. No.		Painted Steel	Stainless Steel	Wood - Maple	Wood - Oak	Actual Width	For Use With:
	Phenolic							
<b>9.5" Deep</b>								
E4S1ERR-9542	E4S1PHR-9542	E4S1MSR-9542	E4S1SSR-9542	E4S1WMR-9542	E4S1WOR-9542	37.75"	42" Wide Upright	
E4S1ERR-9548	E4S1PHR-9548	E4S1MSR-9548	E4S1SSR-9548	E4S1WMR-9548	E4S1WOR-9548	43.75"	48" Wide Upright	
E4S1ERR-9560	E4S1PHR-9560	E4S1MSR-9560	E4S1SSR-9560	E4S1WMR-9560	E4S1WOR-9560	26.75"	60" Wide Upright	
E4S1ERR-9572	E4S1PHR-9572	E4S1MSR-9572	E4S1SSR-9572	E4S1WMR-9572	E4S1WOR-9572	32.75"	72" Wide Upright	
E4S1ERR-9584	E4S1PHR-9584	E4S1MSR-9584	E4S1SSR-9584	E4S1WMR-9584	E4S1WOR-9584	38.75"	84" Wide Upright	
E4S1ERR-9596	E4S1PHR-9596	E4S1MSR-9596	E4S1SSR-9596	E4S1WMR-9596	E4S1WOR-9596	44.75"	96" Wide Upright	
<b>12" Deep</b>								
E4S1ERR-1242	E4S1PHR-1242	E4S1MSR-1242	E4S1SSR-1242	E4S1WMR-1242	E4S1WOR-1242	37.75"	42" Wide Upright	
E4S1ERR-1248	E4S1PHR-1248	E4S1MSR-1248	E4S1SSR-1248	E4S1WMR-1248	E4S1WOR-1248	43.75"	48" Wide Upright	
E4S1ERR-1260	E4S1PHR-1260	E4S1MSR-1260	E4S1SSR-1260	E4S1WMR-1260	E4S1WOR-1260	26.75"	60" Wide Upright	
E4S1ERR-1272	E4S1PHR-1272	E4S1MSR-1272	E4S1SSR-1272	E4S1WMR-1272	E4S1WOR-1272	32.75"	72" Wide Upright	
E4S1ERR-1284	E4S1PHR-1284	E4S1MSR-1284	E4S1SSR-1284	E4S1WMR-1284	E4S1WOR-1284	38.75"	84" Wide Upright	
E4S1ERR-1296	E4S1PHR-1296	E4S1MSR-1296	E4S1SSR-1296	E4S1WMR-1296	E4S1WOR-1296	44.75"	96" Wide Upright	
<b>13" Deep</b>								
E4S1ERR-1342	E4S1PHR-1342	E4S1MSR-1342	E4S1SSR-1342	E4S1WMR-1342	E4S1WOR-1342	37.75"	42" Wide Upright	
E4S1ERR-1348	E4S1PHR-1348	E4S1MSR-1348	E4S1SSR-1348	E4S1WMR-1348	E4S1WOR-1348	43.75"	48" Wide Upright	
E4S1ERR-1360	E4S1PHR-1360	E4S1MSR-1360	E4S1SSR-1360	E4S1WMR-1360	E4S1WOR-1360	26.75"	60" Wide Upright	
E4S1ERR-1372	E4S1PHR-1372	E4S1MSR-1372	E4S1SSR-1372	E4S1WMR-1372	E4S1WOR-1372	32.75"	72" Wide Upright	
E4S1ERR-1384	E4S1PHR-1384	E4S1MSR-1384	E4S1SSR-1384	E4S1WMR-1384	E4S1WOR-1384	38.75"	84" Wide Upright	
E4S1ERR-1396	E4S1PHR-1396	E4S1MSR-1396	E4S1SSR-1396	E4S1WMR-1396	E4S1WOR-1396	44.75"	96" Wide Upright	
<b>15" Deep</b>								
E4S1ERR-1542	E4S1PHR-1542	E4S1MSR-1542	E4S1SSR-1542	E4S1WMR-1542	E4S1WOR-1542	37.75"	42" Wide Upright	
E4S1ERR-1548	E4S1PHR-1548	E4S1MSR-1548	E4S1SSR-1548	E4S1WMR-1548	E4S1WOR-1548	43.75"	48" Wide Upright	
E4S1ERR-1560	E4S1PHR-1560	E4S1MSR-1560	E4S1SSR-1560	E4S1WMR-1560	E4S1WOR-1560	26.75"	60" Wide Upright	
E4S1ERR-1572	E4S1PHR-1572	E4S1MSR-1572	E4S1SSR-1572	E4S1WMR-1572	E4S1WOR-1572	32.75"	72" Wide Upright	
E4S1ERR-1584	E4S1PHR-1584	E4S1MSR-1584	E4S1SSR-1584	E4S1WMR-1584	E4S1WOR-1584	38.75"	84" Wide Upright	
E4S1ERR-1596	E4S1PHR-1596	E4S1MSR-1596	E4S1SSR-1596	E4S1WMR-1596	E4S1WOR-1596	44.75"	96" Wide Upright	
<b>16" Deep</b>								
E4S1ERR-1642	E4S1PHR-1642	E4S1MSR-1642	E4S1SSR-1642	E4S1WMR-1642	E4S1WOR-1642	37.75"	42" Wide Upright	
E4S1ERR-1648	E4S1PHR-1648	E4S1MSR-1648	E4S1SSR-1648	E4S1WMR-1648	E4S1WOR-1648	43.75"	48" Wide Upright	
E4S1ERR-1660	E4S1PHR-1660	E4S1MSR-1660	E4S1SSR-1660	E4S1WMR-1660	E4S1WOR-1660	26.75"	60" Wide Upright	
E4S1ERR-1672	E4S1PHR-1672	E4S1MSR-1672	E4S1SSR-1672	E4S1WMR-1672	E4S1WOR-1672	32.75"	72" Wide Upright	
E4S1ERR-1684	E4S1PHR-1684	E4S1MSR-1684	E4S1SSR-1684	E4S1WMR-1684	E4S1WOR-1684	38.75"	84" Wide Upright	
E4S1ERR-1696	E4S1PHR-1696	E4S1MSR-1696	E4S1SSR-1696	E4S1WMR-1696	E4S1WOR-1696	44.75"	96" Wide Upright	
<b>18" Deep</b>								
E4S1ERR-1842	E4S1PHR-1842	E4S1MSR-1842	E4S1SSR-1842	E4S1WMR-1842	E4S1WOR-1842	37.75"	42" Wide Upright	
E4S1ERR-1848	E4S1PHR-1848	E4S1MSR-1848	E4S1SSR-1848	E4S1WMR-1848	E4S1WOR-1848	43.75"	48" Wide Upright	
E4S1ERR-1860	E4S1PHR-1860	E4S1MSR-1860	E4S1SSR-1860	E4S1WMR-1860	E4S1WOR-1860	26.75"	60" Wide Upright	
E4S1ERR-1872	E4S1PHR-1872	E4S1MSR-1872	E4S1SSR-1872	E4S1WMR-1872	E4S1WOR-1872	32.75"	72" Wide Upright	
E4S1ERR-1884	E4S1PHR-1884	E4S1MSR-1884	E4S1SSR-1884	E4S1WMR-1884	E4S1WOR-1884	38.75"	84" Wide Upright	
E4S1ERR-1896	E4S1PHR-1896	E4S1MSR-1896	E4S1SSR-1896	E4S1WMR-1896	E4S1WOR-1896	44.75"	96" Wide Upright	

# Envision 4.0

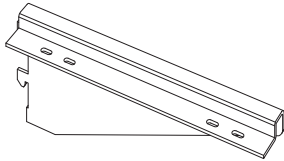
## Envision 4.0 - Bookend Brackets



- These brackets to be used with Envision 4.0 uprights
- Sold in pairs

Cat. No.		Depth
Painted Steel	Stainless Steel	
<b>.75" Thick Shelf</b>		
E4SBB75-9	E4SBB75-9S	9"
E4SBB75-12	E4SBB75-12S	12"
E4SBB75-15	E4SBB75-15S	15"
<b>1" Thick Shelf</b>		
E4SBB1-9	E4SBB1-9S	9"
E4SBB1-12	E4SBB1-12S	12"
E4SBB1-15	E4SBB1-15S	15"

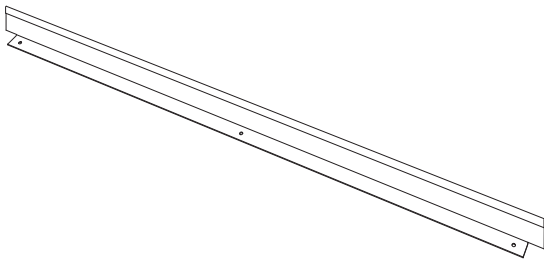
## Envision 4.0 - Inverted Brackets



- These brackets to be used with Envision 4.0 uprights
- Sold in pairs

Cat. No.		Depth
Painted Steel	Stainless Steel	
<b>.75" Thick Shelf</b>		
E4SBI75-9	E4SBI75-9S	9"
E4SBI75-12	E4SBI75-12S	12"
E4SBI75-15	E4SBI75-15S	15"
<b>1" Thick Shelf</b>		
E4SBI1-9	E4SBI1-9S	9"
E4SBI1-12	E4SBI1-12S	12"
E4SBI1-15	E4SBI1-15S	15"

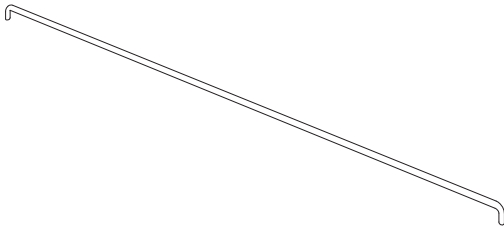
## Envision 4.0 - Shelf Lip



- These shelf lips to be used with Envision 4.0 shelves

Cat. No.		Width
Painted Steel	Stainless Steel	
<b>Shelf Lip Front Mount</b>		
E4SLF-42	E4SLF-42S	37.75"
E4SLF-48	E4SLF-48S	43.75"
E4SLF-60	E4SLF-60S	26.75"
E4SLF-72	E4SLF-72S	32.75"
E4SLF-84	E4SLF-84S	38.75"
E4SLF-96	E4SLF-96S	44.75"
<b>Shelf Lip Rear Mount</b>		
E4SLR-42	E4SLR-42S	37.75"
E4SLR-48	E4SLR-48S	43.75"
E4SLR-60	E4SLR-60S	26.75"
E4SLR-72	E4SLR-72S	32.75"
E4SLR-84	E4SLR-84S	38.75"
E4SLR-96	E4SLR-96S	44.75"

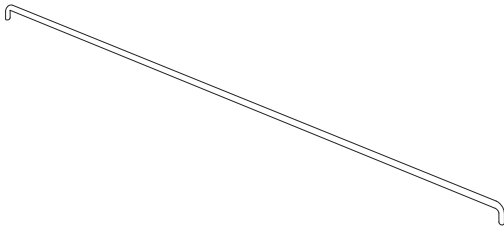
## Envision 4.0 - Front Shelf Rod



- These shelf rods to be used with Envision 4.0 shelves
- Each part number includes (1) front shelf rod. If purchasing shelf rods for 60" uprights or wider you must order (2) front shelf rods

Cat. No.		Width
Aluminum	Stainless Steel	
E4SRF-42	E4SRF-42S	38.875"
E4SRF-48	E4SRF-48S	44.875"
E4SRF-60	E4SRF-60S	27.875"
E4SRF-72	E4SRF-72S	33.875"
E4SRF-84	E4SRF-84S	39.875"
E4SRF-96	E4SRF-96S	45.875"

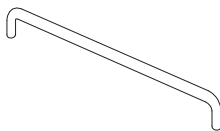
## Envision 4.0 - Rear Shelf Rod



- These shelf rods to be used with Envision 4.0 shelves
- Each part number includes (1) rear shelf rod. If purchasing shelf rods for 60" uprights or wider you must order (2) rear shelf rods

Cat. No.		Width
Aluminum	Stainless Steel	
E4SRR-42	E4SRR-42S	36.75"
E4SRR-48	E4SRR-48S	42.75"
E4SRR-60	E4SRR-60S	25.75"
E4SRR-72	E4SRR-72S	31.75"
E4SRR-84	E4SRR-84S	37.75"
E4SRR-96	E4SRR-96S	43.75"

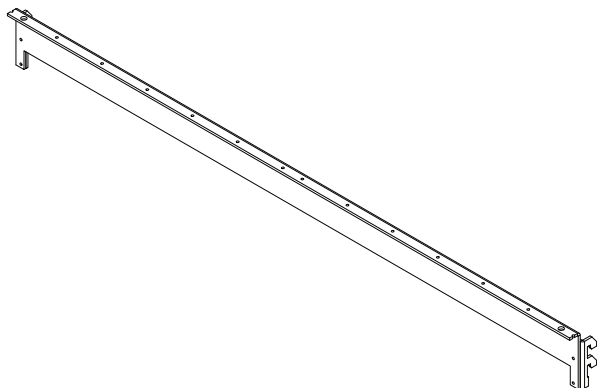
## Envision 4.0 - Side Shelf Rod



- These shelf rods to be used with Envision 4.0 shelves

Cat. No.		Depth
Aluminum	Stainless Steel	
E4SRS-9	E4SRS-9S	7"
E4SRS-12	E4SRS-12S	10"
E4SRS-15	E4SRS-15S	13"

## Envision 4.0 - Wall Cabinet Hanger Bars

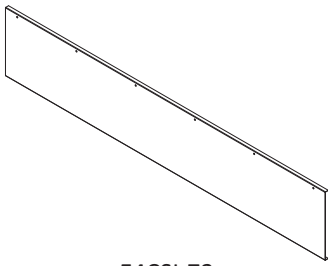


- These wall cabinet hangers to be used with Envision 4.0 uprights
- Each part number includes a pair of hanger bar. If purchasing hanger bars for 60" uprights or wider you must order (2) pairs of hanger bars

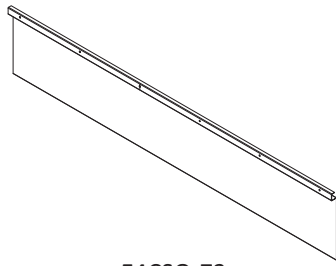
Cat. No.		Actual Width	For use with:
Painted Steel	Stainless Steel		
E4PWCH-42	E4PWCH-42S	42"	42" wide uprights
E4PWCH-48	E4PWCH-48S	48"	48" wide uprights
E4PWCH-60	E4PWCH-60S	30"	60" wide uprights
E4PWCH-72	E4PWCH-72S	36"	72" wide uprights
E4PWCH-84	E4PWCH-84S	42"	84" wide uprights
E4PWCH-96	E4PWCH-96S	48"	96" wide uprights

# Envision 4.0

## Envision 4.0 - Cabinet Stop



E4CSI-72

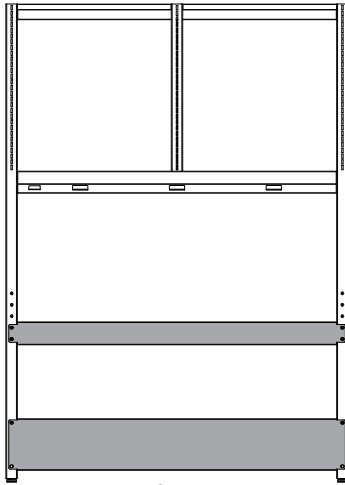


E4CSO-72

- These Cabinet Stops are to be used with Envision 4.0
- They are to prevent mobile cabinet from rolling to far under the work surface

Cat. No.		Actual Width	Width
For Inset Cabinet	For Overlay Cabinet		
E4CSI-42	E4CSO-42		42"
E4CSI-48	E4CSO-48	40.75"	48"
E4CSI-60	E4CSO-60	52.75"	60"
E4CSI-72	E4CSO-72	64.75"	72"
E4CSI-84	E4CSO-84		84"
E4CSI-96	E4CSO-96		96"

## Envision 4.0 - Stabilizer Bar



Elevation of Stabilizer Bars

- These Stabilizer Bars are to be used with Envision 4.0

Cat. No.		Width
Lower Brace	Upper Brace	
E4SBRL-42	E4SBRU-42	42"
E4SBRL-48	E4SBRU-48	48"
E4SBRL-60	E4SBRU-60	60"
E4SBRL-72	E4SBRU-72	72"
E4SBRL-84	E4SBRU-84	84"
E4SBRL-96	E4SBRU-96	96"

## Envision 4.0 - Table Support Clamps



- These are to be used with Envision 4.0
- Kit of 2 with hardware
- Use for all tables on backside of 6" uprights

Cat. No.	Type
E4TSC	Table Support Clamps

## Envision 4.0 - 3" Mounting Kits

- These are to be used with Envision 4.0
- Fasteners for connecting back to back 3" uprights

Cat. No.	Type
E4MKU3	Upright Connectors

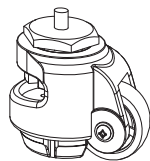
## LED Task Lighting for Envision 4.0



- Touch and hold continuous dimming and 10 hour automatic turnoff
- Units with (1) light include: (1) LED task light, magnetic angle mount that allows for up to 25° adjustment, 60 watt power supply with magnetic mount and 6' white cord
- Units with (2) lights include: (2) LED task light, magnetic angle mount that allows for up to 25° adjustment, 60 watt power supply with magnetic mount, 6' white cord, and 1 interlink cord to connect lights
- 60 watt power supply with magnetic mount and 6' white cord
- Made with anodized aluminum
- Lasts up to 50,000 hours

Cat. No.	Quantity of Lights	Actual Width	For use with:
<b>Single Sided</b>			
TL17-LED	1	17"	42" wide Table
TL17-LED	1	17"	48" wide Table
TL34-LED	2	17"	60" wide Table
TL34-LED	2	17"	72" wide Table
TL34-LED	2	17"	84" with Table
TL34-LED	2	17"	96" wide Table
<b>Double Sided</b>			
TL17-LEDDBL	2	17"	42" wide Table
TL17-LEDDBL	2	17"	48" wide Table
TL34-LEDDBL	4	17"	60" wide Table
TL34-LEDDBL	4	17"	72" wide Table
TL34-LEDDBL	4	17"	84" with Table
TL34-LEDDBL	4	17"	96" wide Table

## Add Leveling Casters to Envision Uprights



- (4) Leveling Caster has a disc style leveling function
- Weight capacity up to 1,000 lbs
- Can only be used with 3" uprights, Envision 3.0 or 4.0
- Casters add 3" to overall height of uprights
- Both Stabilizer Bars are recommended if using casters

Cat. No.	Type
E3HD-KIT	Add for Leveling Caster

# Envision 4.0 Electrical

## Envision 4.0 Electrical for 3" upright

**Sample:** E4W3A  $\frac{\quad}{1} \frac{\quad}{2} \frac{\quad}{3}$  - (width of upright)

**Space 1 Options:**

G = Grey  
I = Ivory  
W = White

**Space 2 Options:**

4 = 4' cord above upright  
6 = 6' cord above upright

**Space 3 Options:**

(Blank) = Standard outlet  
G - GFI outlet

Cat. No.	Description	Width Options
E4W3A ___ - ___	1 circuit, 1 plug, 3 electrical outlets	42", 48"
E4W3B ___ - ___	2 circuit, 1 plug, 3 electrical outlets	42", 48"
E4W3C ___ - ___	2 circuit, 2 plug, 3 electrical outlets	42", 48"
E4W3D ___ - ___	1 circuit, 1 plug, 4 electrical outlets	60", 72", 84", 96"
E4W3E ___ - ___	2 circuit, 1 plug, 4 electrical outlets	60", 72", 84", 96"
E4W3F ___ - ___	2 circuit, 2 plug, 4 electrical outlets	60", 72", 84", 96"
E4W3G ___ - ___	4 circuit, 2 plug, 4 electrical outlets	60", 72", 84", 96"

**Example:** E4W3AG4G-48

Envision 4.0 Wiring for 3" upright, Grey, 1 circuit, 1 plug, 3 GFI outlets, for 48" wide upright

**Note:** All electrical components are UL Labeled and pre-wiring is UL Listed

## Envision 4.0 Electrical for 6" upright

**Sample:** E4W6A  $\frac{\quad}{1} \frac{\quad}{2} \frac{\quad}{3}$  - (width of upright)

**Space 1 Options:**

G = Grey  
I = Ivory  
W = White

**Space 2 Options:**

4 = 4' cord above upright  
6 = 6' cord above upright

**Space 3 Options:**

(Blank) = Standard outlet  
G - GFI outlet

Cat. No.	Description	Width Options
E4W6A ___ - ___	1 circuit, 1 plug, 3 electrical outlets	42", 48"
E4W6B ___ - ___	2 circuit, 1 plug, 3 electrical outlets	42", 48"
E4W6C ___ - ___	2 circuit, 2 plug, 3 electrical outlets	42", 48"
E4W6D ___ - ___	1 circuit, 1 plug, 4 electrical outlets	60", 72", 84", 96"
E4W6E ___ - ___	2 circuit, 1 plug, 4 electrical outlets	60", 72", 84", 96"
E4W6F ___ - ___	2 circuit, 2 plug, 4 electrical outlets	60", 72", 84", 96"
E4W6G ___ - ___	4 circuit, 2 plug, 4 electrical outlets	60", 72", 84", 96"

**Example:** E4W6AG4G-48

Envision 4.0 Wiring for 6" upright, Grey, 1 circuit, 1 plug, 6 GFI outlets, for 48" wide upright

**Note:** All electrical components are UL Labeled and pre-wiring is UL Listed

**Envision 4.0 Data for 3" upright**

**Sample:** E4D31  $\frac{\quad}{1} \frac{\quad}{2}$  - (width of upright)

**Space 1 Options:**

G = Light Grey

**Space 2 Options:**

4 = 4' cord above upright

6 = 6' cord above upright

Cat. No.	Description	Width Options
E4D31 ___ - ___	Single Data Outlet	42", 48", 60", 72", 84", 96"
E4D32 ___ - ___	Double Data Outlet	42", 48", 60", 72", 84", 96"

**Example:** E4D31G4-48

Envision 4.0 Data for 3" upright, Light Grey, Single Data Outlet, for 48" wide upright

**Note:** Data is CAT-5E

**Envision 4.0 Data for 6" upright**

**Sample:** E4D61  $\frac{\quad}{1} \frac{\quad}{2}$  - (width of upright)

**Space 1 Options:**

G = Light Grey

**Space 2 Options:**

4 = 4' cord above upright

6 = 6' cord above upright

Cat. No.	Description	Width Options
E4D61 ___ - ___	Single Data Outlet	42", 48", 60", 72", 84", 96"
E4D62 ___ - ___	Double Data Outlet	42", 48", 60", 72", 84", 96"

**Example:** E4D61G4-48

Envision 4.0 Data for 6" upright, Light Grey, Single Data Outlet, for 48" wide upright

**Note:** Data is CAT-5E

# Envision 4.5

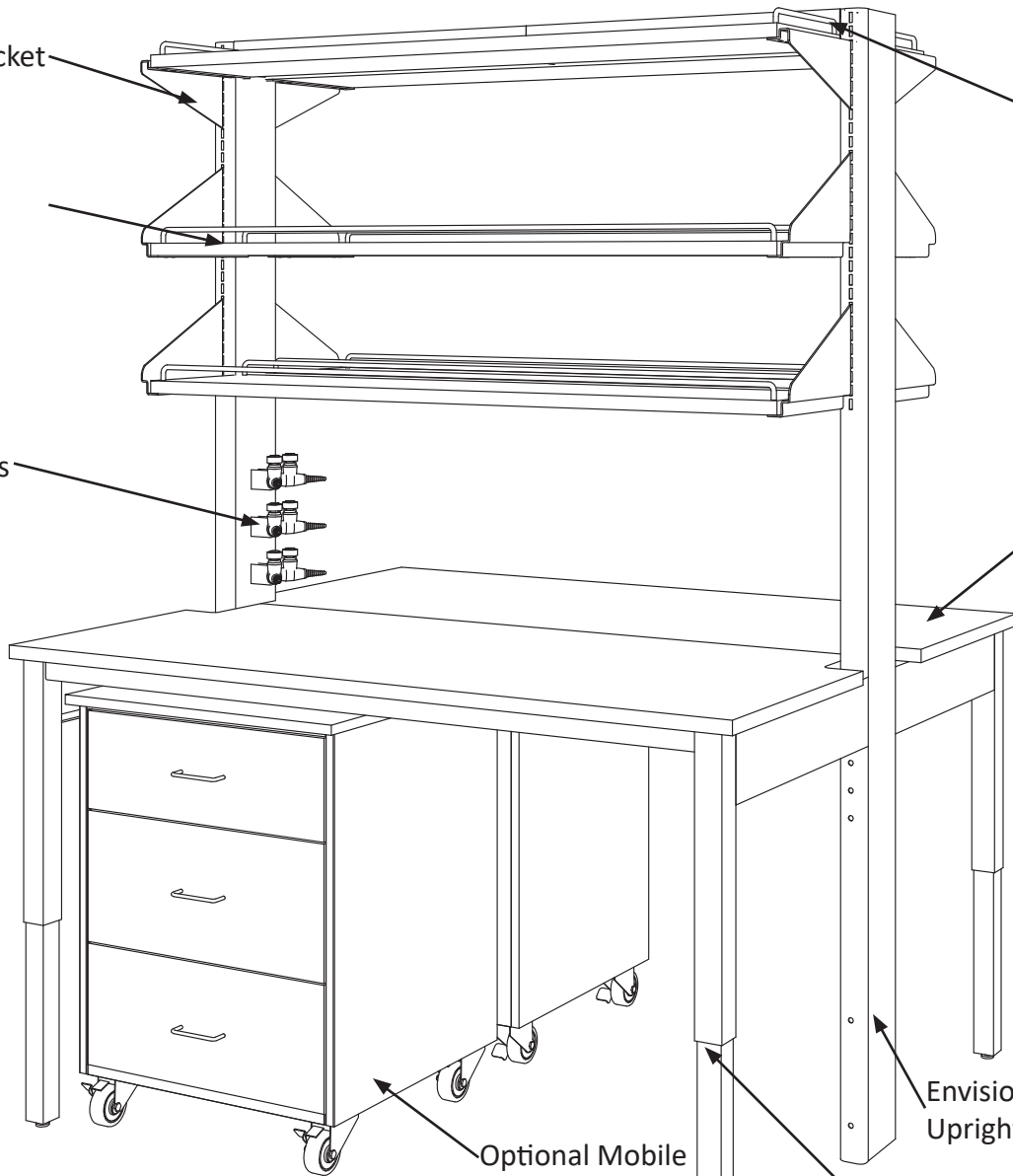
Envision 4.5  
Undermount Bracket  
and Shelves

Envision 4.5  
Bookend Bracket  
and Shelves

Envision 4.5  
Plumbing Fixtures

Envision 4.5  
Retaining Rods

Envision 4.5  
Work Surface  
in Epoxy or  
Phenolic



Optional Mobile  
or Suspended  
Cabinet

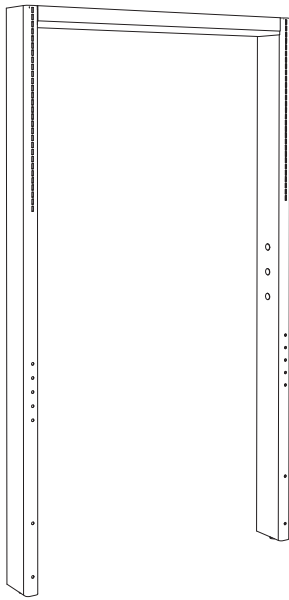
Envision 4.5  
Uprights

Envision 4.5  
Bolt-On Frame

Non-marring Nylon  
Leveling Feet



## Envision 4.5 - 6" Uprights with Plumbing Cutouts Only



E45U6B-48

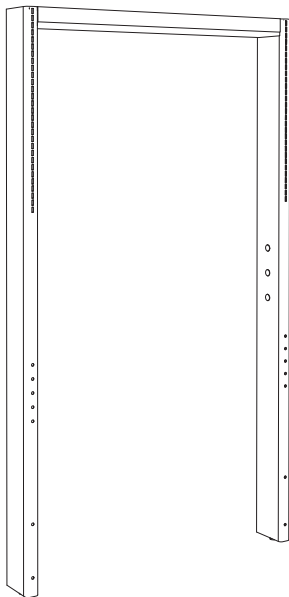
- Uprights are 6" Deep Envision 4.5, Double Sided
- Heights is 84"
- For Stainless Steel contact your ICI representative

**Includes:**

- (3) plumbing cutouts on one side

Cat. No.	Width
E45U6B-42	42"
E45U6B-48	48"
E45U6B-60	60"
E45U6B-72	72"

## Envision 4.5 - 6" Uprights with Plumbing, and Data Cutouts Only



E45U6D-48

- Uprights are 6" Deep Envision 4.5, Double Sided
- Heights is 84"
- For Stainless Steel contact your ICI representative

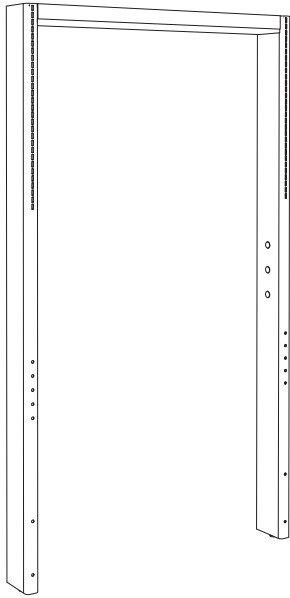
**Includes:**

- (3) plumbing cutouts on one side
- (1) data cutout opposite side of plumbing cutouts

Cat. No.	Width
E45U6D-42	42"
E45U6D-48	48"
E45U6D-60	60"
E45U6D-72	72"

# Envision 4.5

## Envision 4.5 - 6" Uprights with Plumbing, Data, and Standard Electric Cutouts Only



E45U6DE-48

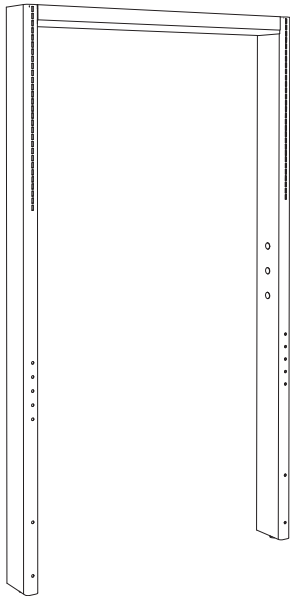
- Uprights are 6" Deep Envision 4.5, Double Sided
- Heights is 84"
- For Stainless Steel contact your ICI representative

**Includes:**

- (3) plumbing cutouts on one side
- (1) data cutout opposite side of plumbing cutouts
- (6) standard electric cutouts on upper post opposite side of plumbing cutouts
- (2) standard electric cutout on lower post opposite side of the plumbing cutouts

Cat. No.	Width
E45U6DE-42	42"
E45U6DE-48	48"
E45U6DE-60	60"
E45U6DE-72	72"

## Envision 4.5 - 6" Uprights with Plumbing, Data, and Standard & GFI Electric Cutouts Only



E45U6DEG-48

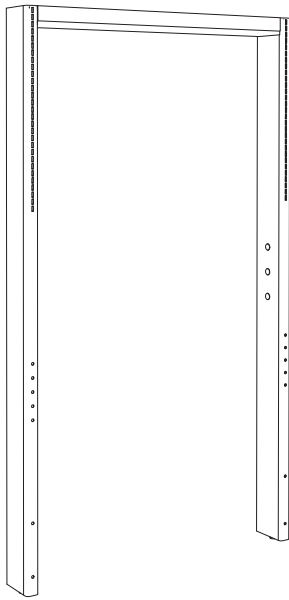
- Uprights are 6" Deep Envision 4.5, Double Sided
- Heights is 84"
- For Stainless Steel contact your ICI representative

**Includes:**

- (3) plumbing cutouts on one side
- (1) data cutout opposite side of plumbing cutouts
- (6) standard electric cutouts on upper post opposite side of plumbing cutouts
- (2) GFI electric cutout on lower post opposite side of the plumbing cutouts

Cat. No.	Width
E45U6DEG-42	42"
E45U6DEG-48	48"
E45U6DEG-60	60"
E45U6DEG-72	72"

## Envision 4.5 - 6" Uprights with Plumbing, and Standard Electric Cutouts Only



E45U6E-48

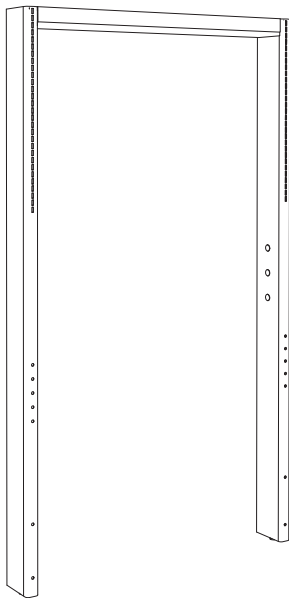
- Uprights are 6" Deep Envision 4.5, Double Sided
- Heights is 84"
- For Stainless Steel contact your ICI representative

**Includes:**

- (3) plumbing cutouts on one side
- (6) standard electric cutouts on upper post opposite side of plumbing cutouts
- (2) standard electric cutout on lower post opposite side of the plumbing cutouts

Cat. No.	Width
E45U6E-42	42"
E45U6E-48	48"
E45U6E-60	60"
E45U6E-72	72"

## Envision 4.5 - 6" Uprights with Plumbing, and Standard & GFI Electric Cutouts Only



E45U6EG-48

- Uprights are 6" Deep Envision 4.5, Double Sided
- Heights is 84"
- For Stainless Steel contact your ICI representative

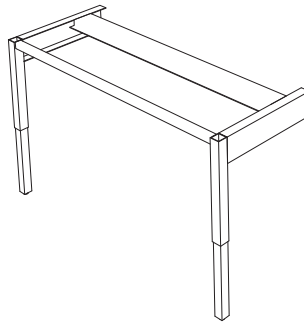
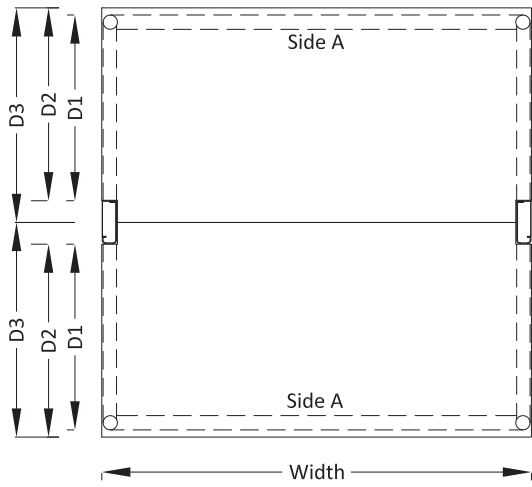
**Includes:**

- (3) plumbing cutouts on one side
- (6) standard electric cutouts on upper post opposite side of plumbing cutouts
- (2) GFI electric cutout on lower post opposite side of the plumbing cutouts

Cat. No.	Width
E45U6EG-42	42"
E45U6EG-48	48"
E45U6EG-60	60"
E45U6EG-72	72"

# Envision 4.5

## Envision 4.5 - Bolt-On Frame - 6" Uprights Double Sided

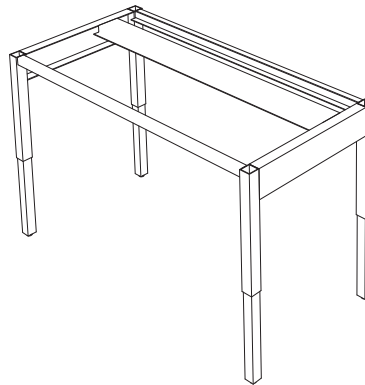
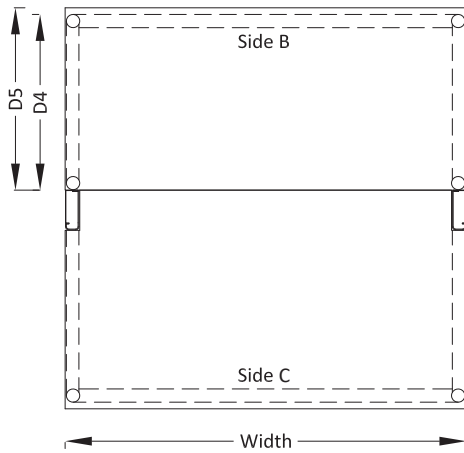


- Envision 4.5 Bolt-On Frames are to be attached to any Envision 4.5 uprights
- (2) Bolt-On Frames can be attached to 6" uprights to make a double sided workstation
- Adjustable Height work surface frame from 30 1/4" - 36 1/4", in 2" increments
- For Stainless Steel, contact your ICI Representative
- Work Surface depth details for Side B listed on previous page
- Work Surface depth details for Side A listed below see page 92 for work surface part numbers

Example of Envision 3.5, 6" Upright Double Sided Workstation with (2) Bolt-on Frames

Bolt-on Frame Cat. No.	Depth of Bolt-on Frame (D1)	Nominal Depth of Bolt-on Frame (D2)	Depth of Work Surface with 3" Notch (D3)	Width
<b>Nominal 21" Deep</b>				
E4CTFB-2142	20"	21"	24"	42"
E4CTFB-2148	20"	21"	24"	48"
E4CTFB-2160	20"	21"	24"	60"
E4CTFB-2172	20"	21"	24"	72"
<b>Nominal 24" Deep</b>				
E4CTFB-2442	23"	24"	27"	42"
E4CTFB-2448	23"	24"	27"	48"
E4CTFB-2460	23"	24"	27"	60"
E4CTFB-2472	23"	24"	27"	72"
<b>Nominal 27" Deep</b>				
E4CTFB-2742	26"	27"	30"	42"
E4CTFB-2748	26"	27"	30"	48"
E4CTFB-2760	26"	27"	30"	60"
E4CTFB-2772	26"	27"	30"	72"
<b>Nominal 30" Deep</b>				
E4CTFB-3042	29"	30"	33"	42"
E4CTFB-3048	29"	30"	33"	48"
E4CTFB-3060	29"	30"	33"	60"
E4CTFB-3072	29"	30"	33"	72"

## Envision 4.5 - Bolt-On and Frame/Table - 6" Uprights Double Sided



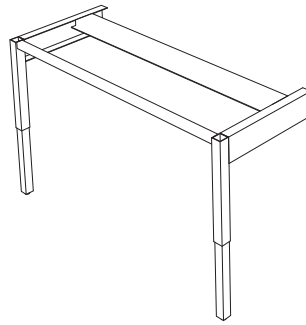
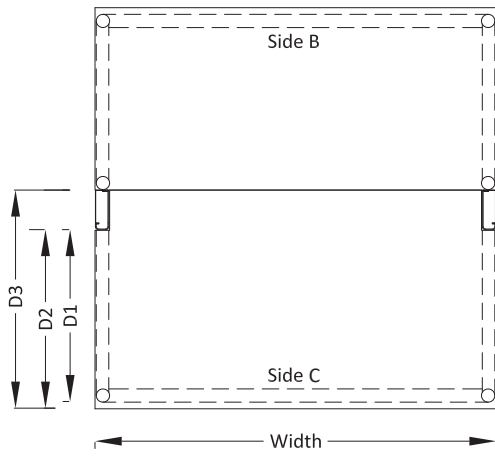
Example of Envision 4.5, 6" Upright Double Sided Workstation with (1) Bolt-on and (1) Frame/Table

- Envision 4.5 Countertop Frame/Tables are to be used to make a double sided workstation with a 3" or 6" upright
- Envision 4.5 Countertop Frame/Tables can also be free standing tables
- Adjustable Height work surface frame from 30 1/4" - 36 1/4", in 2" increments
- For Stainless Steel, contact your ICI Representative
- Work Surface ordered separately
- Work Surface depth details for Side C listed on next page
- Work Surface depth details for Side B listed below see page 94 for work surface part numbers

Bolt-on Frame Cat. No.	Depth of Frame/Table (D4)	Depth of Work Surface with No Notch (D5)	Width	Bolt-on Frame Cat. No.	Depth of Frame/Table (D4)	Depth of Work Surface with No Notch (D5)	Width
<b>Nominal 15" Deep</b>				<b>Nominal 27" Deep</b>			
E4CTFT-1542	14"	15"	42"	E4CTFT-2742	26"	27"	42"
E4CTFT-1548	14"	15"	48"	E4CTFT-2748	26"	27"	48"
E4CTFT-1560	14"	15"	60"	E4CTFT-2760	26"	27"	60"
E4CTFT-1572	14"	15"	72"	E4CTFT-2772	26"	27"	72"
<b>Nominal 18" Deep</b>				<b>Nominal 30" Deep</b>			
E4CTFT-1842	17"	18"	42"	E4CTFT-3042	29"	30"	42"
E4CTFT-1848	17"	18"	48"	E4CTFT-3048	29"	30"	48"
E4CTFT-1860	17"	18"	60"	E4CTFT-3060	29"	30"	60"
E4CTFT-1872	17"	18"	72"	E4CTFT-3072	29"	30"	72"
<b>Nominal 19" Deep</b>				<b>Nominal 33" Deep</b>			
E4CTFT-1942	18"	19"	42"	E4CTFT-3342	32"	33"	42"
E4CTFT-1948	18"	19"	48"	E4CTFT-3348	32"	33"	48"
E4CTFT-1960	18"	19"	60"	E4CTFT-3360	32"	33"	60"
E4CTFT-1972	18"	19"	72"	E4CTFT-3372	32"	33"	72"
<b>Nominal 21" Deep</b>				<b>Nominal 36" Deep</b>			
E4CTFT-2142	20"	21"	42"	E4CTFT-3642	35"	36"	42"
E4CTFT-2148	20"	21"	48"	E4CTFT-3648	35"	36"	48"
E4CTFT-2160	20"	21"	60"	E4CTFT-3660	35"	36"	60"
E4CTFT-2172	20"	21"	72"	E4CTFT-3672	35"	36"	72"
<b>Nominal 24" Deep</b>							
E4CTFT-2442	23"	24"	42"				
E4CTFT-2448	23"	24"	48"				
E4CTFT-2460	23"	24"	60"				
E4CTFT-2472	23"	24"	72"				

# Envision 4.5

## Envision 4.5 - Bolt-On and Table - 6" Uprights Double Sided

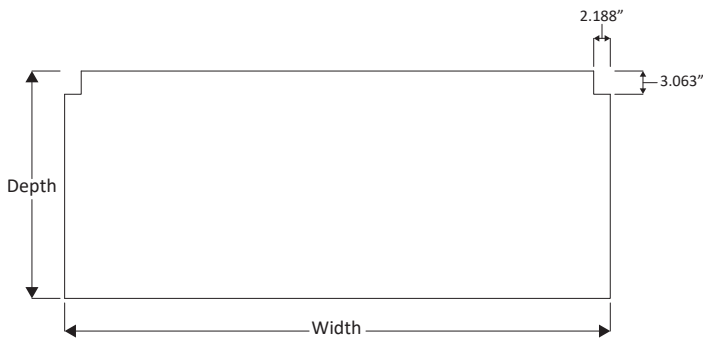


Example of Envision 4.5, 6" Upright Double Sided Workstation with (1) Bolt-on and (1) Table

- Envision 4.5 Tables are to be used to make a double sided workstation with a 3" or 6" upright
- Envision 4.5 Tables can also be free standing tables
- Adjustable Height work surface frame from 30 1/4" - 36 1/4", in 2" increments
- For Stainless Steel, contact your ICI Representative
- Work Surface ordered separately
- Work Surface depth details for Side B listed on previous page
- Work Surface depth details for Side C listed below see page 93 for work surface part numbers

Bolt-on Frame Cat. No.	Depth of Bolt-on Frame (D1)	Nominal Depth of Bolt-on Frame (D2)	Depth of Work Surface with 6" Notch (D3)	Width
<b>Nominal 21" Deep</b>				
E4CTFB-2142	20"	21"	27"	42"
E4CTFB-2148	20"	21"	27"	48"
E4CTFB-2160	20"	21"	27"	60"
E4CTFB-2172	20"	21"	27"	72"
<b>Nominal 24" Deep</b>				
E4CTFB-2442	23"	24"	30"	42"
E4CTFB-2448	23"	24"	30"	48"
E4CTFB-2460	23"	24"	30"	60"
E4CTFB-2472	23"	24"	30"	72"
<b>Nominal 27" Deep</b>				
E4CTFB-2742	26"	27"	33"	42"
E4CTFB-2748	26"	27"	33"	48"
E4CTFB-2760	26"	27"	33"	60"
E4CTFB-2772	26"	27"	33"	72"
<b>Nominal 30" Deep</b>				
E4CTFB-3042	29"	30"	36"	42"
E4CTFB-3048	29"	30"	36"	48"
E4CTFB-3060	29"	30"	36"	60"
E4CTFB-3072	29"	30"	36"	72"

## Envision 4.5 - 3" Upright Notched Work Surface

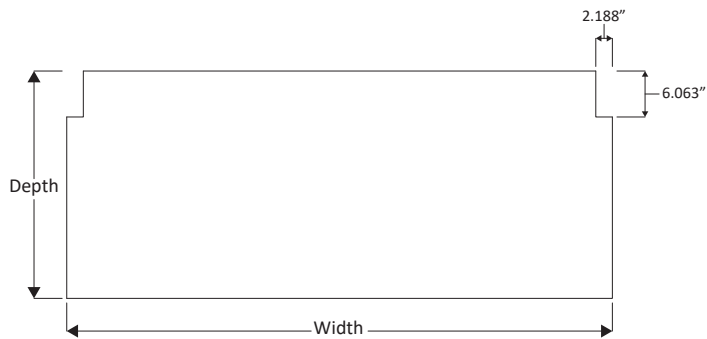


- This work surface is to be used with Envision 4.5, 6" upright

Epoxy	Cat. No. Phenolic	Stainless Steel	Width
<b>24" Deep Top</b>			
E4CT1ER3-2442	E4CT1PH3-2442	E4CT1SS3-2442	42"
E4CT1ER3-2448	E4CT1PH3-2448	E4CT1SS3-2448	48"
E4CT1ER3-2460	E4CT1PH3-2460	E4CT1SS3-2460	60"
E4CT1ER3-2472	E4CT1PH3-2472	E4CT1SS3-2472	72"
<b>27" Deep Top</b>			
E4CT1ER3-2742	E4CT1PH3-2742	E4CT1SS3-2742	42"
E4CT1ER3-2748	E4CT1PH3-2748	E4CT1SS3-2748	48"
E4CT1ER3-2760	E4CT1PH3-2760	E4CT1SS3-2760	60"
E4CT1ER3-2772	E4CT1PH3-2772	E4CT1SS3-2772	72"
<b>30" Deep Top</b>			
E4CT1ER3-3042	E4CT1PH3-3042	E4CT1SS3-3042	42"
E4CT1ER3-3048	E4CT1PH3-3048	E4CT1SS3-3048	48"
E4CT1ER3-3060	E4CT1PH3-3060	E4CT1SS3-3060	60"
E4CT1ER3-3072	E4CT1PH3-3072	E4CT1SS3-3072	72"
<b>33" Deep Top</b>			
E4CT1ER3-3342	E4CT1PH3-3342	E4CT1SS3-3342	42"
E4CT1ER3-3348	E4CT1PH3-3348	E4CT1SS3-3348	48"
E4CT1ER3-3360	E4CT1PH3-3360	E4CT1SS3-3360	60"
E4CT1ER3-3372	E4CT1PH3-3372	E4CT1SS3-3372	72"
<b>36" Deep Top</b>			
E4CT1ER3-3642	E4CT1PH3-3642	E4CT1SS3-3642	42"
E4CT1ER3-3648	E4CT1PH3-3648	E4CT1SS3-3648	48"
E4CT1ER3-3660	E4CT1PH3-3660	E4CT1SS3-3660	60"
E4CT1ER3-3672	E4CT1PH3-3672	E4CT1SS3-3672	72"

# Envision 4.5

## Envision 4.5 - 6" Upright Notched Work Surface

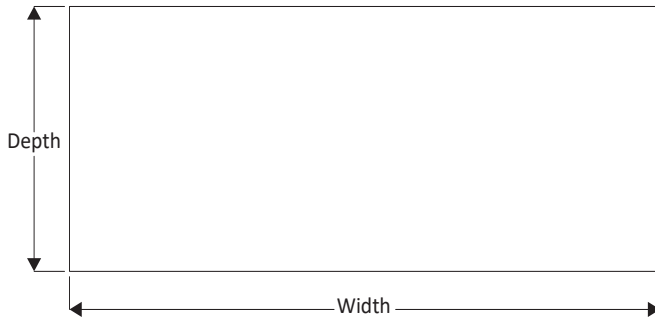


- This work surface is to be used with Envision 4.5, 6" upright

Epoxy	Cat. No. Phenolic	Stainless Steel	Width
<b>27" Deep Top</b>			
E4CT1ER6-2742	E4CT1PH6-2742	E4CT1SS6-2742	42"
E4CT1ER6-2748	E4CT1PH6-2748	E4CT1SS6-2748	48"
E4CT1ER6-2760	E4CT1PH6-2760	E4CT1SS6-2760	60"
E4CT1ER6-2772	E4CT1PH6-2772	E4CT1SS6-2772	72"
<b>30" Deep Top</b>			
E4CT1ER6-3042	E4CT1PH6-3042	E4CT1SS6-3042	42"
E4CT1ER6-3048	E4CT1PH6-3048	E4CT1SS6-3048	48"
E4CT1ER6-3060	E4CT1PH6-3060	E4CT1SS6-3060	60"
E4CT1ER6-3072	E4CT1PH6-3072	E4CT1SS6-3072	72"
<b>33" Deep Top</b>			
E4CT1ER6-3342	E4CT1PH6-3342	E4CT1SS6-3342	42"
E4CT1ER6-3348	E4CT1PH6-3348	E4CT1SS6-3348	48"
E4CT1ER6-3360	E4CT1PH6-3360	E4CT1SS6-3360	60"
E4CT1ER6-3372	E4CT1PH6-3372	E4CT1SS6-3372	72"
<b>36" Deep Top</b>			
E4CT1ER6-3642	E4CT1PH6-3642	E4CT1SS6-3642	42"
E4CT1ER6-3648	E4CT1PH6-3648	E4CT1SS6-3648	48"
E4CT1ER6-3660	E4CT1PH6-3660	E4CT1SS6-3660	60"
E4CT1ER6-3672	E4CT1PH6-3672	E4CT1SS6-3672	72"



## Envision 4.5 - No Notch Work Surface

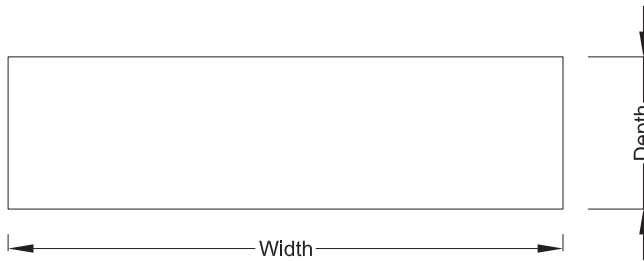


- This work surface is to be used with an Envision 4.5 Frame/ Table

15" Deep Top				27" Deep Top			
Epoxy	Cat. No. Phenolic	Stainless Steel	Width	Epoxy	Cat. No. Phenolic	Stainless Steel	Width
E4CT1ERT-1542	E4CT1PHT-1542	E4CT1SST-1542	42"	E4CT1ERT-2742	E4CT1PHT-2742	E4CT1SST-2742	42"
E4CT1ERT-1548	E4CT1PHT-1548	E4CT1SST-1548	48"	E4CT1ERT-2748	E4CT1PHT-2748	E4CT1SST-2748	48"
E4CT1ERT-1560	E4CT1PHT-1560	E4CT1SST-1560	60"	E4CT1ERT-2760	E4CT1PHT-2760	E4CT1SST-2760	60"
E4CT1ERT-1572	E4CT1PHT-1572	E4CT1SST-1572	72"	E4CT1ERT-2772	E4CT1PHT-2772	E4CT1SST-2772	72"
18" Deep Top				30" Deep Top			
E4CT1ERT-1842	E4CT1PHT-1842	E4CT1SST-1842	42"	E4CT1ERT-3042	E4CT1PHT-3042	E4CT1SST-3042	42"
E4CT1ERT-1848	E4CT1PHT-1848	E4CT1SST-1848	48"	E4CT1ERT-3048	E4CT1PHT-3048	E4CT1SST-3048	48"
E4CT1ERT-1860	E4CT1PHT-1860	E4CT1SST-1860	60"	E4CT1ERT-3060	E4CT1PHT-3060	E4CT1SST-3060	60"
E4CT1ERT-1872	E4CT1PHT-1872	E4CT1SST-1872	72"	E4CT1ERT-3072	E4CT1PHT-3072	E4CT1SST-3072	72"
19" Deep Top				33" Deep Top			
E4CT1ERT-1942	E4CT1PHT-1942	E4CT1SST-1942	42"	E4CT1ERT-3342	E4CT1PHT-3342	E4CT1SST-3342	42"
E4CT1ERT-1948	E4CT1PHT-1948	E4CT1SST-1948	48"	E4CT1ERT-3348	E4CT1PHT-3348	E4CT1SST-3348	48"
E4CT1ERT-1960	E4CT1PHT-1960	E4CT1SST-1960	60"	E4CT1ERT-3360	E4CT1PHT-3360	E4CT1SST-3360	60"
E4CT1ERT-1972	E4CT1PHT-1972	E4CT1SST-1972	72"	E4CT1ERT-3372	E4CT1PHT-3372	E4CT1SST-3372	72"
21" Deep Top				36" Deep Top			
E4CT1ERT-2142	E4CT1PHT-2142	E4CT1SST-2142	42"	E4CT1ERT-3642	E4CT1PHT-3642	E4CT1SST-3642	42"
E4CT1ERT-2148	E4CT1PHT-2148	E4CT1SST-2148	48"	E4CT1ERT-3648	E4CT1PHT-3648	E4CT1SST-3648	48"
E4CT1ERT-2160	E4CT1PHT-2160	E4CT1SST-2160	60"	E4CT1ERT-3660	E4CT1PHT-3660	E4CT1SST-3660	60"
E4CT1ERT-2172	E4CT1PHT-2172	E4CT1SST-2172	72"	E4CT1ERT-3672	E4CT1PHT-3672	E4CT1SST-3672	72"
24" Deep Top							
E4CT1ERT-2442	E4CT1PHT-2442	E4CT1SST-2442	42"				
E4CT1ERT-2448	E4CT1PHT-2448	E4CT1SST-2448	48"				
E4CT1ERT-2460	E4CT1PHT-2460	E4CT1SST-2460	60"				
E4CT1ERT-2472	E4CT1PHT-2472	E4CT1SST-2472	72"				

# Envision 4.5

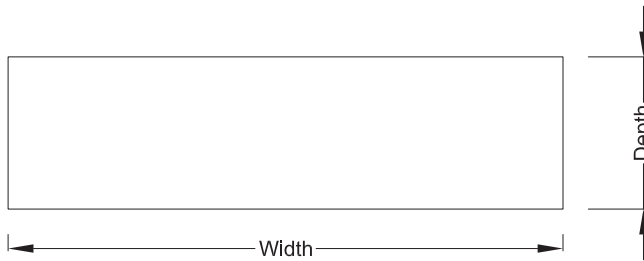
## Envision 4.5 - .75" Thick Shelving - No Rear Rod Cutout



- These shelves to be used with Envision 4.5 brackets
- Each part number includes (1) shelf

Epoxy	Cat. No.		Painted Steel	Stainless Steel	Wood - Maple	Wood - Oak	Actual Width	For Use With:
	Phenolic							
<b>9.5" Deep</b>								
E45S75ER-9542	E45S75PH-9542	E45S75MS-9542	E45S75SS-9542	E45S75WM-9542	E45S75WO-9542	37.75"	42" Wide Upright	
E45S75ER-9548	E45S75PH-9548	E45S75MS-9548	E45S75SS-9548	E45S75WM-9548	E45S75WO-9548	43.75"	48" Wide Upright	
E45S75ER-9560	E45S75PH-9560	E45S75MS-9560	E45S75SS-9560	E45S75WM-9560	E45S75WO-9560	55.75"	60" Wide Upright	
E45S75ER-9572	E45S75PH-9572	E45S75MS-9572	E45S75SS-9572	E45S75WM-9572	E45S75WO-9572	67.75"	72" Wide Upright	
<b>12" Deep</b>								
E45S75ER-1242	E45S75PH-1242	E45S75MS-1242	E45S75SS-1242	E45S75WM-1242	E45S75WO-1242	37.75"	42" Wide Upright	
E45S75ER-1248	E45S75PH-1248	E45S75MS-1248	E45S75SS-1248	E45S75WM-1248	E45S75WO-1248	43.75"	48" Wide Upright	
E45S75ER-1260	E45S75PH-1260	E45S75MS-1260	E45S75SS-1260	E45S75WM-1260	E45S75WO-1260	55.75"	60" Wide Upright	
E45S75ER-1272	E45S75PH-1272	E45S75MS-1272	E45S75SS-1272	E45S75WM-1272	E45S75WO-1272	67.75"	72" Wide Upright	
<b>13" Deep</b>								
E45S75ER-1342	E45S75PH-1342	E45S75MS-1342	E45S75SS-1342	E45S75WM-1342	E45S75WO-1342	37.75"	42" Wide Upright	
E45S75ER-1348	E45S75PH-1348	E45S75MS-1348	E45S75SS-1348	E45S75WM-1348	E45S75WO-1348	43.75"	48" Wide Upright	
E45S75ER-1360	E45S75PH-1360	E45S75MS-1360	E45S75SS-1360	E45S75WM-1360	E45S75WO-1360	55.75"	60" Wide Upright	
E45S75ER-1372	E45S75PH-1372	E45S75MS-1372	E45S75SS-1372	E45S75WM-1372	E45S75WO-1372	67.75"	72" Wide Upright	
<b>15" Deep</b>								
E45S75ER-1542	E45S75PH-1542	E45S75MS-1542	E45S75SS-1542	E45S75WM-1542	E45S75WO-1542	37.75"	42" Wide Upright	
E45S75ER-1548	E45S75PH-1548	E45S75MS-1548	E45S75SS-1548	E45S75WM-1548	E45S75WO-1548	43.75"	48" Wide Upright	
E45S75ER-1560	E45S75PH-1560	E45S75MS-1560	E45S75SS-1560	E45S75WM-1560	E45S75WO-1560	55.75"	60" Wide Upright	
E45S75ER-1572	E45S75PH-1572	E45S75MS-1572	E45S75SS-1572	E45S75WM-1572	E45S75WO-1572	67.75"	72" Wide Upright	
<b>16" Deep</b>								
E45S75ER-1642	E45S75PH-1642	E45S75MS-1642	E45S75SS-1642	E45S75WM-1642	E45S75WO-1642	37.75"	42" Wide Upright	
E45S75ER-1648	E45S75PH-1648	E45S75MS-1648	E45S75SS-1648	E45S75WM-1648	E45S75WO-1648	43.75"	48" Wide Upright	
E45S75ER-1660	E45S75PH-1660	E45S75MS-1660	E45S75SS-1660	E45S75WM-1660	E45S75WO-1660	55.75"	60" Wide Upright	
E45S75ER-1672	E45S75PH-1672	E45S75MS-1672	E45S75SS-1672	E45S75WM-1672	E45S75WO-1672	67.75"	72" Wide Upright	
<b>18" Deep</b>								
E45S75ER-1842	E45S75PH-1842	E45S75MS-1842	E45S75SS-1842	E45S75WM-1842	E45S75WO-1842	37.75"	42" Wide Upright	
E45S75ER-1848	E45S75PH-1848	E45S75MS-1848	E45S75SS-1848	E45S75WM-1848	E45S75WO-1848	43.75"	48" Wide Upright	
E45S75ER-1860	E45S75PH-1860	E45S75MS-1860	E45S75SS-1860	E45S75WM-1860	E45S75WO-1860	55.75"	60" Wide Upright	
E45S75ER-1872	E45S75PH-1872	E45S75MS-1872	E45S75SS-1872	E45S75WM-1872	E45S75WO-1872	67.75"	72" Wide Upright	

## Envision 4.5 - 1" Thick Shelving - No Rear Rod Cutout

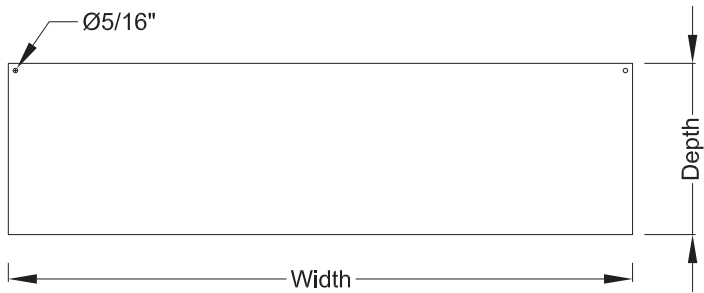


- These shelves to be used with Envision 4.5 brackets
- Each part number includes (1) shelf

Epoxy	Cat. No. Phenolic	Painted Steel	Stainless Steel	Wood - Maple	Wood - Oak	Actual Width	For Use With:
<b>9.5" Deep</b>							
E45S1ER-9542	E45S1PH-9542	E45S1MS-9542	E45S1SS-9542	E45S1WM-9542	E45S1WO-9542	37.75"	42" Wide Upright
E45S1ER-9548	E45S1PH-9548	E45S1MS-9548	E45S1SS-9548	E45S1WM-9548	E45S1WO-9548	43.75"	48" Wide Upright
E45S1ER-9560	E45S1PH-9560	E45S1MS-9560	E45S1SS-9560	E45S1WM-9560	E45S1WO-9560	55.75"	60" Wide Upright
E45S1ER-9572	E45S1PH-9572	E45S1MS-9572	E45S1SS-9572	E45S1WM-9572	E45S1WO-9572	67.75"	72" Wide Upright
<b>12" Deep</b>							
E45S1ER-1242	E45S1PH-1242	E45S1MS-1242	E45S1SS-1242	E45S1WM-1242	E45S1WO-1242	37.75"	42" Wide Upright
E45S1ER-1248	E45S1PH-1248	E45S1MS-1248	E45S1SS-1248	E45S1WM-1248	E45S1WO-1248	43.75"	48" Wide Upright
E45S1ER-1260	E45S1PH-1260	E45S1MS-1260	E45S1SS-1260	E45S1WM-1260	E45S1WO-1260	55.75"	60" Wide Upright
E45S1ER-1272	E45S1PH-1272	E45S1MS-1272	E45S1SS-1272	E45S1WM-1272	E45S1WO-1272	67.75"	72" Wide Upright
<b>13" Deep</b>							
E45S1ER-1342	E45S1PH-1342	E45S1MS-1342	E45S1SS-1342	E45S1WM-1342	E45S1WO-1342	37.75"	42" Wide Upright
E45S1ER-1348	E45S1PH-1348	E45S1MS-1348	E45S1SS-1348	E45S1WM-1348	E45S1WO-1348	43.75"	48" Wide Upright
E45S1ER-1360	E45S1PH-1360	E45S1MS-1360	E45S1SS-1360	E45S1WM-1360	E45S1WO-1360	55.75"	60" Wide Upright
E45S1ER-1372	E45S1PH-1372	E45S1MS-1372	E45S1SS-1372	E45S1WM-1372	E45S1WO-1372	67.75"	72" Wide Upright
<b>15" Deep</b>							
E45S1ER-1542	E45S1PH-1542	E45S1MS-1542	E45S1SS-1542	E45S1WM-1542	E45S1WO-1542	37.75"	42" Wide Upright
E45S1ER-1548	E45S1PH-1548	E45S1MS-1548	E45S1SS-1548	E45S1WM-1548	E45S1WO-1548	43.75"	48" Wide Upright
E45S1ER-1560	E45S1PH-1560	E45S1MS-1560	E45S1SS-1560	E45S1WM-1560	E45S1WO-1560	55.75"	60" Wide Upright
E45S1ER-1572	E45S1PH-1572	E45S1MS-1572	E45S1SS-1572	E45S1WM-1572	E45S1WO-1572	67.75"	72" Wide Upright
<b>16" Deep</b>							
E45S1ER-1642	E45S1PH-1642	E45S1MS-1642	E45S1SS-1642	E45S1WM-1642	E45S1WO-1642	37.75"	42" Wide Upright
E45S1ER-1648	E45S1PH-1648	E45S1MS-1648	E45S1SS-1648	E45S1WM-1648	E45S1WO-1648	43.75"	48" Wide Upright
E45S1ER-1660	E45S1PH-1660	E45S1MS-1660	E45S1SS-1660	E45S1WM-1660	E45S1WO-1660	55.75"	60" Wide Upright
E45S1ER-1672	E45S1PH-1672	E45S1MS-1672	E45S1SS-1672	E45S1WM-1672	E45S1WO-1672	67.75"	72" Wide Upright
<b>18" Deep</b>							
E45S1ER-1842	E45S1PH-1842	E45S1MS-1842	E45S1SS-1842	E45S1WM-1842	E45S1WO-1842	37.75"	42" Wide Upright
E45S1ER-1848	E45S1PH-1848	E45S1MS-1848	E45S1SS-1848	E45S1WM-1848	E45S1WO-1848	43.75"	48" Wide Upright
E45S1ER-1860	E45S1PH-1860	E45S1MS-1860	E45S1SS-1860	E45S1WM-1860	E45S1WO-1860	55.75"	60" Wide Upright
E45S1ER-1872	E45S1PH-1872	E45S1MS-1872	E45S1SS-1872	E45S1WM-1872	E45S1WO-1872	67.75"	72" Wide Upright

# Envision 4.5

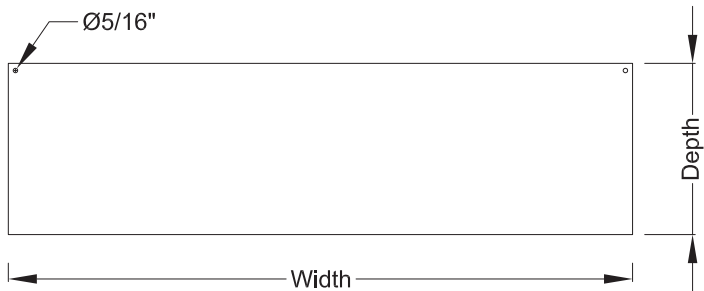
## Envision 4.5 - .75" Thick Shelving with Cutouts for Rear Rod



- These shelves to be used with Envision 4.5 brackets
- Each part number includes (1) shelf
- These shelves include cutouts for rear rod

Epoxy	Cat. No. Phenolic	Painted Steel	Stainless Steel	Wood - Maple	Wood - Oak	Actual Width	For Use With:
<b>9.5" Deep</b>							
E45S75ERR-9542	E45S75PHR-9542	E45S75MSR-9542	E45S75SSR-9542	E45S75WMMR-9542	E45S75WOR-9542	37.75"	42" Wide Upright
E45S75ERR-9548	E45S75PHR-9548	E45S75MSR-9548	E45S75SSR-9548	E45S75WMMR-9548	E45S75WOR-9548	43.75"	48" Wide Upright
E45S75ERR-9560	E45S75PHR-9560	E45S75MSR-9560	E45S75SSR-9560	E45S75WMMR-9560	E45S75WOR-9560	55.75"	60" Wide Upright
E45S75ERR-9572	E45S75PHR-9572	E45S75MSR-9572	E45S75SSR-9572	E45S75WMMR-9572	E45S75WOR-9572	67.75"	72" Wide Upright
<b>12" Deep</b>							
E45S75ERR-1242	E45S75PHR-1242	E45S75MSR-1242	E45S75SSR-1242	E45S75WMMR-1242	E45S75WOR-1242	37.75"	42" Wide Upright
E45S75ERR-1248	E45S75PHR-1248	E45S75MSR-1248	E45S75SSR-1248	E45S75WMMR-1248	E45S75WOR-1248	43.75"	48" Wide Upright
E45S75ERR-1260	E45S75PHR-1260	E45S75MSR-1260	E45S75SSR-1260	E45S75WMMR-1260	E45S75WOR-1260	55.75"	60" Wide Upright
E45S75ERR-1272	E45S75PHR-1272	E45S75MSR-1272	E45S75SSR-1272	E45S75WMMR-1272	E45S75WOR-1272	67.75"	72" Wide Upright
<b>13" Deep</b>							
E45S75ERR-1342	E45S75PHR-1342	E45S75MSR-1342	E45S75SSR-1342	E45S75WMMR-1342	E45S75WOR-1342	37.75"	42" Wide Upright
E45S75ERR-1348	E45S75PHR-1348	E45S75MSR-1348	E45S75SSR-1348	E45S75WMMR-1348	E45S75WOR-1348	43.75"	48" Wide Upright
E45S75ERR-1360	E45S75PHR-1360	E45S75MSR-1360	E45S75SSR-1360	E45S75WMMR-1360	E45S75WOR-1360	55.75"	60" Wide Upright
E45S75ERR-1372	E45S75PHR-1372	E45S75MSR-1372	E45S75SSR-1372	E45S75WMMR-1372	E45S75WOR-1372	67.75"	72" Wide Upright
<b>15" Deep</b>							
E45S75ERR-1542	E45S75PHR-1542	E45S75MSR-1542	E45S75SSR-1542	E45S75WMMR-1542	E45S75WOR-1542	37.75"	42" Wide Upright
E45S75ERR-1548	E45S75PHR-1548	E45S75MSR-1548	E45S75SSR-1548	E45S75WMMR-1548	E45S75WOR-1548	43.75"	48" Wide Upright
E45S75ERR-1560	E45S75PHR-1560	E45S75MSR-1560	E45S75SSR-1560	E45S75WMMR-1560	E45S75WOR-1560	55.75"	60" Wide Upright
E45S75ERR-1572	E45S75PHR-1572	E45S75MSR-1572	E45S75SSR-1572	E45S75WMMR-1572	E45S75WOR-1572	67.75"	72" Wide Upright
<b>16" Deep</b>							
E45S75ERR-1642	E45S75PHR-1642	E45S75MSR-1642	E45S75SSR-1642	E45S75WMMR-1642	E45S75WOR-1642	37.75"	42" Wide Upright
E45S75ERR-1648	E45S75PHR-1648	E45S75MSR-1648	E45S75SSR-1648	E45S75WMMR-1648	E45S75WOR-1648	43.75"	48" Wide Upright
E45S75ERR-1660	E45S75PHR-1660	E45S75MSR-1660	E45S75SSR-1660	E45S75WMMR-1660	E45S75WOR-1660	55.75"	60" Wide Upright
E45S75ERR-1672	E45S75PHR-1672	E45S75MSR-1672	E45S75SSR-1672	E45S75WMMR-1672	E45S75WOR-1672	67.75"	72" Wide Upright
<b>18" Deep</b>							
E45S75ERR-1842	E45S75PHR-1842	E45S75MSR-1842	E45S75SSR-1842	E45S75WMMR-1842	E45S75WOR-1842	37.75"	42" Wide Upright
E45S75ERR-1848	E45S75PHR-1848	E45S75MSR-1848	E45S75SSR-1848	E45S75WMMR-1848	E45S75WOR-1848	43.75"	48" Wide Upright
E45S75ERR-1860	E45S75PHR-1860	E45S75MSR-1860	E45S75SSR-1860	E45S75WMMR-1860	E45S75WOR-1860	55.75"	60" Wide Upright
E45S75ERR-1872	E45S75PHR-1872	E45S75MSR-1872	E45S75SSR-1872	E45S75WMMR-1872	E45S75WOR-1872	67.75"	72" Wide Upright

## Envision 4.5 - 1" Thick Shelving with Cutouts for Rear Rod

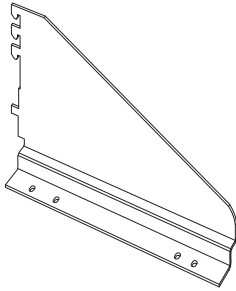


- These shelves to be used with Envision 4.5 brackets
- Each part number includes (1) shelf
- These shelves include cutouts for rear rod

Epoxy	Cat. No. Phenolic	Painted Steel	Stainless Steel	Wood - Maple	Wood - Oak	Actual Width	For Use With:
<b>9.5" Deep</b>							
E45S1ERR-9542	E45S1PHR-9542	E45S1MSR-9542	E45S1SSR-9542	E45S1WMR-9542	E45S1WOR-9542	37.75"	42" Wide Upright
E45S1ERR-9548	E45S1PHR-9548	E45S1MSR-9548	E45S1SSR-9548	E45S1WMR-9548	E45S1WOR-9548	43.75"	48" Wide Upright
E45S1ERR-9560	E45S1PHR-9560	E45S1MSR-9560	E45S1SSR-9560	E45S1WMR-9560	E45S1WOR-9560	55.75"	60" Wide Upright
E45S1ERR-9572	E45S1PHR-9572	E45S1MSR-9572	E45S1SSR-9572	E45S1WMR-9572	E45S1WOR-9572	67.75"	72" Wide Upright
<b>12" Deep</b>							
E45S1ERR-1242	E45S1PHR-1242	E45S1MSR-1242	E45S1SSR-1242	E45S1WMR-1242	E45S1WOR-1242	37.75"	42" Wide Upright
E45S1ERR-1248	E45S1PHR-1248	E45S1MSR-1248	E45S1SSR-1248	E45S1WMR-1248	E45S1WOR-1248	43.75"	48" Wide Upright
E45S1ERR-1260	E45S1PHR-1260	E45S1MSR-1260	E45S1SSR-1260	E45S1WMR-1260	E45S1WOR-1260	55.75"	60" Wide Upright
E45S1ERR-1272	E45S1PHR-1272	E45S1MSR-1272	E45S1SSR-1272	E45S1WMR-1272	E45S1WOR-1272	67.75"	72" Wide Upright
<b>13" Deep</b>							
E45S1ERR-1342	E45S1PHR-1342	E45S1MSR-1342	E45S1SSR-1342	E45S1WMR-1342	E45S1WOR-1342	37.75"	42" Wide Upright
E45S1ERR-1348	E45S1PHR-1348	E45S1MSR-1348	E45S1SSR-1348	E45S1WMR-1348	E45S1WOR-1348	43.75"	48" Wide Upright
E45S1ERR-1360	E45S1PHR-1360	E45S1MSR-1360	E45S1SSR-1360	E45S1WMR-1360	E45S1WOR-1360	55.75"	60" Wide Upright
E45S1ERR-1372	E45S1PHR-1372	E45S1MSR-1372	E45S1SSR-1372	E45S1WMR-1372	E45S1WOR-1372	67.75"	72" Wide Upright
<b>15" Deep</b>							
E45S1ERR-1542	E45S1PHR-1542	E45S1MSR-1542	E45S1SSR-1542	E45S1WMR-1542	E45S1WOR-1542	37.75"	42" Wide Upright
E45S1ERR-1548	E45S1PHR-1548	E45S1MSR-1548	E45S1SSR-1548	E45S1WMR-1548	E45S1WOR-1548	43.75"	48" Wide Upright
E45S1ERR-1560	E45S1PHR-1560	E45S1MSR-1560	E45S1SSR-1560	E45S1WMR-1560	E45S1WOR-1560	55.75"	60" Wide Upright
E45S1ERR-1572	E45S1PHR-1572	E45S1MSR-1572	E45S1SSR-1572	E45S1WMR-1572	E45S1WOR-1572	67.75"	72" Wide Upright
<b>16" Deep</b>							
E45S1ERR-1642	E45S1PHR-1642	E45S1MSR-1642	E45S1SSR-1642	E45S1WMR-1642	E45S1WOR-1642	37.75"	42" Wide Upright
E45S1ERR-1648	E45S1PHR-1648	E45S1MSR-1648	E45S1SSR-1648	E45S1WMR-1648	E45S1WOR-1648	43.75"	48" Wide Upright
E45S1ERR-1660	E45S1PHR-1660	E45S1MSR-1660	E45S1SSR-1660	E45S1WMR-1660	E45S1WOR-1660	55.75"	60" Wide Upright
E45S1ERR-1672	E45S1PHR-1672	E45S1MSR-1672	E45S1SSR-1672	E45S1WMR-1672	E45S1WOR-1672	67.75"	72" Wide Upright
<b>18" Deep</b>							
E45S1ERR-1842	E45S1PHR-1842	E45S1MSR-1842	E45S1SSR-1842	E45S1WMR-1842	E45S1WOR-1842	37.75"	42" Wide Upright
E45S1ERR-1848	E45S1PHR-1848	E45S1MSR-1848	E45S1SSR-1848	E45S1WMR-1848	E45S1WOR-1848	43.75"	48" Wide Upright
E45S1ERR-1860	E45S1PHR-1860	E45S1MSR-1860	E45S1SSR-1860	E45S1WMR-1860	E45S1WOR-1860	55.75"	60" Wide Upright
E45S1ERR-1872	E45S1PHR-1872	E45S1MSR-1872	E45S1SSR-1872	E45S1WMR-1872	E45S1WOR-1872	67.75"	72" Wide Upright

# Envision 4.5

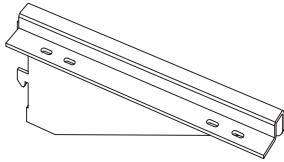
## Envision 4.5 - Bookend Brackets



- These brackets to be used with Envision 4.5 uprights
- Sold in pairs

Cat. No.		Depth
Painted Steel	Stainless Steel	
<b>.75" Thick Shelf</b>		
E4SBB75-9	E4SBB75-9S	9"
E4SBB75-12	E4SBB75-12S	12"
E4SBB75-15	E4SBB75-15S	15"
<b>1" Thick Shelf</b>		
E4SBB1-9	E4SBB1-9S	9"
E4SBB1-12	E4SBB1-12S	12"
E4SBB1-15	E4SBB1-15S	15"

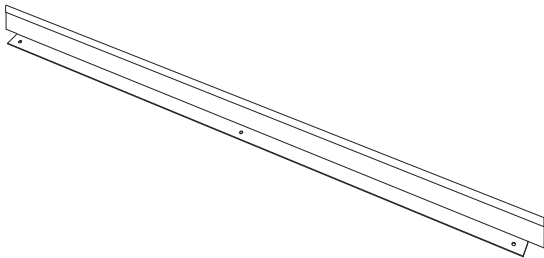
## Envision 4.5 - Inverted Brackets



- These brackets to be used with Envision 4.5 uprights
- Sold in pairs

Cat. No.		Depth
Painted Steel	Stainless Steel	
<b>.75" Thick Shelf</b>		
E4SBI75-9	E4SBI75-9S	9"
E4SBI75-12	E4SBI75-12S	12"
E4SBI75-15	E4SBI75-15S	15"
<b>1" Thick Shelf</b>		
E4SBI1-9	E4SBI1-9S	9"
E4SBI1-12	E4SBI1-12S	12"
E4SBI1-15	E4SBI1-15S	15"

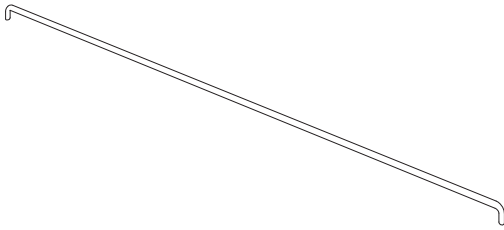
## Envision 4.5 - Shelf Lip



- These shelf lips to be used with Envision 4.5 shelves

Cat. No.		Width
Painted Steel	Stainless Steel	
<b>Shelf Lip Front Mount</b>		
E45SLF-42	E45SLF-42S	37.75"
E45SLF-48	E45SLF-48S	43.75"
E45SLF-60	E45SLF-60S	55.75"
E45SLF-72	E45SLF-72S	67.75"
<b>Shelf Lip Rear Mount</b>		
E45SLR-42	E45SLR-42S	37.75"
E45SLR-48	E45SLR-48S	43.75"
E45SLR-60	E45SLR-60S	55.75"
E45SLR-72	E45SLR-72S	67.75"

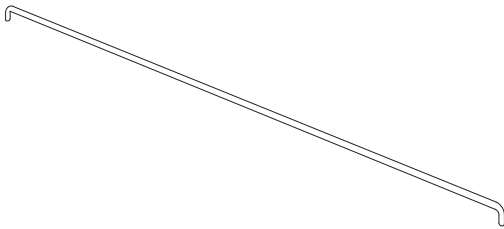
## Envision 4.5 - Front Shelf Rod



- These shelf rods to be used with Envision 4.5 shelves
- Each part number includes (1) front shelf rod. If purchasing shelf rods for 60" uprights or wider you must order (2) front shelf rods

Cat. No.		Number of Rods	Width
Aluminum	Stainless Steel		
E45SRF-42	E45SRF-42S	1	38.875"
E45SRF-48	E45SRF-48S	1	44.875"
E45SRF-60	E45SRF-60S	2	27.875"
E45SRF-72	E45SRF-72S	2	33.875"

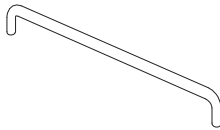
## Envision 4.5 - Rear Shelf Rod



- These shelf rods to be used with Envision 4.5 shelves
- Each part number includes (1) rear shelf rod. If purchasing shelf rods for 60" uprights or wider you must order (2) rear shelf rods

Cat. No.		Number of Rods	Width
Aluminum	Stainless Steel		
E45SRR-42	E45SRR-42S	1	36.75"
E45SRR-48	E45SRR-48S	1	42.75"
E45SRR-60	E45SRR-60S	2	25.75"
E45SRR-72	E45SRR-72S	2	31.75"

## Envision 4.5 - Side Shelf Rod



- These shelf rods to be used with Envision 4 shelves

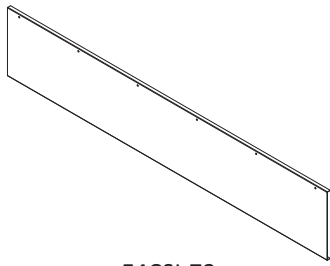
Cat. No.		Number of Rods	Depth
Aluminum	Stainless Steel		
E4SRS-9	E4SRS-9S	1	7"
E4SRS-12	E4SRS-12S	1	10"
E4SRS-15	E4SRS-15S	1	13"

## Wall Cabinet Hanger Bars

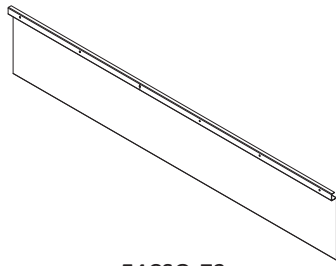
- Not available for Envision 4.5

# Envision 4.5

## Envision 4.5 - Cabinet Stop



E4CSI-72

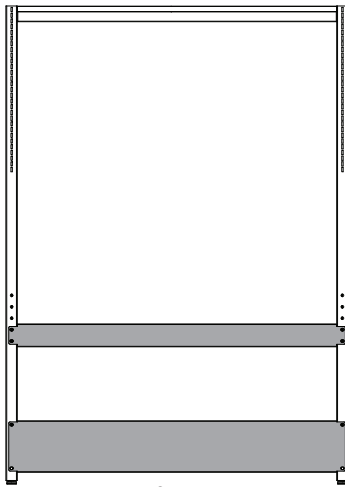


E4CSO-72

- These Cabinet Stops are to be used with Envision 4.5
- They are to prevent mobile cabinet from rolling to far under the work surface

Cat. No.		Actual Width	Width
For Inset Cabinet	For Overlay Cabinet		
E4CSI-42	E4CSO-42		42"
E4CSI-48	E4CSO-48	40.75"	48"
E4CSI-60	E4CSO-60	52.75"	60"
E4CSI-72	E4CSO-72	64.75"	72"

## Envision 4.5 - Stabilizer Bar



Elevation of Stabilizer Bars

- These Stabilizer Bars are to be used with Envision 4.5

Cat. No.		Width
Lower Brace	Upper Brace	
E4SBRL-42	E4SBRU-42	42"
E4SBRL-48	E4SBRU-48	48"
E4SBRL-60	E4SBRU-60	60"
E4SBRL-72	E4SBRU-72	72"

## Envision 4.5 - Table Support Clamps



- These are to be used with Envision 4.5
- Kit of 2 with hardware
- Use for all tables on backside of 6" uprights

Cat. No.	Type
E4TSC	Table Support Clamps



## LED Task Lighting for Envision 4.5



- Touch and hold continuous dimming and 10 hour automatic turnoff
- Units with (1) light include: (1) LED task light, magnetic angle mount that allows for up to 25° adjustment, 60 watt power supply with magnetic mount and 6' white cord
- Units with (2) lights include: (2) LED task light, magnetic angle mount that allows for up to 25° adjustment, 60 watt power supply with magnetic mount, 6' white cord, and 1 interlink cord to connect lights
- 60 watt power supply with magnetic mount and 6' white cord
- Made with anodized aluminum
- Lasts up to 50,000 hours

Cat. No.	Quantity of Lights	Actual Width	For use with:
<b>Single Sided</b>			
TL17-LED	1	17"	42" wide Table
TL17-LED	1	17"	48" wide Table
TL34-LED	2	17"	60" wide Table
TL34-LED	2	17"	72" wide Table
<b>Double Sided</b>			
TL17-LEDDBL	2	17"	42" wide Table
TL17-LEDDBL	2	17"	48" wide Table
TL34-LEDDBL	4	17"	60" wide Table
TL34-LEDDBL	4	17"	72" wide Table

# Envision 4.5 Electrical

## Envision 4.5 Electrical for 6" upright

**Sample:** E45W6I  $\frac{\quad}{1} \frac{\quad}{2} \frac{\quad}{3}$  - (width of upright)

**Space 1 Options:**

G = Grey  
I = Ivory  
W = White

**Space 2 Options:**

4 = 4' cord above upright  
6 = 6' cord above upright

**Space 3 Options:**

(Blank) = Standard outlet  
G - GFI outlet

Cat. No.	Description	Width Options
E45W6I ____ - ____	2 circuit, 1 plug, 6 electrical outlets	42", 48", 60", 72"
E45W6J ____ - ____	2 circuit, 2 plug, 6 electrical outlets	42", 48", 60", 72"
E45W6K ____ - ____	3 circuit, 2 plug, 6 electrical outlets	42", 48", 60", 72"
E45W6L ____ - ____	4 circuit, 2 plug, 6 electrical outlets	42", 48", 60", 72"

**Example:** E45W6IG4G-48

Envision 4.5 Wiring for 6" upright, Grey, 2 circuit, 1 plug, 6 GFI outlets, for 48" wide upright

**Note:** All electrical components are UL Labeled and pre-wiring is UL Listed

## Envision 4.5 Data for 6" upright

**Sample:** E45D6<sub>1</sub><sub>2</sub><sub>3</sub> - (width of upright)

**Space 1 Options:**

2 = Double Data  
4 = Quad Data

**Space 2 Options:**

G = Light Grey

**Space 3 Options:**

4 = 4' cord above upright  
6 = 6' cord above upright

Cat. No.	Description	Width Options
E45D6____-__	Double Data Outlet	42", 48", 60", 72"
E45D6____-__	Quad Data Outlet	42", 48", 60", 72"

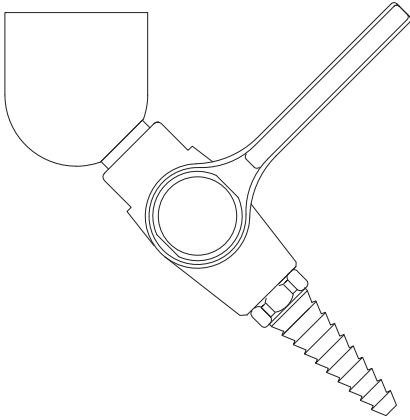
**Example:** E45D62G4-48

Envision 4.5 Data for 6" upright, Light Grey, Double Data Outlet, for 48" wide upright

**Note:** Data is CAT-5E

# Envision Plumbing

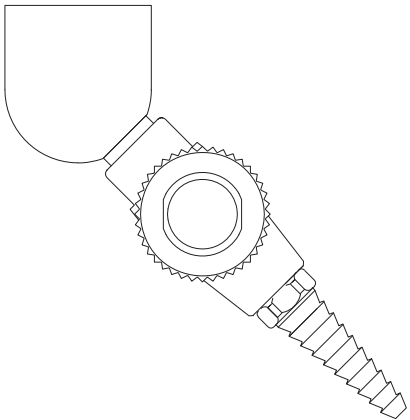
## Single Brass Ball Valve Turret



- Single Brass Ball Valve Turret
- To be used with any Envision Upright

Cat. No.		Service	Color
Left Hand	Right Hand		
E3SBVL-K1	E3SBVR-K1	Helium	Black
E3SBVL-K2	E3SBVR-K2	Air	Orange
E3SBVL-K4	E3SBVR-K4	Vacuum	Yellow
E3SBVL-K5	E3SBVR-K5	Gas	Blue
E3SBVL-K6	E3SBVR-K6	Natural Gas	Blue
E3SBVL-K7	E3SBVR-K7	Argon	Violet
E3SBVL-K8	E3SBVR-K8	Nitrogen	Brown

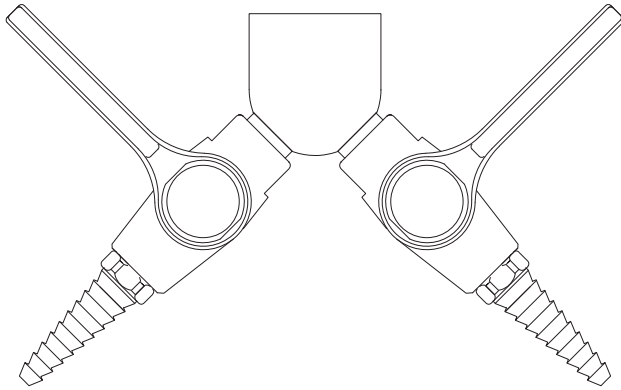
## Single Brass Instrument (Needle) Valve Turret



- Single Brass Instrument (Needle) Valve Turret
- To be used with any Envision Upright

Cat. No.		Service	Color
Left Hand	Right Hand		
E3SIVL-K1	E3SIVR-K1	Helium	Black
E3SIVL-K2	E3SIVR-K2	Air	Orange
E3SIVL-K4	E3SIVR-K4	Vacuum	Yellow
E3SIVL-K5	E3SIVR-K5	Gas	Blue
E3SIVL-K6	E3SIVR-K6	Natural Gas	Blue
E3SIVL-K7	E3SIVR-K7	Argon	Violet
E3SIVL-K8	E3SIVR-K8	Nitrogen	Brown

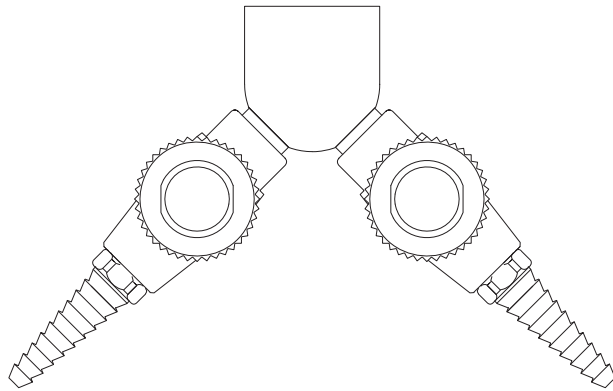
## Double Brass Ball Valve Turret



- Double Brass Ball Valve Turret
- To be used with any Envision Upright

Cat. No.	Service	Color
E3DBV-K1	Helium	Black
E3DBV-K2	Air	Orange
E3DBV-K4	Vacuum	Yellow
E3DBV-K5	Gas	Blue
E3DBV-K6	Natural Gas	Blue
E3DBV-K7	Argon	Violet
E3DBV-K8	Nitrogen	Brown

## Double Brass Instrument (Needle) Valve Turret



- Double Brass Instrument (Needle) Valve Turret
- To be used with any Envision Upright

Cat. No.	Service	Color
E3DIV-K1	Helium	Black
E3DIV-K2	Air	Orange
E3DIV-K4	Vacuum	Yellow
E3DIV-K5	Gas	Blue
E3DIV-K6	Natural Gas	Blue
E3DIV-K7	Argon	Violet
E3DIV-K8	Nitrogen	Brown

## Plumbing Cutout Plug

- When not using plumbing fixture, a Plumbing Cutout Plug is needed

Cat. No.	Color
E3PP	Black

# Envision Plumbing

For Pre-piping, contact your ICI Representative

## Reinforced PVC Flexible Hoses



- For use with 3" or 6" Envision Upright
- For non-burning gases
- Color-coded hoses available, contact your ICI representative

**Details:**

- Material: Reinforced PVC
- O.D.:
- I.D.:
- FNPT: 3/8"
- MNPT: 3/8"

Cat. No.	Color
48" Long above the upright	
E3PRP5W4	White
72" Long above the upright	
E3PRP5W6	White

## Braided Stainless Steel Flexible Hoses



- For use with 3" or 6" Envision Upright
- For natural and reactive gases
- Color-coded hoses available, contact your ICI representative

**Details:**

- Material: Braided Stainless Steel
- O.D.:
- I.D.:
- FNPT: 3/8"
- MNPT: 3/8"

Cat. No.	Color
48" Long above the upright	
E3PSGW4	Stainless Steel
72" Long above the upright	
E3PSGW6	Stainless Steel

## Hose/Wire Management System



Cat. No.	Length	Color
E3HM-48	48"	Black
E3HM-72	72"	Black

## Male Quick Connection at the End of the Hose



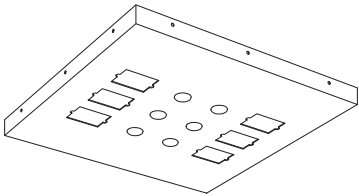
**Details:**

- Material: Brass
- 3/8" MNPT

Cat. No.	Service	Color
E3PFWQPM-K1	Helium	Black
E3PFWQPM-K2	Air	Orange
E3PFWQPM-K4	Vacuum	Yellow
E3PFWQPM-K5	Gas	Blue
E3PFWQPM-K6	Natural Gas	Blue
E3PFWQPM-K7	Argon	Violet
E3PFWQPM-K8	Nitrogen	Brown

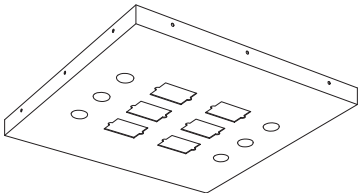
For custom configurations, contact your ICI representative.

## Overhead Service Panel for Envision



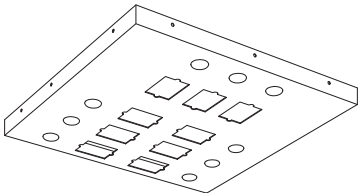
- See image for cut out configuration
- (6) J Box Cutouts
- (6) Plumbing Cutouts

Cat. No.	Dimensions
E3CP2424D	24" x 24"



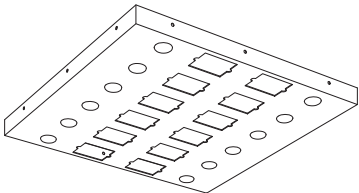
- See image for cut out configuration
- (6) J Box Cutouts
- (6) Plumbing Cutouts

Cat. No.	Dimensions
E3CP2424F	24" x 24"



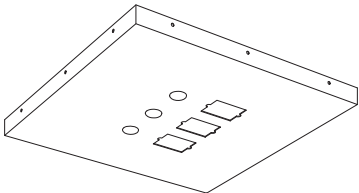
- See image for cut out configuration
- (9) J Box Cutouts
- (9) Plumbing Cutouts

Cat. No.	Dimensions
E3CP2424G	24" x 24"



- See image for cut out configuration
- (12) J Box Cutouts
- (12) Plumbing Cutouts

Cat. No.	Dimensions
E3CP2424H	24" x 24"

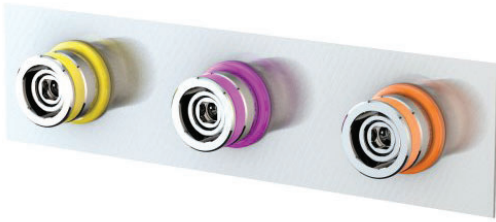


- See image for cut out configuration
- (3) J Box Cutouts
- (3) Plumbing Cutouts

Cat. No.	Dimensions
E3CP2424V	24" x 24"

# Envision Accessories

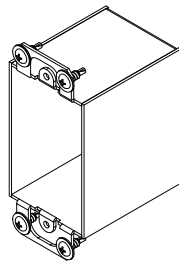
## Quick Connect Outlets for Ceilings Panels



- Envision Plumbing Fitting Brass 3/8" MNPT to QC Body QCFL-B-3M-K (for ceiling panel)

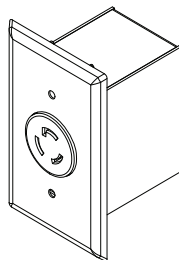
Cat. No.	Type
E3PFWQBM-K1	Helium
E3PFWQBM-K2	Air
E3PFWQBM-K4	Vacuum
E3PFWQBM-K5	Gas
E3PFWQBM-K6	Natural Gas
E3PFWQBM-K7	Argon
E3PFWQBM-K8	Nitrogen
E3CPP	Ceiling Panel Plug Cover

## Junction Box



Cat. No.	Type
E3CPJB	J-Box

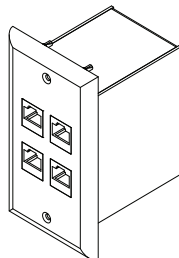
## Electrical Box Assemblies



- Includes: Junction box, electrical outlet, stainless steel cover plate

Cat. No.	Type
E3CPL5-KIT	L5-20R
E3CPL14-KIT	L14-20R

## Data Box Assemblies

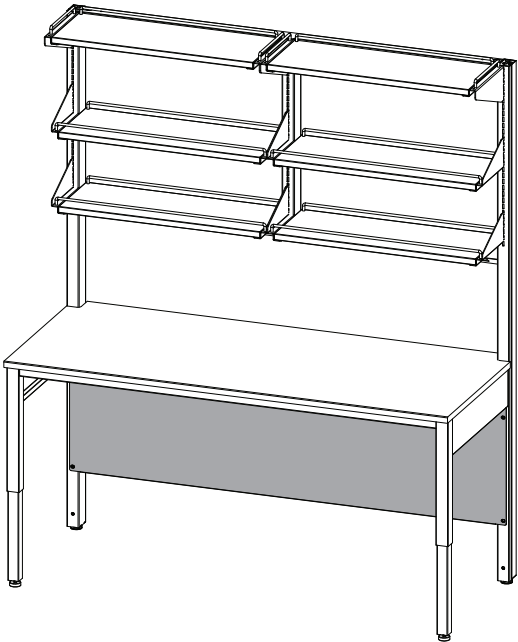


- Includes: Junction box, data outlet, stainless steel cover plate
- CAT-5E

Cat. No.	Type
E3CPD2-KIT	2 Data Outlets
E3CPD4-KIT	4 Data Outlets
E3CPD6-KIT	6 Data Outlets



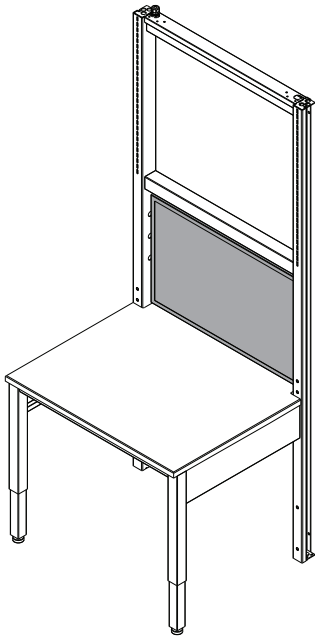
## Modesty Panel



- Steel modesty panel, color to match uprights color

Cat. No.	For use with:
E3MP61A-2342	42" wide uprights
E3MP61A-2348	48" wide uprights
E3MP61A-2360	60" wide uprights
E3MP61A-2372	72" wide uprights
E3MP61A-2384	84" wide uprights
E3MP61A-2396	96" wide uprights

## Tack/Marker Board



- Tack/Marker board is one sided
- Can not be used with plumbing fixtures
- Only can be used with Envision 3.0 and 4.0

Cat. No.		For use with:
Tack Board	Marker Board	
E3LP61C-2042	E3LP61M-2042	42" wide uprights
E3LP61C-2048	E3LP61M-2048	48" wide uprights
E3LP61C-2060	E3LP61M-2060	60" wide uprights
E3LP61C-2072	E3LP61M-2072	72" wide uprights
E3LP61C-2084	E3LP61M-2084	84" wide uprights
E3LP61C-2096	E3LP61M-2096	96" wide uprights

# Envision Accessories

## Keyboard Tray

Cat. No.	Type
KBTMP	Keyboard Tray with Mouse Pad

## Monitor Arm

Cat. No.	Type
ENV-MA	Monitor Arm

## CPU Holder

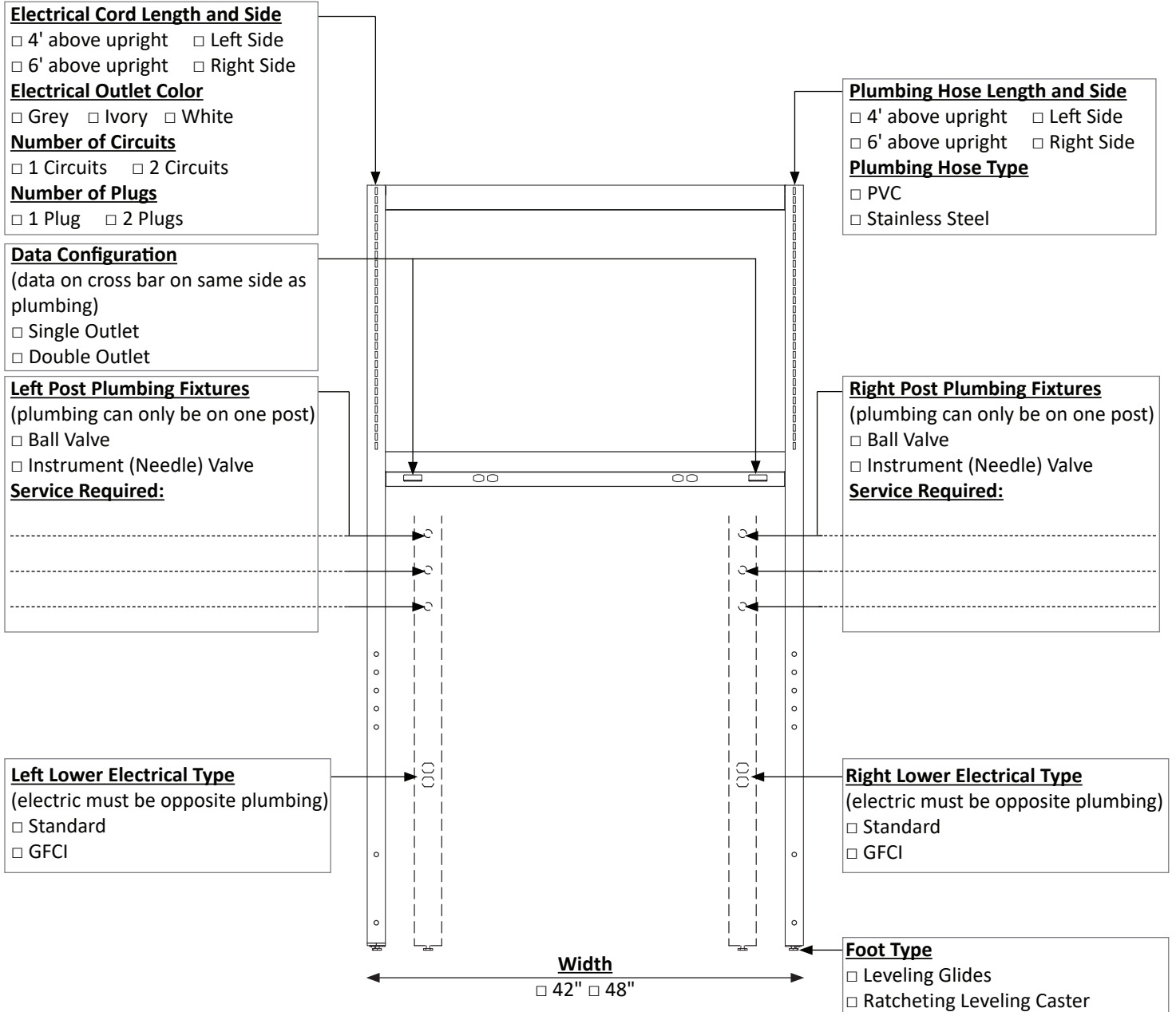
Cat. No.	Type
ENV-CPUH	CPU Holder

# Envision Upright Configurator

## Envision 3.0/4.0 - 3" Core - Single Sided

### Upright Style

- Envision 3.0
- Envision 4.0



# Envision Upright Configurator

## Envision 3.0/4.0 - 3" Core - Single Sided

### Upright Style

- Envision 3.0
- Envision 4.0

#### Electrical Cord Length and Side

- 4' above upright  Left Side
- 6' above upright  Right Side

#### Electrical Outlet Color

- Grey  Ivory  White

#### Number of Circuits

- 1 Circuits  2 Circuits  4 Circuits

#### Number of Plugs

- 1 Plug  2 Plugs

#### Data Configuration

(data on cross bar on same side as plumbing)

- Single Outlet
- Double Outlet

#### Left Post Plumbing Fixtures

(plumbing can only be on one post)

- Ball Valve
- Instrument (Needle) Valve

#### Service Required:

----->

----->

----->

#### Left Lower Electrical Type

(electric must be opposite plumbing)

- Standard
- GFCI

#### Plumbing Hose Length and Side

- 4' above upright  Left Side
- 6' above upright  Right Side

#### Plumbing Hose Type

- PVC
- Stainless Steel

#### Right Post Plumbing Fixtures

(plumbing can only be on one post)

- Ball Valve
- Instrument (Needle) Valve

#### Service Required:

----->

----->

----->

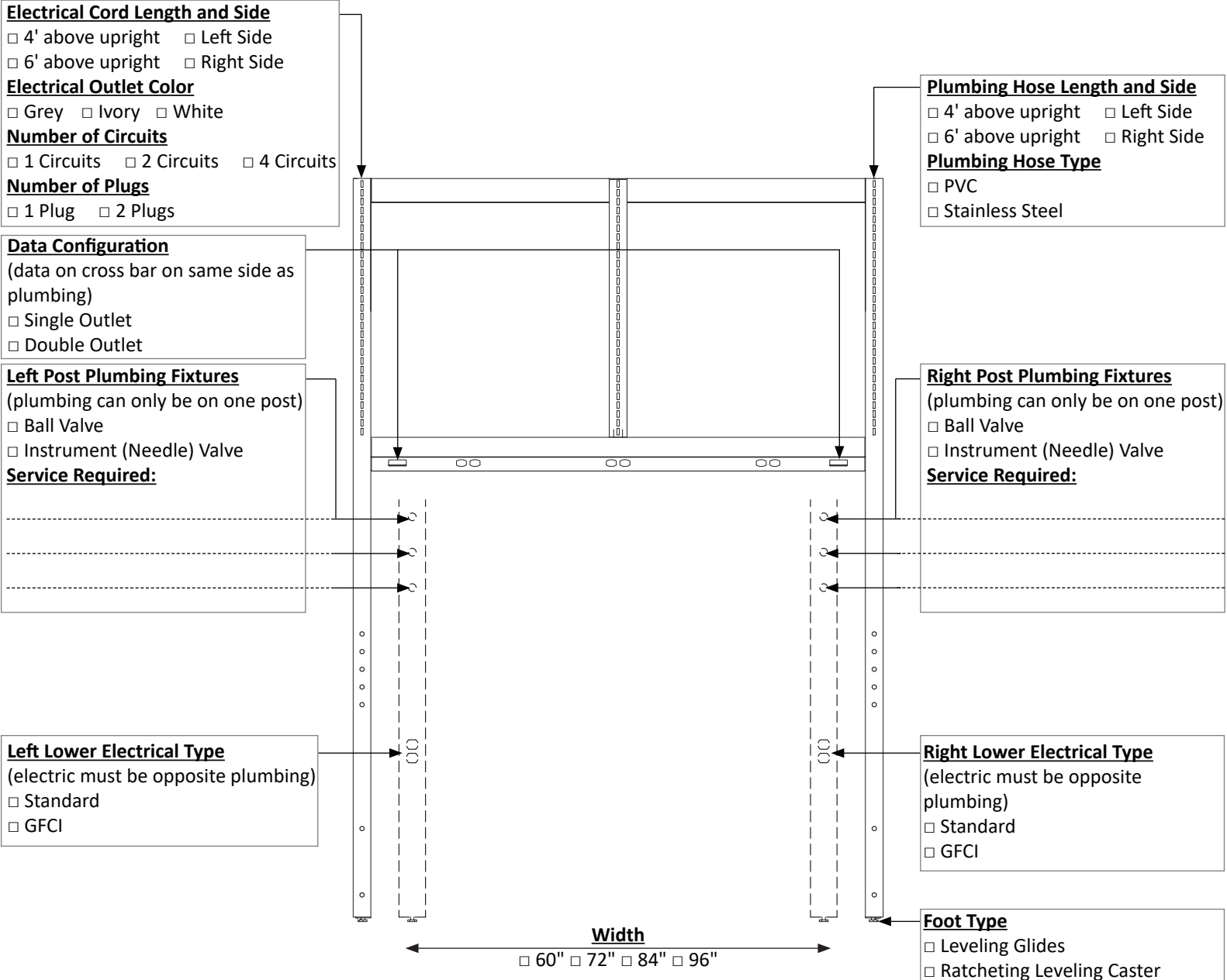
#### Right Lower Electrical Type

(electric must be opposite plumbing)

- Standard
- GFCI

#### Foot Type

- Leveling Glides
- Ratcheting Leveling Caster



# Envision Upright Configurator

## Envision 3.0/4.0 - 6" Core - Double Sided

### Upright Style

- Envision 3.0
- Envision 4.0

#### Electrical Cord Length and Side

- 4' above upright  Left Side
- 6' above upright  Right Side

#### Electrical Outlet Color

- Grey  Ivory  White

#### Number of Circuits

- 1 Circuits  2 Circuits  4 Circuits

#### Number of Plugs

- 1 Plug  2 Plugs

#### Data Configuration

(data on cross bar on same side as plumbing)

- Single Outlet
- Double Outlet

#### Plumbing Hose Length and Side

- 4' above upright  Left Side
- 6' above upright  Right Side

#### Plumbing Hose Type

- PVC
- Stainless Steel

#### Post Plumbing Fixtures

(plumbing can only be on one post)

- Ball Valve
- Instrument (Needle) Valve

#### Service Required:

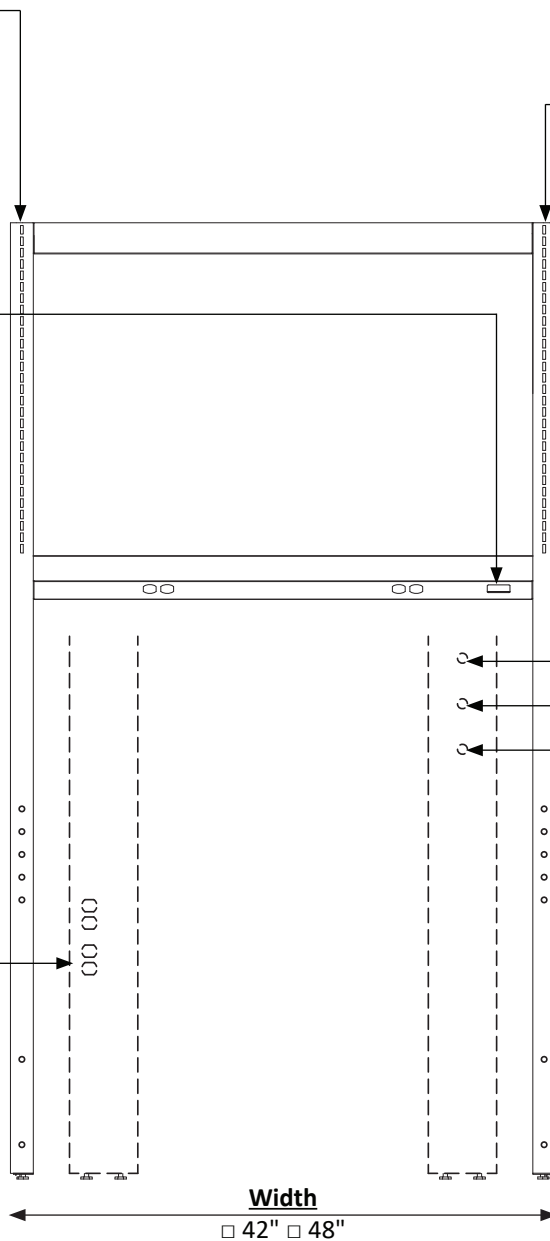
#### Lower Electrical Type

(electric must be opposite plumbing)

- Standard
- GFCI

#### Foot Type

- Leveling Glides
- Ratcheting Leveling Caster



**Note:** 6" uprights are ambidextrous. Plumbing is only on one side.

# Envision Upright Configurator

## Envision 3.0/4.0 - 6" Core - Double Sided

### Upright Style

- Envision 3.0
- Envision 4.0

#### Electrical Cord Length and Side

- 4' above upright  Left Side
- 6' above upright  Right Side

#### Electrical Outlet Color

- Grey  Ivory  White

#### Number of Circuits

- 1 Circuits  2 Circuits  4 Circuits

#### Number of Plugs

- 1 Plug  2 Plugs

#### Data Configuration

(data on cross bar on same side as plumbing)

- Single Outlet
- Double Outlet

#### Plumbing Hose Length and Side

- 4' above upright  Left Side
- 6' above upright  Right Side

#### Plumbing Hose Type

- PVC
- Stainless Steel

#### Post Plumbing Fixtures

(plumbing can only be on one post)

- Ball Valve
- Instrument (Needle) Valve

#### Service Required:

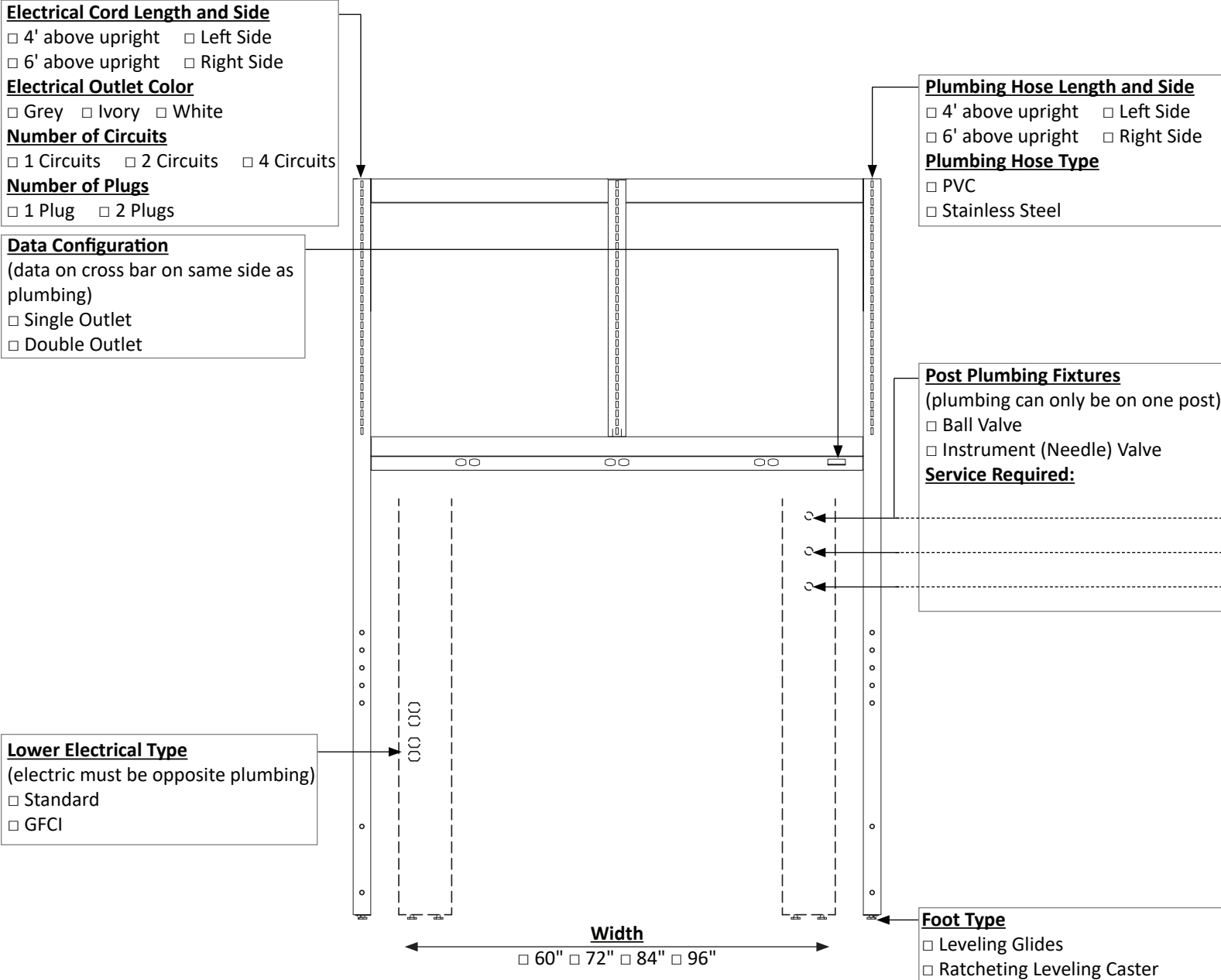
#### Lower Electrical Type

(electric must be opposite plumbing)

- Standard
- GFCI

#### Foot Type

- Leveling Glides
- Ratcheting Leveling Caster



**Note:** 6" uprights are ambidextrous. Plumbing is only on one side.

# Envision Upright Configurator

## Envision 3.5/4.5 - 6" Core - Double Sided

### Upright Style

- Envision 3.5
- Envision 4.5

**Electrical Cord Length and Side**

- 4' above upright  Left Side
- 6' above upright  Right Side

**Electrical Outlet Color**

- Grey  Ivory  White

**Number of Circuits**

- 2 Circuits  3 Circuits  4 Circuits

**Number of Plugs**

- 1 Plug  2 Plugs

**Plumbing Hose Length and Side**

- 4' above upright  Left Side
- 6' above upright  Right Side

**Plumbing Hose Type**

- PVC
- Stainless Steel

**Post Plumbing Fixtures**  
(plumbing can only be on one post)

- Ball Valve
- Instrument (Needle) Valve

**Service Required:**

**Data Configuration**  
(data on upright on opposite side as plumbing)

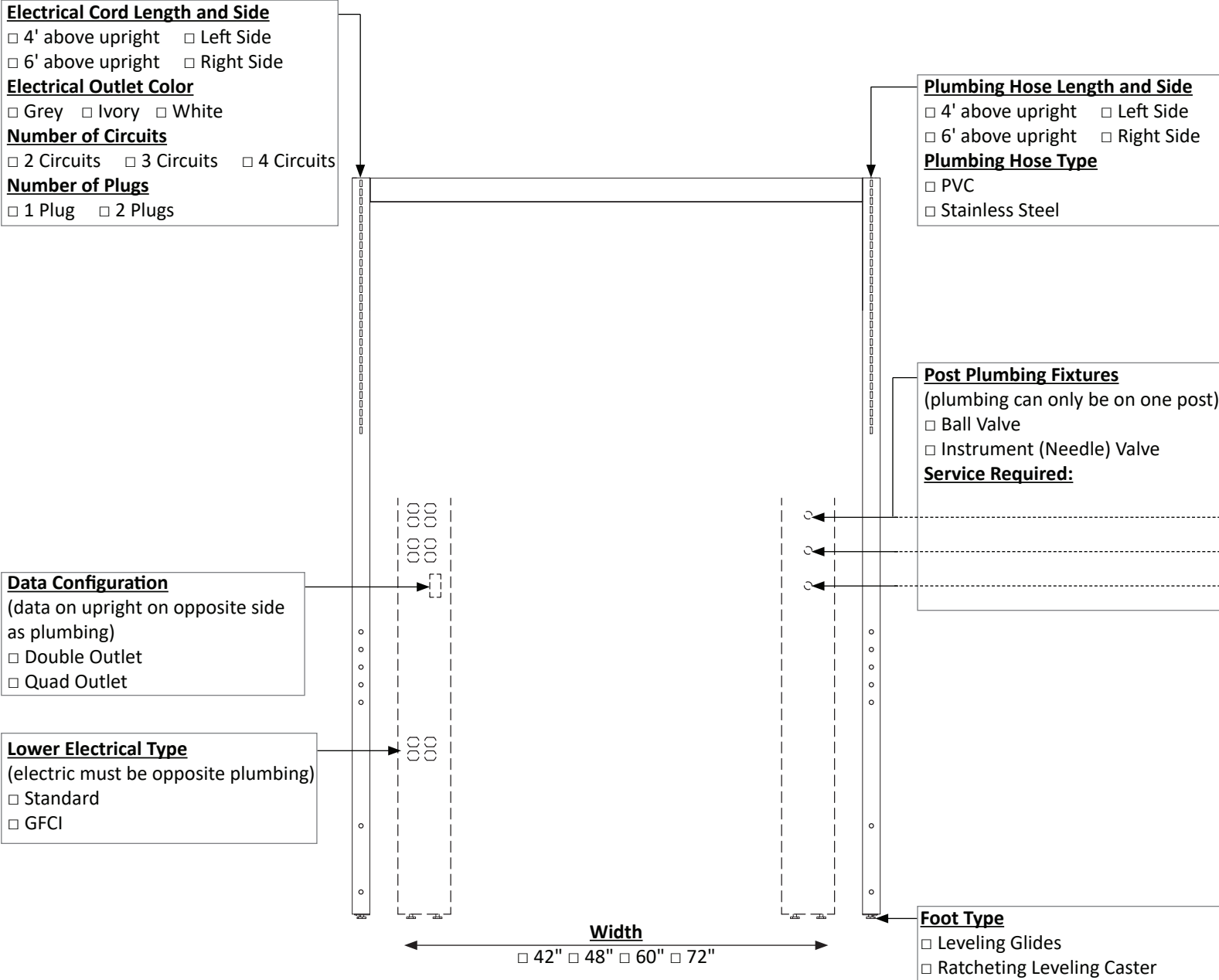
- Double Outlet
- Quad Outlet

**Lower Electrical Type**  
(electric must be opposite plumbing)

- Standard
- GFCI

**Foot Type**

- Leveling Glides
- Ratcheting Leveling Caster



**Note:** 6" uprights are ambidextrous. Plumbing is only on one side.



**SAI SYSTEMS**

*Scientifically Advanced Interiors*

Toll Free: (866) 527-2970

[sales@saisns.com](mailto:sales@saisns.com)

[www.saisns.com](http://www.saisns.com)

BURNABY

TORONTO

HALIFAX