

## Adaptable Casework- Flexcore



# FlexCore Mobile Cart

Shelf Brackets  
(PSB18L-A &  
PSB18R-A)

Shelf  
(PS6018-A)

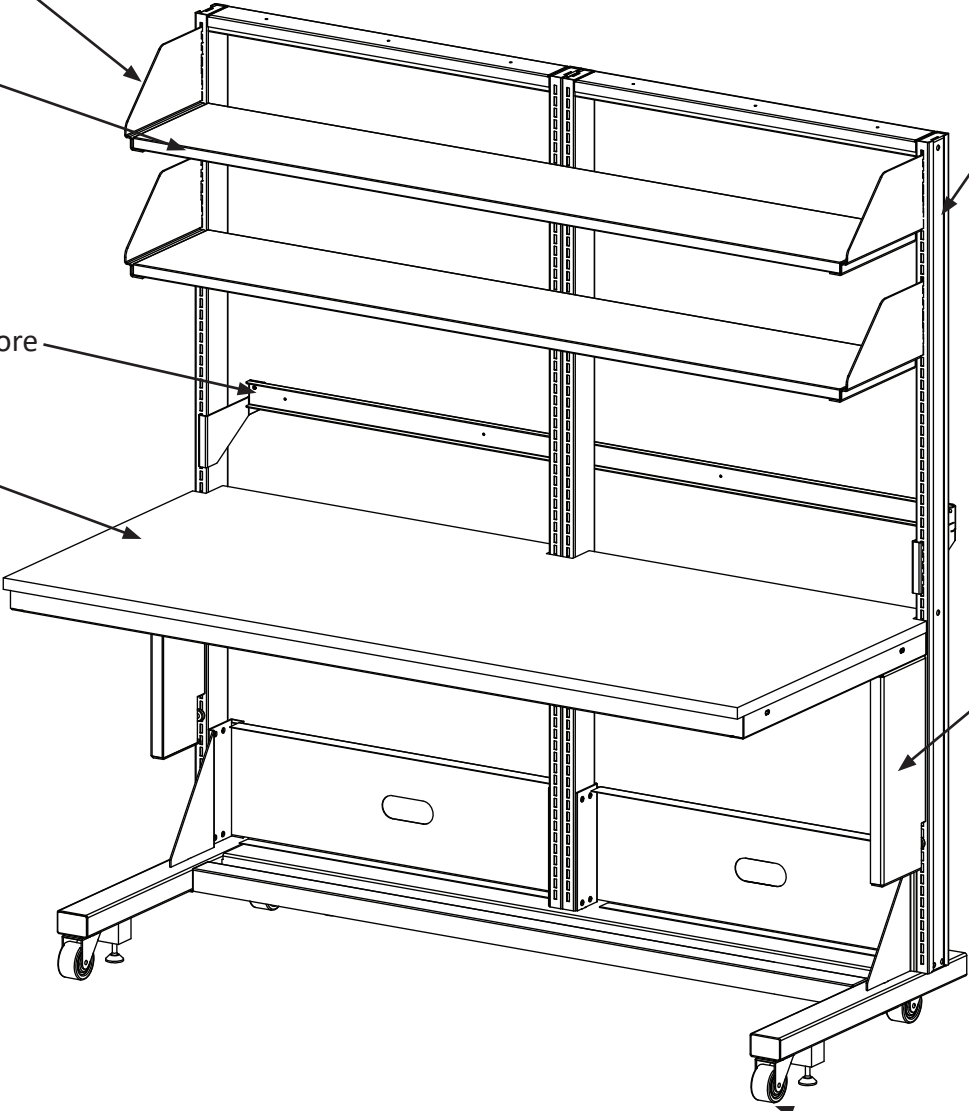
Plug Bar for FlexCore  
Mobile Cart  
(PAT-EM5)

FlexCore Mobile  
Cart Work Surface

FlexCore  
Mobile Cart  
(PMC6078-HD)

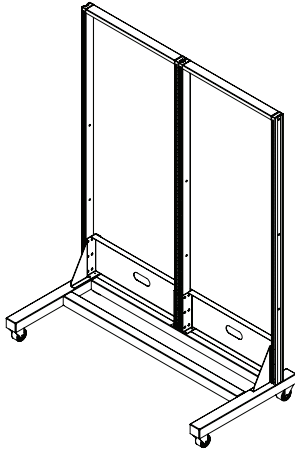
Cantilever Frame  
(PCF6027)

Shown with Standard  
Casters and Levelers



# FlexCore Mobile Cart

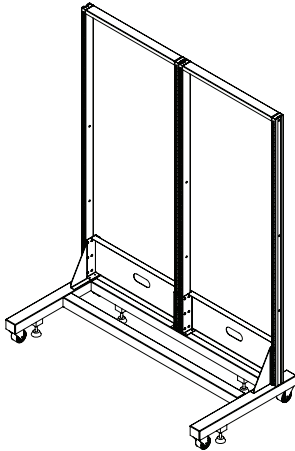
## FlexCore Mobile Cart - Standard Casters



- Replace "P" with and "S" for Stainless Steel
- Note: Carts over 48" wide have a center vertical post
- Weight Capacity up to 900 lbs.

Cat. No.		Width
36" Tall	78" Tall	
PMC2436	PMC2478	24"
PMC3036	PMC3078	30"
PMC3636	PMC3678	36"
PMC4236	PMC4278	42"
PMC4836	PMC4878	48"
PMC5436	PMC5478	54"
PMC6036	PMC6078	60"
PMC6636	PMC6678	66"
PMC7236	PMC7278	72"

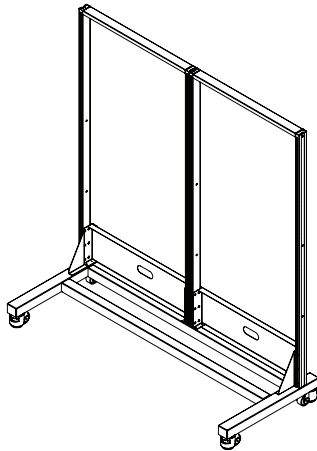
## FlexCore Mobile Cart - Standard Casters and Levelers



- Replace "P" with and "S" for Stainless Steel
- Note: Carts over 48" wide have a center vertical post

Cat. No.		Width
36" Tall	78" Tall	
PMC2436-HD	PMC2478-HD	24"
PMC3036-HD	PMC3078-HD	30"
PMC3636-HD	PMC3678-HD	36"
PMC4236-HD	PMC4278-HD	42"
PMC4836-HD	PMC4878-HD	48"
PMC5436-HD	PMC5478-HD	54"
PMC6036-HD	PMC6078-HD	60"
PMC6636-HD	PMC6678-HD	66"
PMC7236-HD	PMC7278-HD	72"

## FlexCore Mobile Cart - Leveling Casters

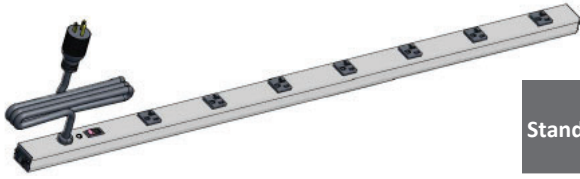


- Replace "P" with and "S" for Stainless Steel
- Note: Carts over 48" wide have a center vertical post

Cat. No.		Width
36" Tall	78" Tall	
PMC2436-HDZ	PMC2478-HDZ	24"
PMC3036-HDZ	PMC3078-HDZ	30"
PMC3636-HDZ	PMC3678-HDZ	36"
PMC4236-HDZ	PMC4278-HDZ	42"
PMC4836-HDZ	PMC4878-HDZ	48"
PMC5436-HDZ	PMC5478-HDZ	54"
PMC6036-HDZ	PMC6078-HDZ	60"
PMC6636-HDZ	PMC6678-HDZ	66"
PMC7236-HDZ	PMC7278-HDZ	72"

# FlexCore Mobile Cart

## Plug Bar for FlexCore Mobile Cart



- Plug Mold for FlexCore Mobile Cart includes brackets and metal bar for plug bar to attach to FlexCore Mobile Cart
- 6' cord

Cat. No.		For use with:	Actual Outlet Strip Length	Number of Outlets
Standard 20 amp Plug	Twist-to-Lock 20 amp Plug			
PAT-EM4	PAT-EM4TL	48" wide Table	42"	7
PAT-EM5	PAT-EM5TL	60" wide Table	48"	8
PAT-EM6	PAT-EM6TL	72" wide Table	60"	10
PAT-EM7	PAT-EM7TL	84" with Table	70"	10
PAT-EM8	PAT-EM8TL	96" wide Table	70"	10

## Front Support Bracket



- Front Support Bracket for Cantilever Frame
- Part Number includes (2) Brackets

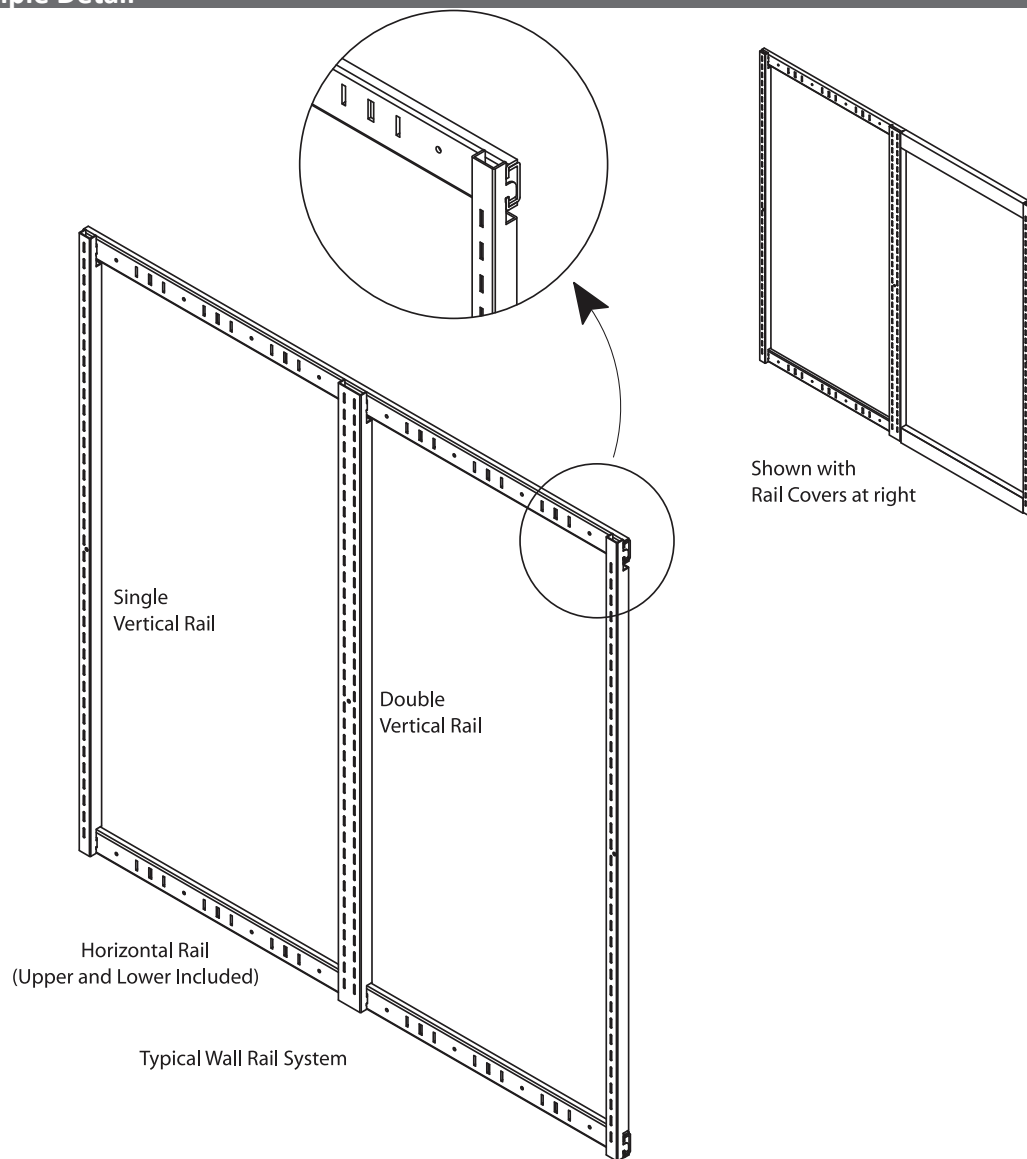
Cat. No.	Type
PCSBA	(2) Front Support Bracket

# FlexCore Wall Rail Details

The FlexCore Wall Rails provide a modular system capable of supporting a variety of equipment. While primarily intended to support shelving, wall cabinets and cantilever frames may also be used in conjunction with the Wall Rail system. The vertical rails can be located anywhere along the horizontal rails in 6" increments. The weight capacity of the FlexCore Wall Rail system is limited to 720 lbs\*.

\* use this weight limit as a guideline for supplied materials. Overall performance will be affected by wall construction, substrate, screw type and live loads. DOES NOT APPLY TO VERTICAL RAILS WITH NO HOOKS.

## Wall Rail Example Detail



# FlexCore Vertical Wall Rail Detail

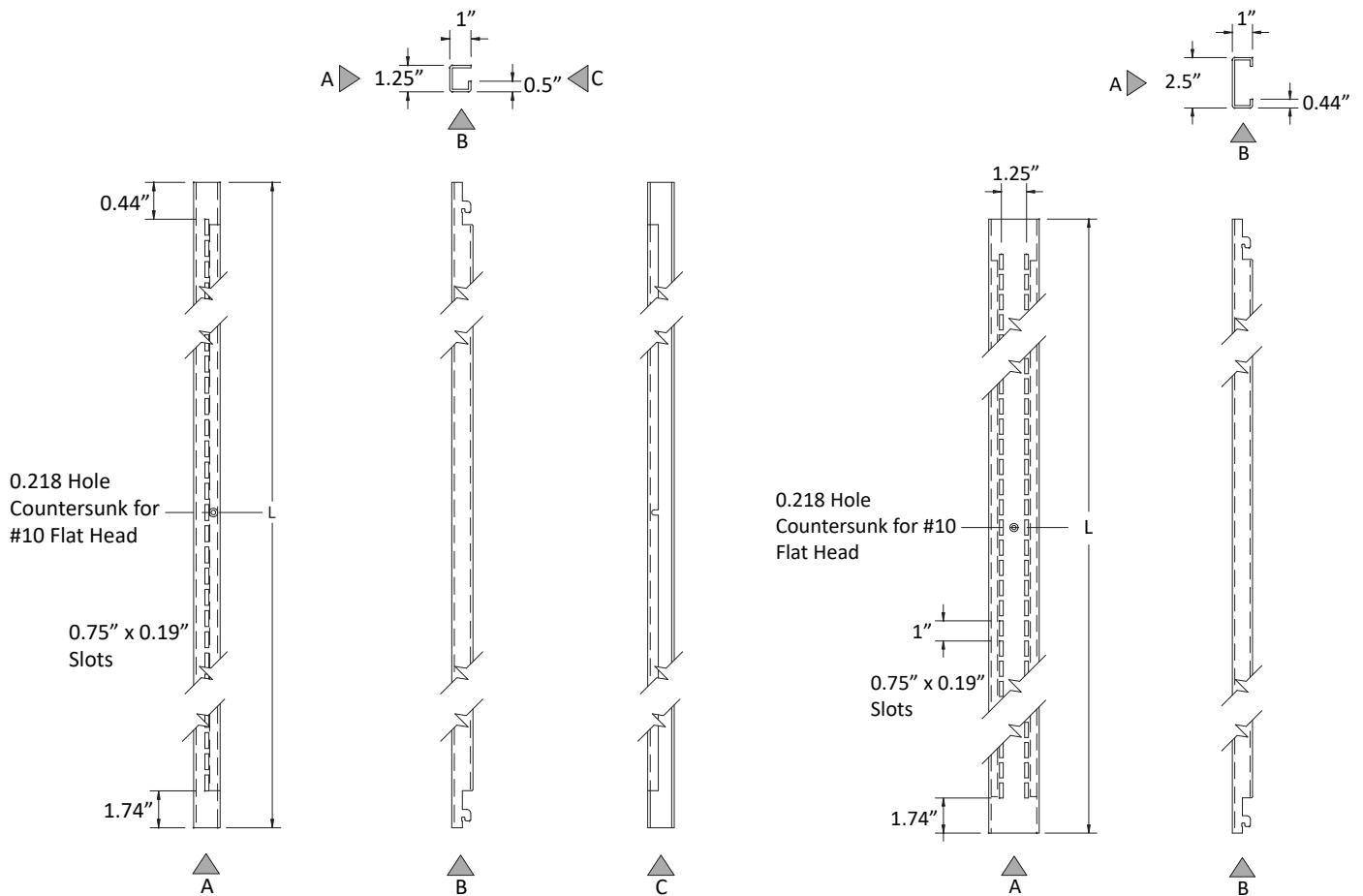
Installer Notes: Secure the top horizontal rail and hang the vertical rail from it. Use the vertical rail as a quick gauge for locating the lower horizontal rail. The center screw on the vertical rails may be omitted if frequent shelf reconfiguration is anticipated. In high load or traffic areas where the shelf configuration is relatively fixed, a #10 flat-head screw is recommended, length and type are determined by wall material and construction.\*

Note: Two single vertical rails side by side are dimensionally identical to one double vertical rail.

\*Due to a wide variance in wall strapping materials, screws are NOT supplied. Consult the specifications or the Construction Manager for required type of screw for your project.

## Single Vertical Rail Detail

## Double Vertical Rail Detail



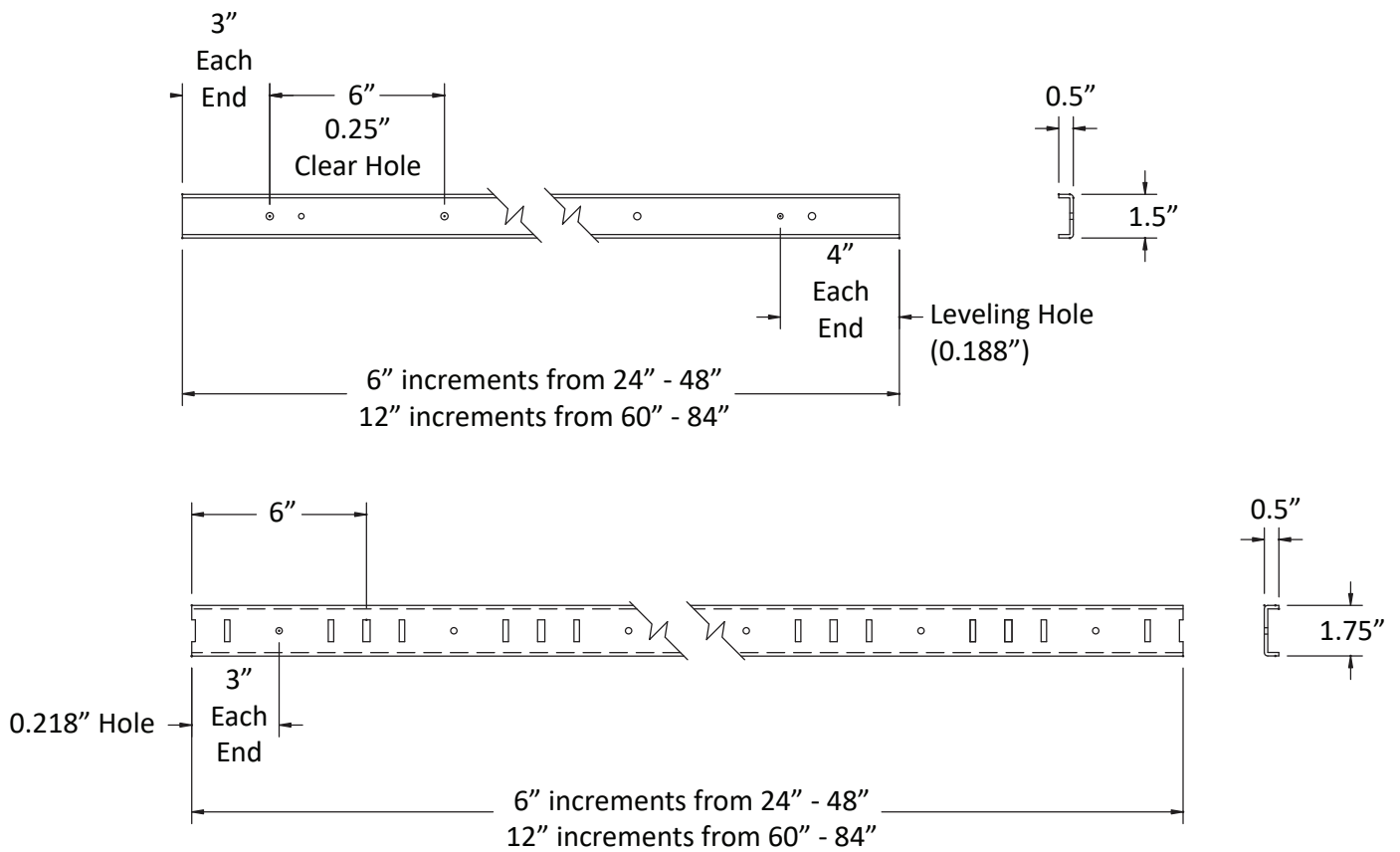
# FlexCore Horizontal Wall Rail Detail

Installer Notes: Secure the wall member to the wall using one #8 drive screw through one leveling hole, level the member and secure the opposite end using a second #8 drive screw. Place the horizontal standard over the wall member and secure to strapping using #10 screws, passing through both the standard and the wall member. When curring Horizontal Standards to a particular length, cut through the center of one of the wide slots, this allows it to be used as "standard".

Note: the notch at the end of the standard is 1/2 of a wide slot, so two 24" standards work exactly like one 48" standard.

Due to a wide variance in wall and strapping materials, screws are NOT supplied. Consult the specifications or the Construction Manager for required type of screw for your project.

## Horizontal Wall Rail Detail



# FlexCore Wall Rails

## Single Vertical Rails



- Single vertical wall rails are sold individually
- Replace "P" with a "S" for Stainless Steel
- If "No Hooks" is selected, additional hole is included in the standard
- No Hook options is designed for surface mounted

Cat. No.		Length
With Hooks	No Hooks	
PVRS24	PVRS24-NH	24"
PVRS30	PVRS30-NH	30"
PVRS36	PVRS36-NH	36"
PVRS42	PVRS42-NH	42"
PVRS48	PVRS48-NH	48"
PVRS72	PVRS72-NH	72"
PVRS84	PVRS84-NH	84"

## Double Vertical Rails

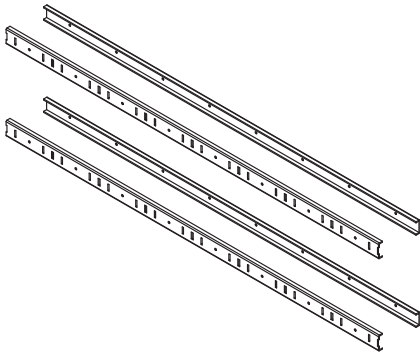


- Double vertical wall rails are sold individually
- Replace "P" with a "S" for Stainless Steel
- If "No Hooks" is selected, additional hole is included in the standard
- No Hook options is designed for surface mounted

Cat. No.		Length
With Hooks	No Hooks	
PVRD24	PVRD24-NH	24"
PVRD30	PVRD30-NH	30"
PVRD36	PVRD36-NH	36"
PVRD42	PVRD42-NH	42"
PVRD48	PVRD48-NH	48"
PVRD72	PVRD72-NH	72"
PVRD84	PVRD84-NH	84"



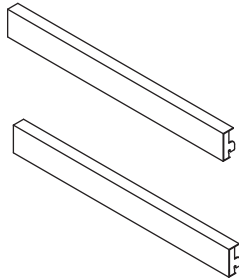
## Horizontal Rails



- Horizontal Rails are sold in pairs (upper rail and lower rail)
- Replace "P" with a "S" for Stainless Steel

Cat. No.	Length
PHR24	24"
PHR30	30"
PHR36	36"
PHR42	42"
PHR48	48"
PHR54	54"
PHR60	60"
PHR66	66"
PHR72	72"
PHR84	84"

## Horizontal Rail Covers



- Horizontal Rail Covers are sold in pairs
- Replace "P" with a "S" for Stainless Steel

Cat. No.	Length
PRC24	24"
PRC30	30"
PRC36	36"
PRC42	42"
PRC48	48"
PRC54	54"
PRC60	60"
PRC66	66"
PRC72	72"
PRC84	84"

# FlexCore Frame Assembly

## FlexCore Laboratory Solutions

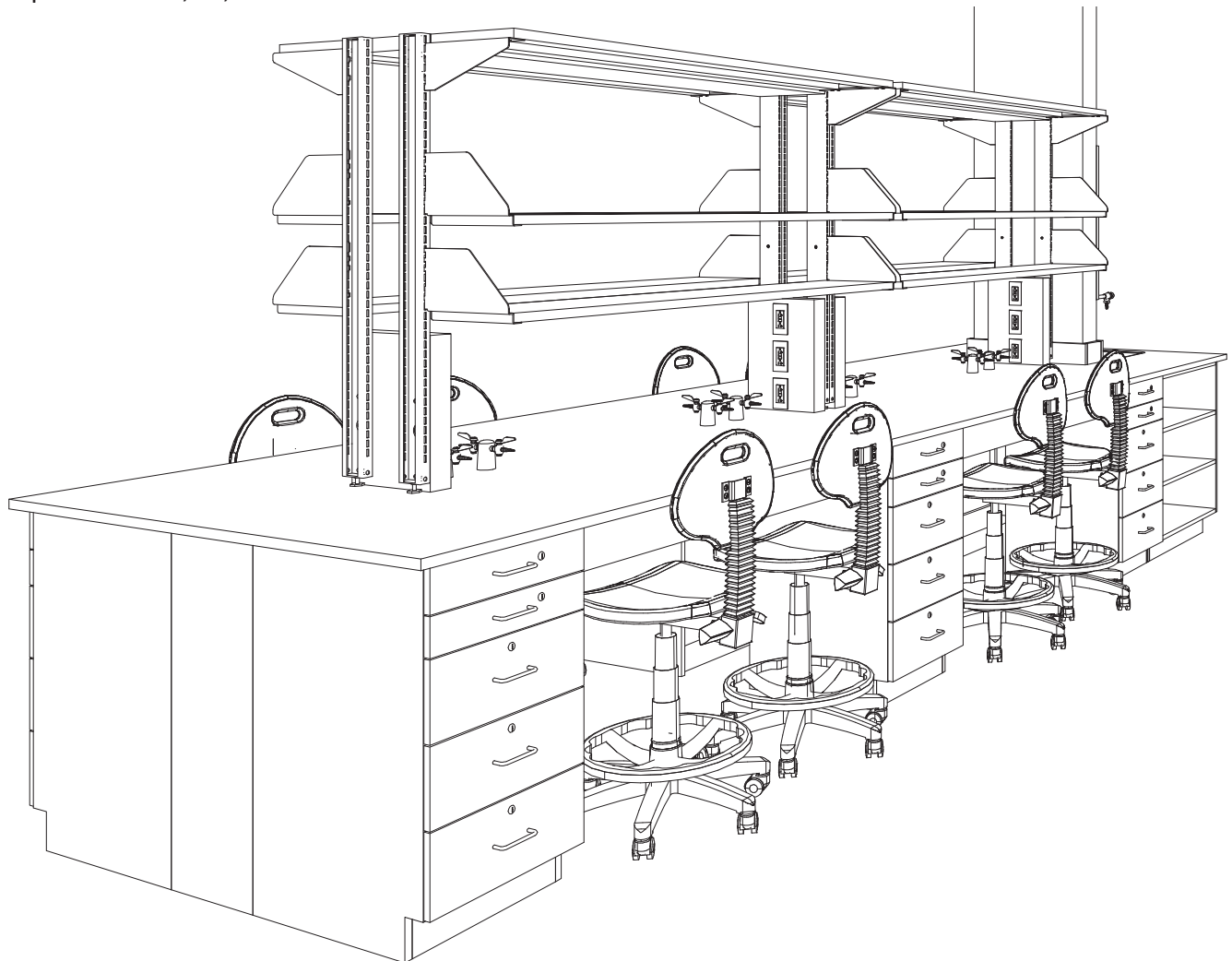
In business since 1943, ICI is a recognized leader in the laboratory furniture industry; and now, our FlexCore adaptable furniture system allows almost limitless possibilities. From traditional modular casework, to docking mobile instrument carts, FlexCore can provide a unique working environment tailored to individual needs. With durable, rugged construction designed specifically for today's industrial, research and university laboratories - and, at an affordable price point - FlexCore is an exciting alternative. Perhaps more importantly, FlexCore is designed to easily connect to almost all competitor units, at a more affordable price.

FlexCore instrument carts can be assembled from a wide array of components to create mobile benches, bookcases, computer support or docking desk environments. Services can be easily managed through simple access panels, while not interrupting operations.

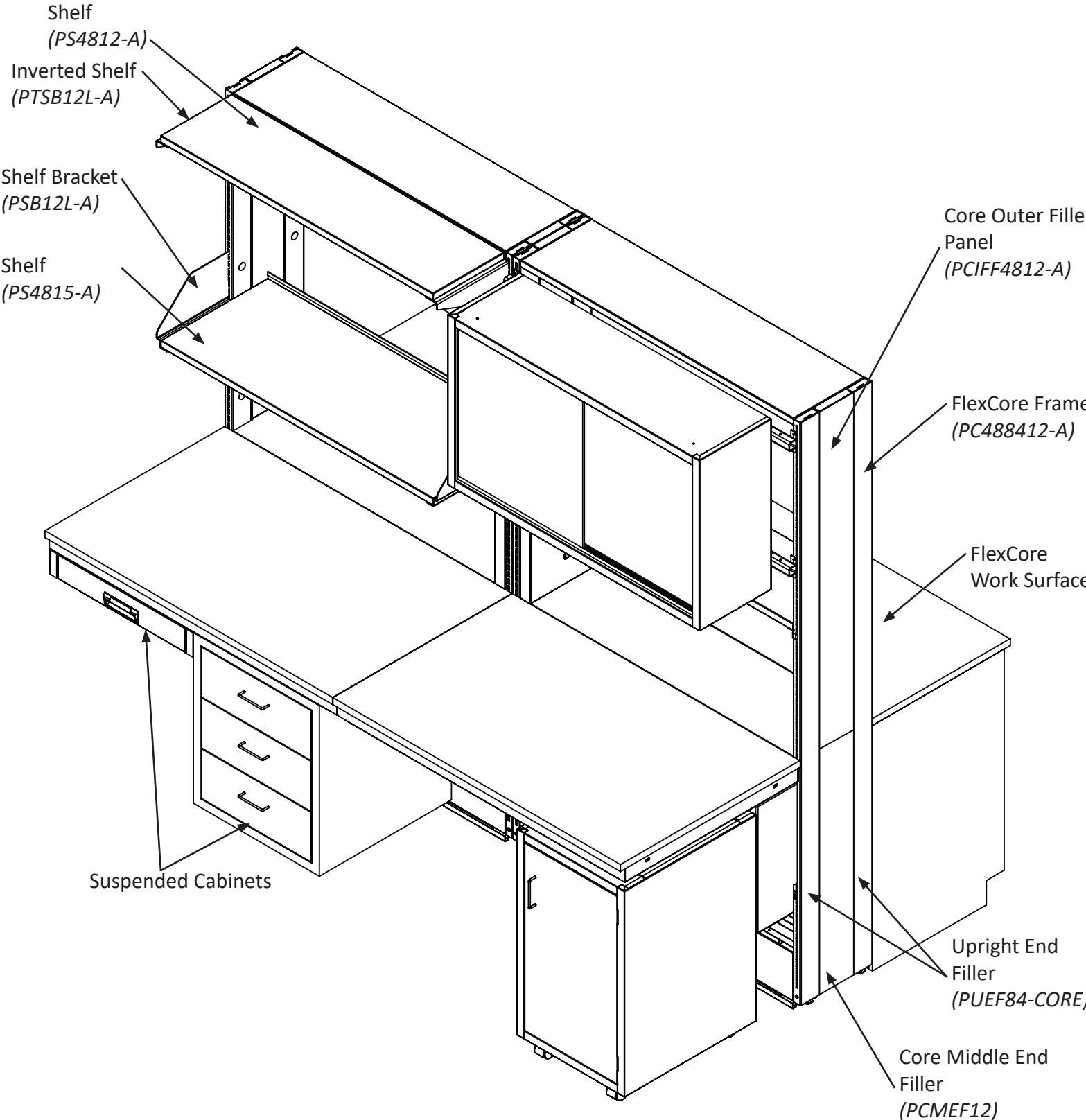
FlexCore is a spine and core based system, utilizing the benefits of true service management while allowing virtually unlimited choices for personal layouts. The ICI solution is really a flex-light approach, making the ability to reconfigure the laboratory affordable.

### Features include:

- 14 gauge dual channel uprights
- Integral cable chase-ways
- Sized from 24"- 72" in 6" increments
- Easily removed covers
- Inner and outer shelving
- Depths in 3.25", 6", 8.75" and 12"
- Built-in pipe supports
- Static service panel allows desk height accessibility for both electrical and data
- Knock-down design reduces costly freight & eases job site handling
- Made in the USA

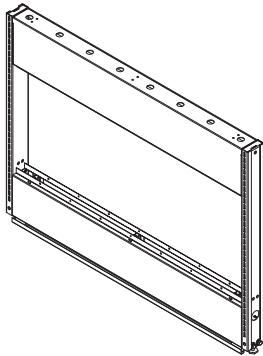


# FlexCore Frame Assembly



# FlexCore Frame

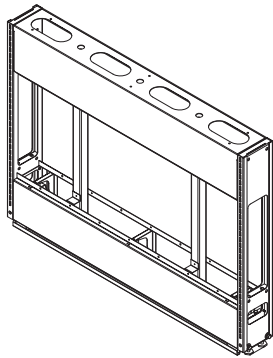
## 36" Tall FlexCore Frame - 3.25" Deep



- 36" tall x 3.25" deep frame
- Replace "P" with a "S" for Stainless Steel

Cat. No.	Width
PC2436325-A	24"
PC3036325-A	30"
PC3636325-A	36"
PC4236325-A	42"
PC4836325-A	48"
PC5436325-A	54"
PC6036325-A	60"
PC6636325-A	66"
PC7236325-A	72"

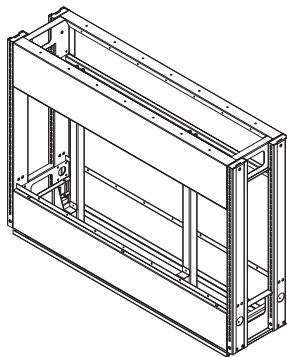
## 36" Tall FlexCore Frame - 6" Deep



- 36" tall x 6" deep frame
- Replace "P" with a "S" for Stainless Steel

Cat. No.	Width
PC243606-A	24"
PC303606-A	30"
PC363606-A	36"
PC423606-A	42"
PC483606-A	48"
PC543606-A	54"
PC603606-A	60"
PC663606-A	66"
PC723606-A	72"

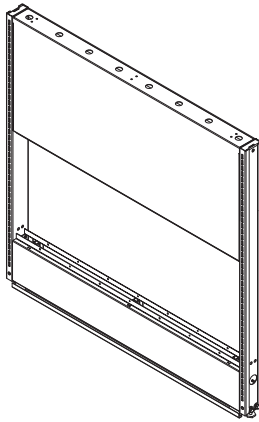
## 36" Tall FlexCore Frame - 12" Deep



- 36" tall x 12" deep frame
- Replace "P" with a "S" for Stainless Steel

Cat. No.	Width
PC243612-A	24"
PC303612-A	30"
PC363612-A	36"
PC423612-A	42"
PC483612-A	48"
PC543612-A	54"
PC603612-A	60"
PC663612-A	66"
PC723612-A	72"

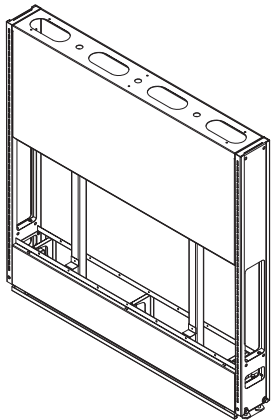
## 48" Tall FlexCore Frame - 3.25" Deep



- 48" tall x 3.25" deep frame
- Replace "P" with a "S" for Stainless Steel

Cat. No.	Width
PC2448325-A	24"
PC3048325-A	30"
PC3648325-A	36"
PC4248325-A	42"
PC4848325-A	48"
PC5448325-A	54"
PC6048325-A	60"
PC6648325-A	66"
PC7248325-A	72"

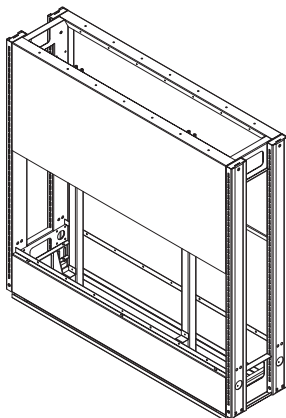
## 48" Tall FlexCore Frame - 6" Deep



- 48" tall x 6" deep frame
- Replace "P" with a "S" for Stainless Steel

Cat. No.	Width
PC244806-A	24"
PC304806-A	30"
PC364806-A	36"
PC424806-A	42"
PC484806-A	48"
PC544806-A	54"
PC604806-A	60"
PC664806-A	66"
PC724806-A	72"

## 48" Tall FlexCore Frame - 12" Deep

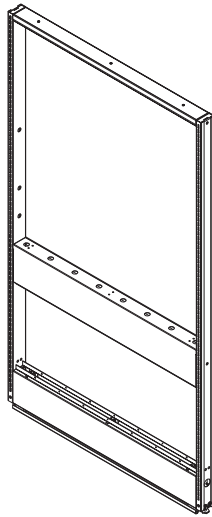


- 48" tall x 12" deep frame
- Replace "P" with a "S" for Stainless Steel

Cat. No.	Width
PC244812-A	24"
PC304812-A	30"
PC364812-A	36"
PC424812-A	42"
PC484812-A	48"
PC544812-A	54"
PC604812-A	60"
PC664812-A	66"
PC724812-A	72"

# FlexCore Frame

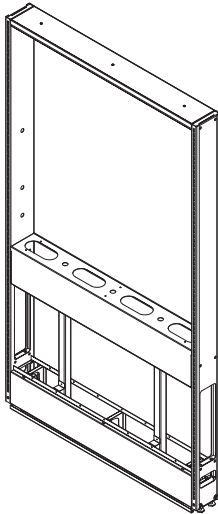
## 84" Tall FlexCore Frame - 3.25" Deep - 36" Tall Ledge Support



- 84" tall x 3.25" deep frame
- Ledge support set at 36" high
- Replace "P" with a "S" for Stainless Steel

Cat. No.	Width
PC2484325-A	24"
PC3084325-A	30"
PC3684325-A	36"
PC4284325-A	42"
PC4884325-A	48"
PC5484325-A	54"
PC6084325-A	60"
PC6684325-A	66"
PC7284325-A	72"

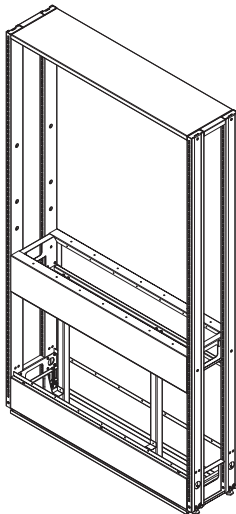
## 84" Tall FlexCore Frame - 6" Deep - 36" Tall Ledge Support



- 84" tall x 6" deep frame
- Ledge support set at 36" high
- Replace "P" with a "S" for Stainless Steel
- Maximum load rating of 2,820 lbs., evenly balanced on both sides

Cat. No.	Width
PC248406-A	24"
PC308406-A	30"
PC368406-A	36"
PC428406-A	42"
PC488406-A	48"
PC548406-A	54"
PC608406-A	60"
PC668406-A	66"
PC728406-A	72"

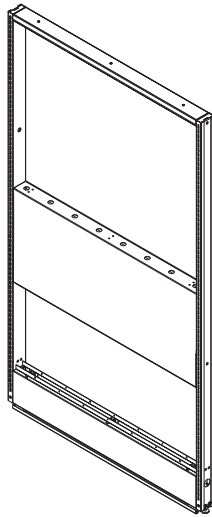
## 84" Tall FlexCore Frame - 12" Deep - 36" Tall Ledge Support



- 84" tall x 12" deep frame
- Ledge support set at 36" high
- Replace "P" with a "S" for Stainless Steel
- Maximum load rating of 2,820 lbs., evenly balanced on both sides

Cat. No.	Width
PC248412-A	24"
PC308412-A	30"
PC368412-A	36"
PC428412-A	42"
PC488412-A	48"
PC548412-A	54"
PC608412-A	60"
PC668412-A	66"
PC728412-A	72"

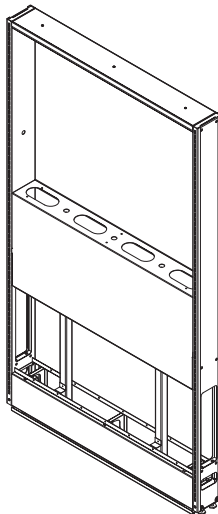
## 84" Tall FlexCore Frame - 3.25" Deep - 48" Tall Ledge Support



- 84" tall x 3.25" deep frame
- Ledge support set at 48" high
- Replace "P" with a "S" for Stainless Steel

Cat. No.	Width
PC248448325-A	24"
PC308448325-A	30"
PC368448325-A	36"
PC428448325-A	42"
PC488448325-A	48"
PC548448325-A	54"
PC608448325-A	60"
PC668448325-A	66"
PC728448325-A	72"

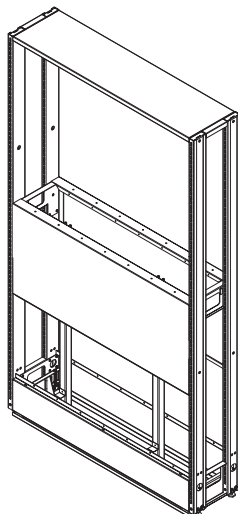
## 84" Tall FlexCore Frame - 6" Deep - 48" Tall Ledge Support



- 84" tall x 6" deep frame
- Ledge support set at 48" high
- Replace "P" with a "S" for Stainless Steel
- Maximum load rating of 2,820 lbs., evenly balanced on both sides

Cat. No.	Width
PC24844806-A	24"
PC30844806-A	30"
PC36844806-A	36"
PC42844806-A	42"
PC48844806-A	48"
PC54844806-A	54"
PC60844806-A	60"
PC66844806-A	66"
PC72844806-A	72"

## 84" Tall FlexCore Frame - 12" Deep - 48" Tall Ledge Support

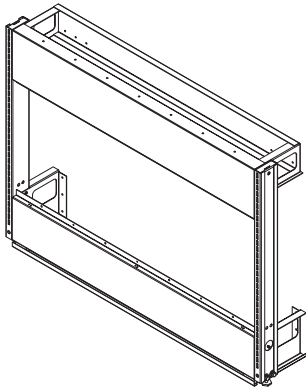


- 84" tall x 12" deep frame
- Ledge support set at 48" high
- Replace "P" with a "S" for Stainless Steel
- Maximum load rating of 2,820 lbs., evenly balanced on both sides

Cat. No.	Width
PC24844812-A	24"
PC30844812-A	30"
PC36844812-A	36"
PC42844812-A	42"
PC48844812-A	48"
PC54844812-A	54"
PC60844812-A	60"
PC66844812-A	66"
PC72844812-A	72"

# FlexCore Frame

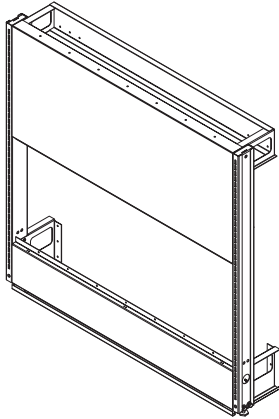
## 36" Tall Wall FlexCore Frame - 8.75" Deep



- 36" tall x 8.75" deep wall frame
- Replace "P" with a "S" for Stainless Steel

Cat. No.	Width
PWC2436875-A	24"
PWC3036875-A	30"
PWC3636875-A	36"
PWC4236875-A	42"
PWC4836875-A	48"
PWC5436875-A	54"
PWC6036875-A	60"
PWC6636875-A	66"
PWC7236875-A	72"

## 48" Tall Wall FlexCore Frame - 8.75" Deep

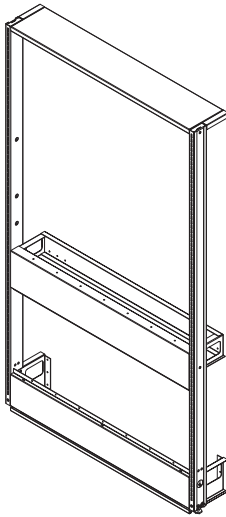


- 48" tall x 8.75" deep wall frame
- Replace "P" with a "S" for Stainless Steel

Cat. No.	Width
PWC2448875-A	24"
PWC3048875-A	30"
PWC3648875-A	36"
PWC4248875-A	42"
PWC4848875-A	48"
PWC5448875-A	54"
PWC6048875-A	60"
PWC6648875-A	66"
PWC7248875-A	72"



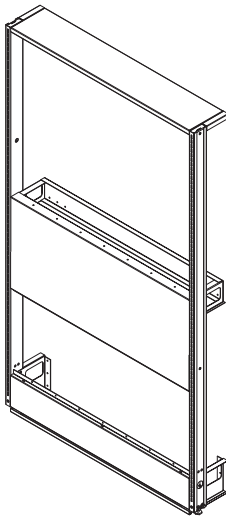
## 84" Tall Wall FlexCore Frame - 8.75" Deep - 36" Tall Ledge Support



- 84" tall x 8.75" deep wall frame
- Replace "P" with and "S" for Stainless Steel
- Maximum load rating of 1,680 lbs.

Cat. No.	Width
PWC2484875-A	24"
PWC3084875-A	30"
PWC3684875-A	36"
PWC4284875-A	42"
PWC4884875-A	48"
PWC5484875-A	54"
PWC6084875-A	60"
PWC6684875-A	66"
PWC7284875-A	72"

## 84" Tall Wall FlexCore Frame - 8.75" Deep - 48" Tall Ledge Support

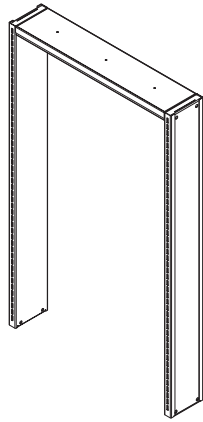


- 84" tall x 8.75" deep wall frame
- Replace "P" with and "S" for Stainless Steel
- Maximum load rating of 1,680 lbs.

Cat. No.	Width
PWC248448875-A	24"
PWC308448875-A	30"
PWC368448875-A	36"
PWC428448875-A	42"
PWC488448875-A	48"
PWC548448875-A	54"
PWC608448875-A	60"
PWC668448875-A	66"
PWC728448875-A	72"

# FlexCore Frame

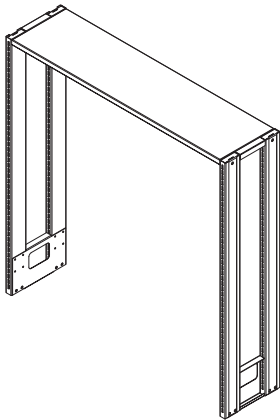
## 48" Tall Bench Top FlexCore Frame - 6" Deep



- 48" tall x 6" deep bench top frame
- Replace "P" with a "S" for Stainless Steel
- Maximum load rating of 900 lbs., evenly balanced on both sides

Cat. No.	Width
PCB244806-A	24"
PCB304806-A	30"
PCB364806-A	36"
PCB424806-A	42"
PCB484806-A	48"
PCB544806-A	54"
PCB604806-A	60"
PCB664806-A	66"
PCB724806-A	72"

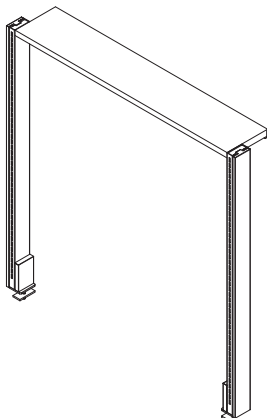
## 48" Tall Bench Top FlexCore Frame - 12" Deep



- 48" tall x 12" deep bench top frame
- Replace "P" with a "S" for Stainless Steel
- Maximum load rating of 1,080 lbs., evenly balanced on both sides

Cat. No.	Width
PCB244812-A	24"
PCB304812-A	30"
PCB364812-A	36"
PCB424812-A	42"
PCB484812-A	48"
PCB544812-A	54"
PCB604812-A	60"
PCB664812-A	66"
PCB724812-A	72"

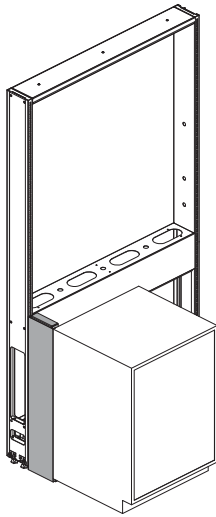
## 48" Tall Bench Top Wall FlexCore Frame - 8.75" Deep



- 48" tall x 8.75" deep bench top frame
- Replace "P" with a "S" for Stainless Steel

Cat. No.	Width
PCB2448875-A	24"
PCB3048875-A	30"
PCB3648875-A	36"
PCB4248875-A	42"
PCB4848875-A	48"
PCB5448875-A	54"
PCB6048875-A	60"
PCB6648875-A	66"
PCB7248875-A	72"

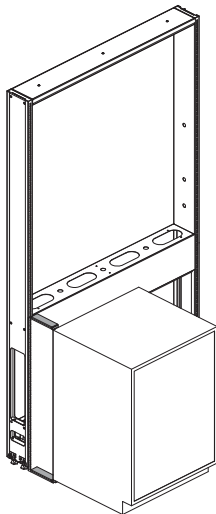
## Cabinet to Core Connector with Filler



- Connects a base cabinet to the FlexCore Core Frame
- Replace "P" with a "S" for Stainless Steel

Cat. No.	Counter Top Depth	Side
PCCC24L	24"	Left
PCCC24R	24"	Right
PCCC30L	30"	Left
PCCC30R	30"	Right

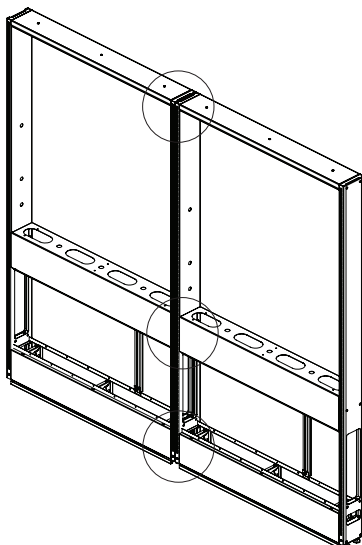
## Cabinet to Core Connector



- Connects a base cabinet to the FlexCore Core Frame
- Replace "P" with a "S" for Stainless Steel

Cat. No.	Counter Top Depth	Side
PCCC24NFL	24"	Left
PCCC24NFR	24"	Right
PCCC30NFL	30"	Left
PCCC30NFR	30"	Right

## Core Connector Hardware

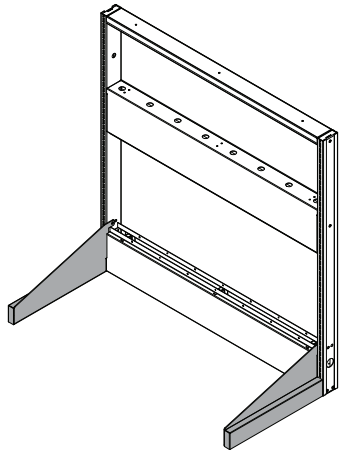


- Kit Includes (3 points of connection):
  - (4) Nuts, 3/8-16
  - (4) Washers, Lock 3/8"
  - (2) HHCS, 3/8-16 x 3 1/2", grade 5
  - (2) HHCS, 3/8-18 x 4", grade 5

Cat. No.	Depth
PLCH0325-Kit B	3.25" or 8.75" Wall Core
PLCH06-Kit B	6"
PLCH012-Kit B	12"

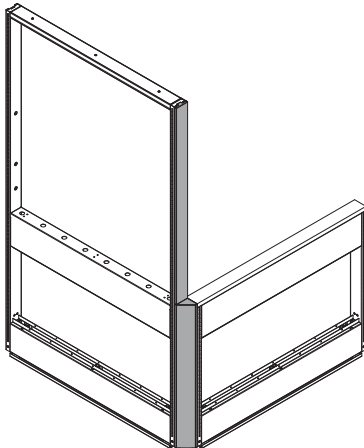
# FlexCore Connectors

## Outrigger Leg Assemblies



Cat. No.	Depth
PLA20L	20"
PLA20R	20"

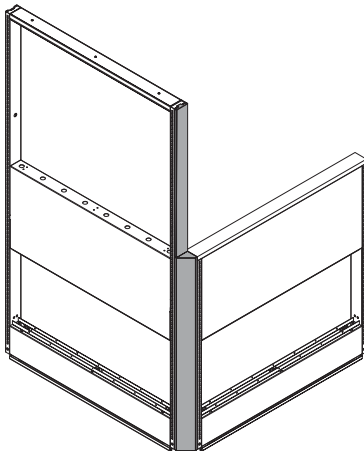
## "L" Connector - 36" Tall - 1/2 Height



- "L" connector for (1) 84" tall core and (1) 36" tall core
- Replace "P" with a "S" for Stainless Steel

Cat. No.	Core Depth
PFHSHLC0325	3.25"
PFHSHLC06	6"

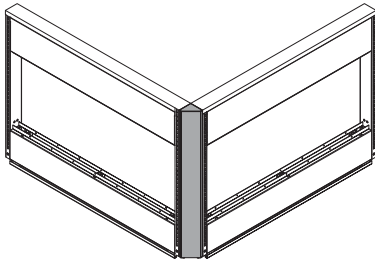
## "L" Connector - 48" Tall - 1/2 Height



- "L" connector for (1) 84" tall core and (1) 48" tall core
- Replace "P" with a "S" for Stainless Steel

Cat. No.	Core Depth
PFHSHLC480325	3.25"
PFHSHLC4806	6"

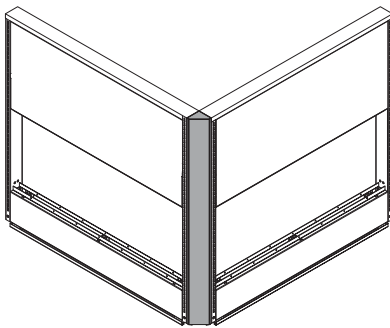
## "L" Connector - 36" Tall - Full Height



- "L" connector for (2) 36" tall core
- Replace "P" with a "S" for Stainless Steel

Cat. No.	Core Depth
PSHSHLC0325	3.25"
PSHSHLC06	6"

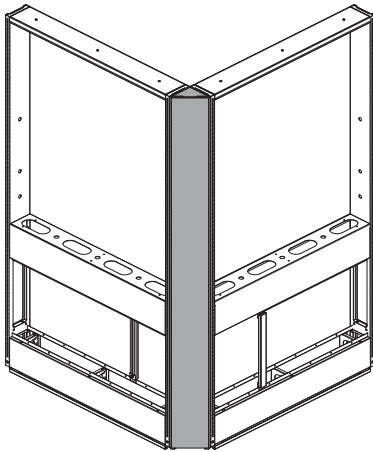
## "L" Connector - 48" Tall - Full Height



- "L" connector for (2) 48" tall core
- Replace "P" with a "S" for Stainless Steel

Cat. No.	Core Depth
PSHSHLC480325	3.25"
PSHSHLC4806	6"

## "L" Connector - 84" Tall - Full Height

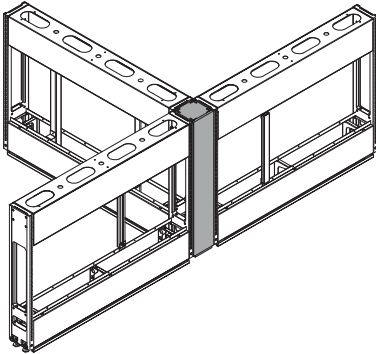


- "L" connector for (2) 84" tall cores
- Replace "P" with a "S" for Stainless Steel

Cat. No.	Core Depth
PFHFHLC0325	3.25"
PFHFHLC06	6"

# FlexCore Connectors

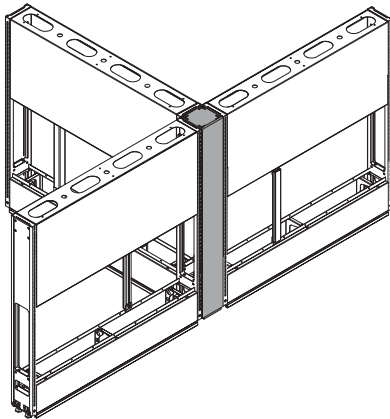
## "T" or "X" Connector - 36" Tall - Full Height



- "T" x "X" connector for (2) 36" tall core
- Replace "P" with a "S" for Stainless Steel

Cat. No.	Core Depth
PSHSHTC0325	3.25"
PSHSHTC06	6"

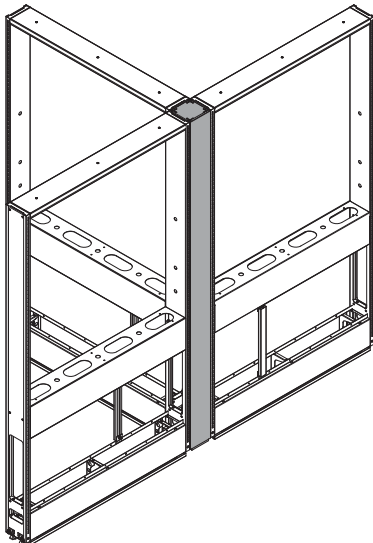
## "T" or "X" Connector - 48" Tall - Full Height



- "T" x "X" connector for (2) 48" tall core
- Replace "P" with a "S" for Stainless Steel

Cat. No.	Core Depth
PSHSHTC480325	3.25"
PSHSHTC4806	6"

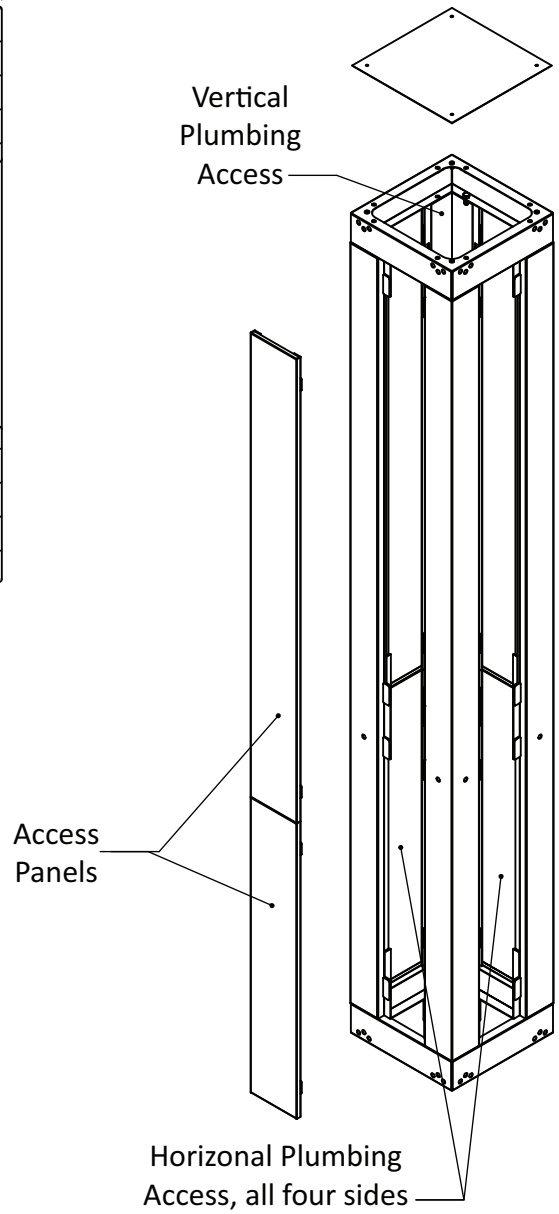
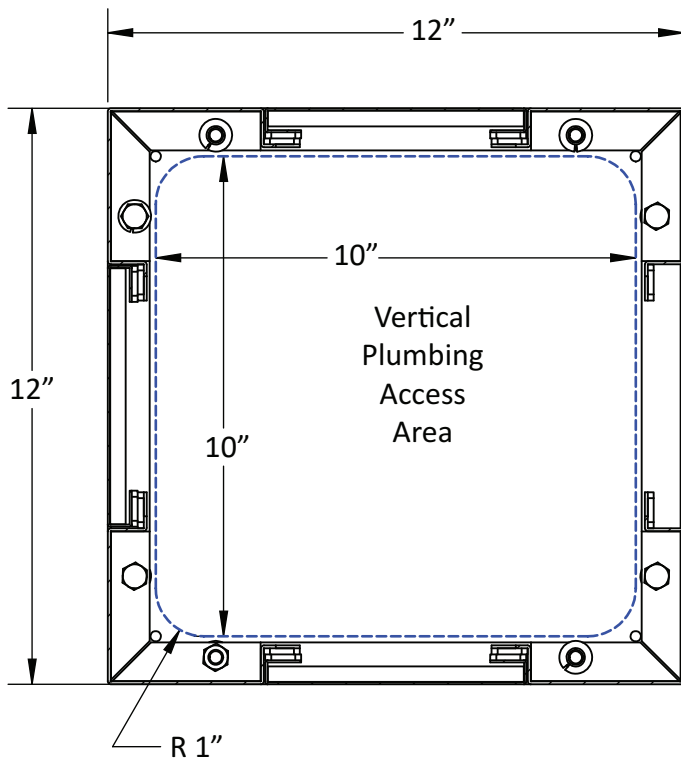
## "T" or "X" Connector



- "T" or "X" connector for (2) 84" tall cores
- Replace "P" with a "S" for Stainless Steel

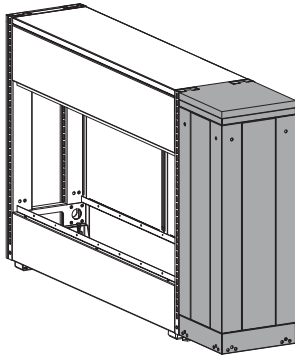
Cat. No.	Core Depth
PFHFHTC0325	3.25"
PFHFHTC06	6"

## Corner Column Detail



# FlexCore Connectors

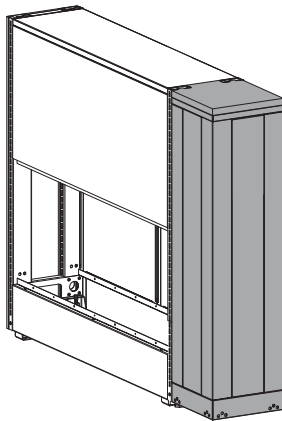
## Corner Column - 36" Tall



- Corner Column is to be used with 12" Core
- Can be use for "T" or "X" configuration
- Replace "P" with and "S" for Stainless Steel

Cat. No.	Core Depth
PSHCC12	12"

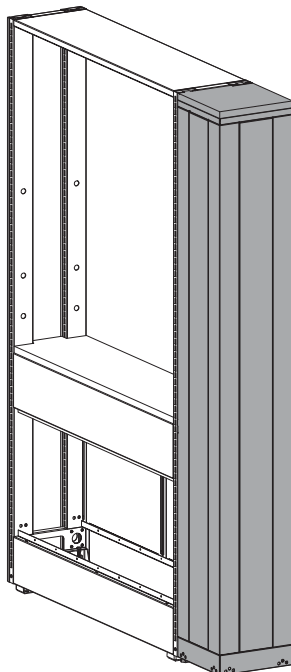
## Corner Column - 48" Tall



- Corner Column is to be used with 12" Core
- Can be use for "T" or "X" configuration
- Replace "P" with and "S" for Stainless Steel

Cat. No.	Core Depth
PSHCC4812	12"

## Corner Column - 84" Tall

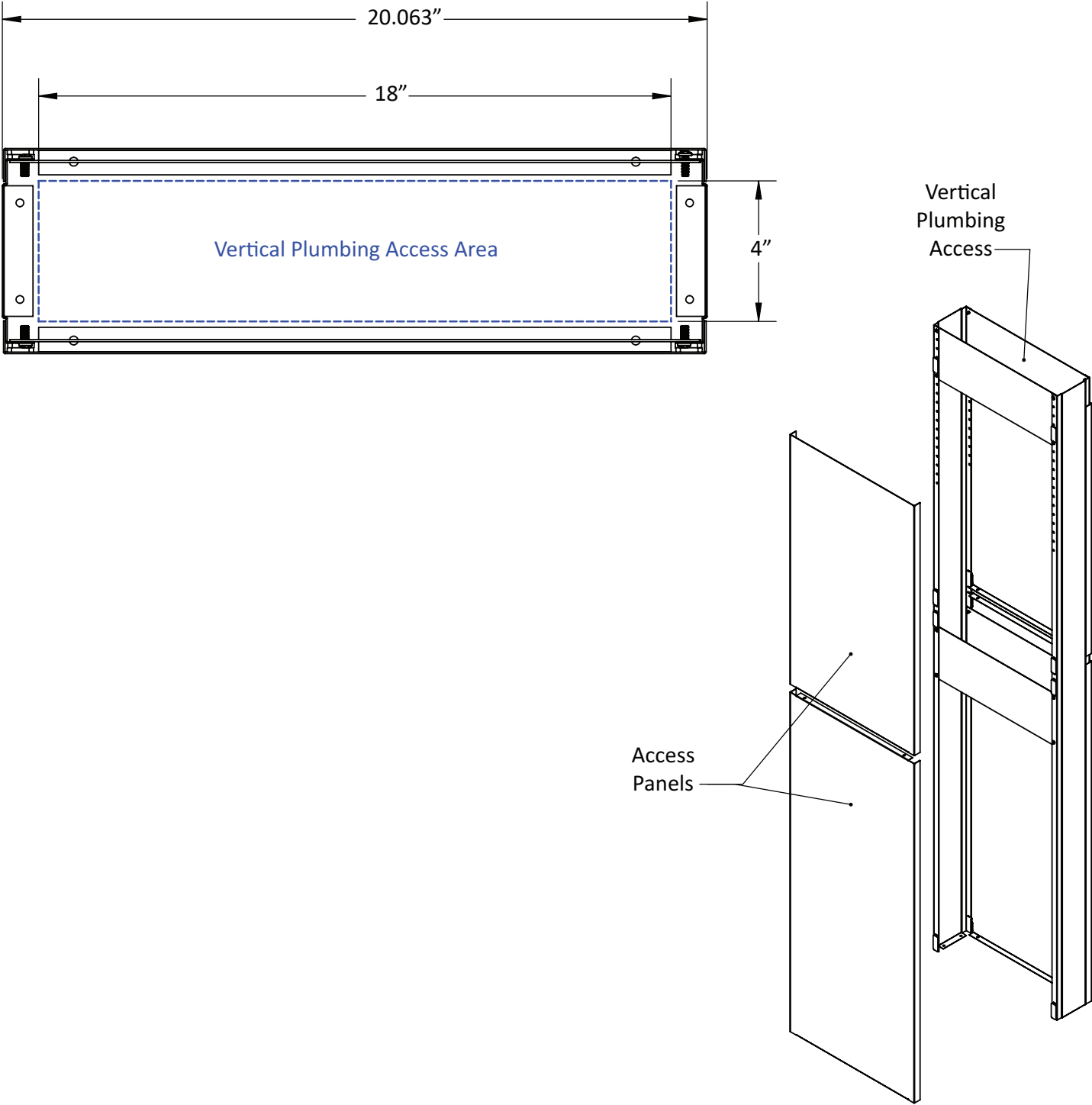


- Corner Column is to be used with 12" Core
- Can be use for "T" or "X" configuration
- Replace "P" with and "S" for Stainless Steel

Cat. No.	Core Depth
PFHCC12	12"

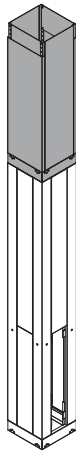


Service Column Detail



# FlexCore Connectors

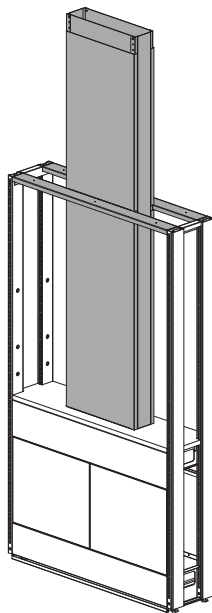
## Corner Column Ceiling Extension



- Corner Column Ceiling Extension to be used with a 12" x 12" Corner Column
- Replace "P" with and "S" for Stainless Steel

Cat. No.	Dimensions
PCE12	12" x 12"

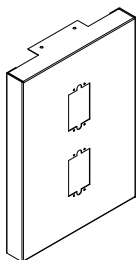
## Service Column for 12" Core



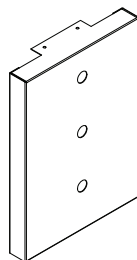
- Replace "P" with and "S" for Stainless Steel
- Includes pipe chase and top rail

Cat. No.	Width
PSC24	24"
PSC30	30"
PSC36	36"
PSC42	42"
PSC48	48"
PSC54	54"
PSC60	60"
PSC66	66"
PSC72	72"

## Core Inner Filler Panel - Elec/Plumb



PCIF12-E

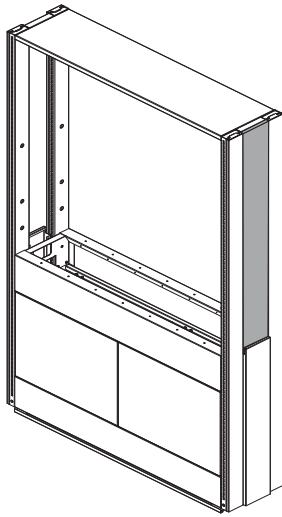


PCIF12-P

- Elec/Plumb Core Inner Filler Panel is 16.5" tall
- Replace "P" with a "S" for Stainless Steel

Cat. No.	Type	Depth
PCIF06-E	Electrical	6"
PCIF12-E	Electrical	12"
PCIF06-P	Plumbing	6"
PCIF12-P	Plumbing	12"

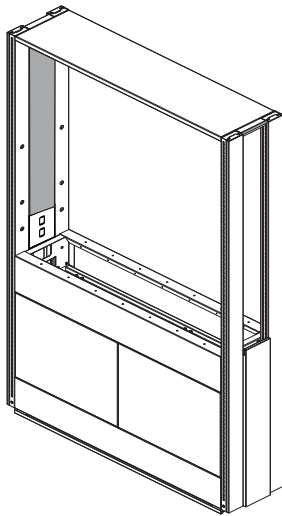
## Core Outer Filler Panel



- Replace "P" with a "S" for Stainless Steel

Cat. No.	Height	Depth of Core
PCIFF4812-A	48.5"	12"
PCIFF3612-A	36.5"	12"

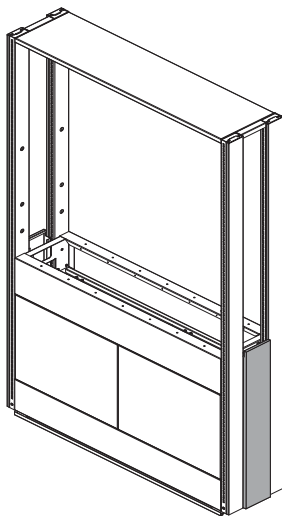
## Core Middle End Filler - with Elec/Plumb



- Replace "P" with a "S" for Stainless Steel

Cat. No.	Height	Depth of Core
PCIFF3206-A	32"	12"
PCIFF2006-A	20"	12"

## Core Middle End Filler

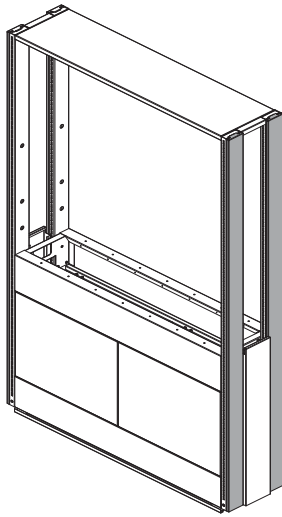


- Replace "P" with and "S" for Stainless Steel

Cat. No.	Height of Core	Depth of Core
PCMEF12	84"	12"
PCMEF3612	36"	12"
PCMEF4812	48"	12"

# FlexCore Fillers

## Upright End Filler

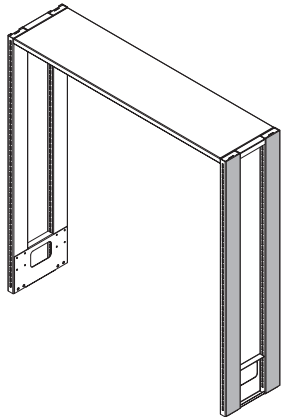


(2) Upper End Fillers shown on a 12" deep core

- Replace "P" with and "S" for Stainless Steel
- Fillers sold individually
- 3.25" and 6" deep cores require (1) filler per side
- 12" deep cores require (2) 3.25" deep fillers per side

Cat. No.	Height	Depth
PUEF36-Core	36"	3.25"
PUEF3606-Core	36"	6"
PUEF48-Core	48"	3.25"
PUEF4806-Core	48"	6"
PUEF84-Core	84"	3.25"
PUEF8406-Core	84"	6"

## Bench Top Core Filler

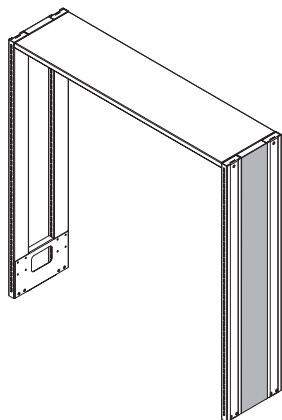


(2) Bench Top Core Fillers shown on a 12" deep core

- Replace "P" with and "S" for Stainless Steel
- Fillers sold individually
- 6" and 8.75" deep cores require (1) filler per side
- 12" deep cores require (2) 3.25" deep fillers per side

Cat. No.	Height	Depth
PBEF48-CORE	48"	3.25"
PBEF4806-CORE	48"	6"

## Bench Top Core Filler

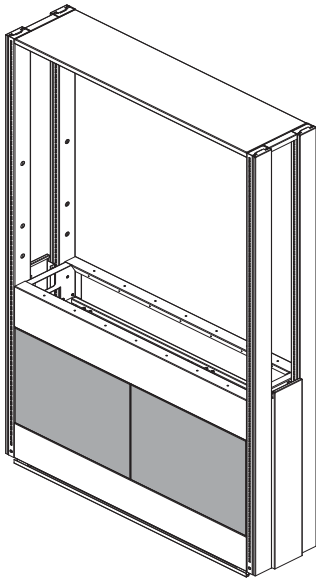


(1) Bench Top Core Fillers shown on a 12" deep core

- Replace "P" with and "S" for Stainless Steel
- Fillers sold individually

Cat. No.	Height	For use with:
PCIFF4812-A	48"	12" deep Bench Top Core

## Lower Core Half Panels

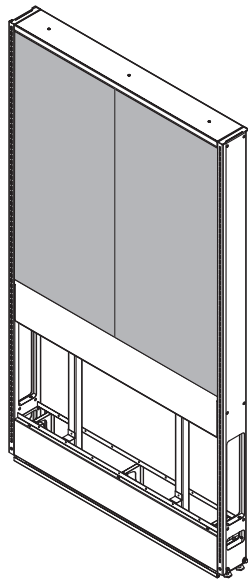


Shown on a 12" Frame

- Each part number includes (1) half flush panel for the lower part of a FlexCore Core
- Height of Lower Core Half Panels is 19"
- Can be used with 36" or 48" ledge. Can be used with any depth core
- Free-standing cores are double sided are require (4) panels to enclose the entire lower part of the Core
- Replace "P" with and "S" for Stainless Steel

Cat. No.	Width of Frame	Actual Panel Width
PCFP2419	24"	12"
PCFP3019	30"	15"
PCFP3619	36"	18"
PCFP4219	42"	21"
PCFP4819	48"	24"
PCFP5419	54"	27"
PCFP6019	60"	30"
PCFP6619	66"	33"
PCFP7219	72"	36"

## Upper Core Half Panels



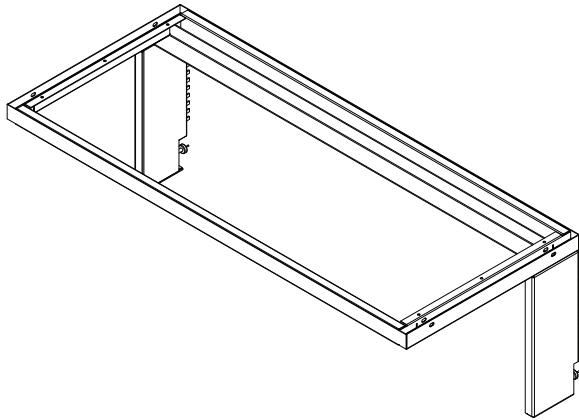
Shown on a 6" Frame

- Each part number includes (1) half flush panel for the upper part of a FlexCore Core
- Upper Core Half Panels can only be used with 84" tall cores
- Upper Core Half Panels can only be used with 3.25" and 6" deep cores
- Free-standing cores are double sided are require (4) panels to enclose the entire upper part of the Core
- Replace "P" with and "S" for Stainless Steel

Cat. No.	Width of Frame	Actual Panel Width	For use with:
<b>36" Tall Panel</b>			
PCFP2436	24"	12"	48" Tall Ledge
PCFP3036	30"	15"	48" Tall Ledge
PCFP3636	36"	18"	48" Tall Ledge
PCFP4236	42"	21"	48" Tall Ledge
PCFP4836	48"	24"	48" Tall Ledge
PCFP5436	54"	27"	48" Tall Ledge
PCFP6036	60"	30"	48" Tall Ledge
PCFP6636	66"	33"	48" Tall Ledge
PCFP7236	72"	36"	48" Tall Ledge
<b>48" Tall Panel</b>			
PCFP2448	24"	12"	36" Tall Ledge
PCFP3048	30"	15"	36" Tall Ledge
PCFP3648	36"	18"	36" Tall Ledge
PCFP4248	42"	21"	36" Tall Ledge
PCFP4848	48"	24"	36" Tall Ledge
PCFP5448	54"	27"	36" Tall Ledge
PCFP6048	60"	30"	36" Tall Ledge
PCFP6648	66"	33"	36" Tall Ledge
PCFP7248	72"	36"	36" Tall Ledge

# FlexCore Cantilever Frame

## Cantilever Frames



- To be used with any FlexCore Core or Cart
- Replace "P" with and "S" for Stainless Steel
- Weight Capacity up to 600 lbs UDL (includes weight of work surface or suspended cabinets)

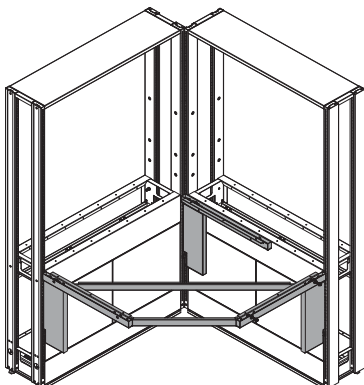
Cat. No.	23" Deep Frame	Width
PCF2423		24"
PCF3023		30"
PCF3623		36"
PCF4223		42"
PCF4823		48"
PCF5423		54"
PCF6023		60"
PCF6623		66"
PCF7223		72"

Cat. No.	26" Deep Frame	Width
PCF2426		24"
PCF3026		30"
PCF3626		36"
PCF4226		42"
PCF4826		48"
PCF5426		54"
PCF6026		60"
PCF6626		66"
PCF7226		72"

Cat. No.	27" Deep Frame	Width
PCF2427		24"
PCF3027		30"
PCF3627		36"
PCF4227		42"
PCF4827		48"
PCF5427		54"
PCF6027		60"
PCF6627		66"
PCF7227		72"

Cat. No.	29" Deep Frame	Width
PCF2429		24"
PCF3029		30"
PCF3629		36"
PCF4229		42"
PCF4829		48"
PCF5429		54"
PCF6029		60"
PCF6629		66"
PCF7229		72"

## Corner Cantilever Frames

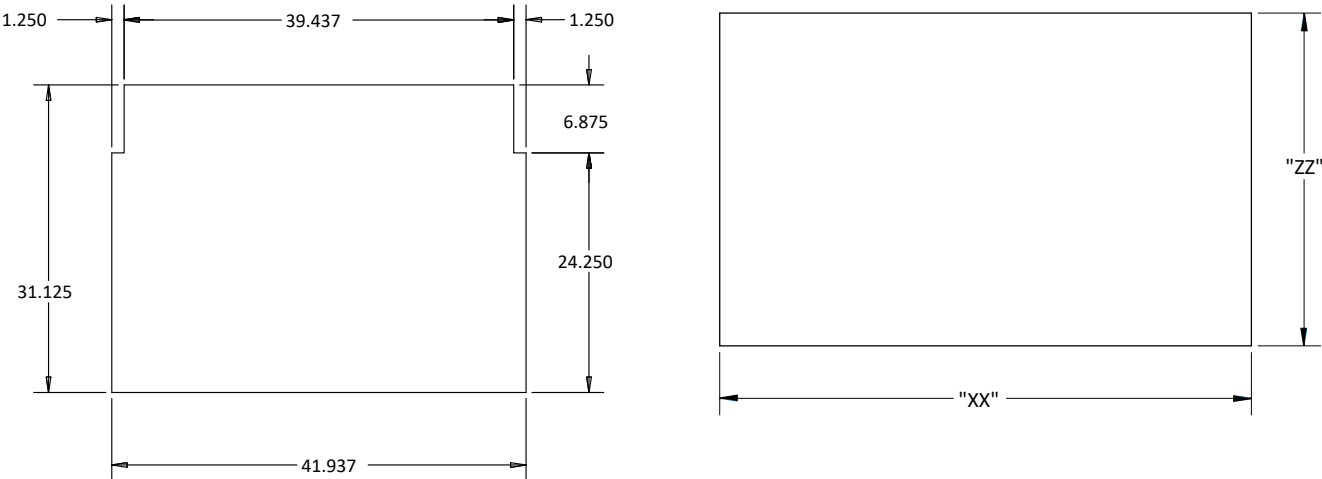


- To be used with any FlexCore Core in a corner situation
- Replace "P" with and "S" for Stainless Steel

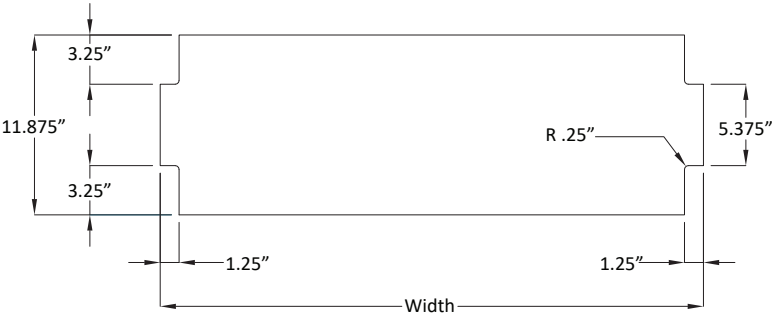
Cat. No.	29" Deep Frame	Width
PCF3629-90		36"
PCF4829-90		48"

FlexCore Work Surfaces are custom to each FlexCore Assembly or FlexCore Cart. Please contact your ICI Representative to consult about work surfaces.

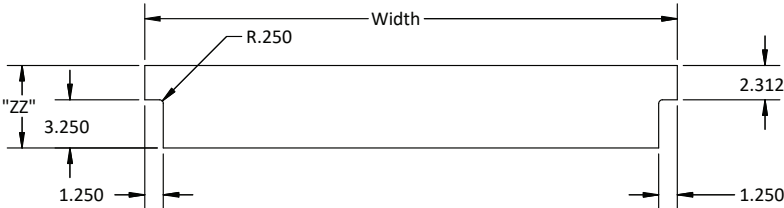
**Examples of Cantilever FlexCore Mobile Cart Work Surface:**



**Example of 12" Core Work Surface:**

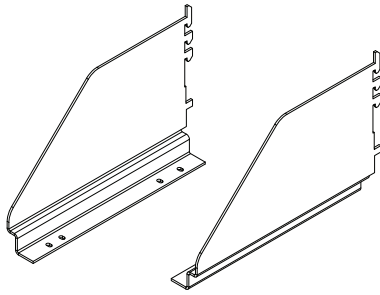


**Example of 8.75" Wall Core Work Surface:**



# FlexCore Shelving

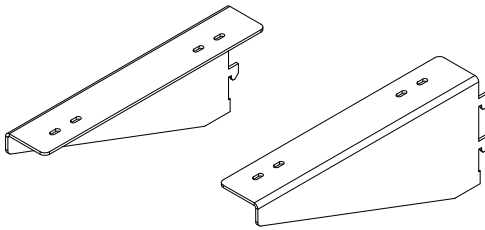
## Shelf Bracket



- To be used with and FlexCore Core or Cart
- Replace "P" with and "S" for Stainless Steel

Cat. No.	Type	Depth
PSB06R-A	Right Hand	6"
PSB06L-A	Left Hand	6"
PSB09R-A	Right Hand	9"
PSB09L-A	Left Hand	9"
PSB12R-A	Right Hand	12"
PSB12L-A	Left Hand	12"
PSB15R-A	Right Hand	15"
PSB15L-A	Left Hand	15"
PSB18R-A	Right Hand	18"
PSB18L-A	Left Hand	18"
PSB24R-A	Right Hand	24"
PSB24L-A	Left Hand	24"

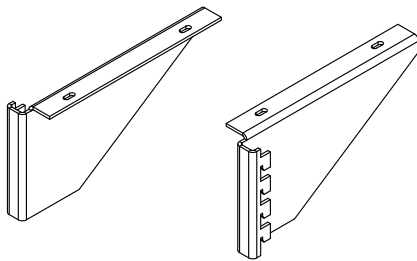
## Inverted Shelf Bracket



- To be used with and FlexCore Core or Cart
- Replace "P" with and "S" for Stainless Steel

Cat. No.	Type	Depth
PTSB06R-A	Right Hand	6"
PTSB06L-A	Left Hand	6"
PTSB09R-A	Right Hand	9"
PTSB09L-A	Left Hand	9"
PTSB12R-A	Right Hand	12"
PTSB12L-A	Left Hand	12"
PTSB15R-A	Right Hand	15"
PTSB15L-A	Left Hand	15"
PTSB18R-A	Right Hand	18"
PTSB18L-A	Left Hand	18"
PTSB24R-A	Right Hand	24"
PTSB24L-A	Left Hand	24"

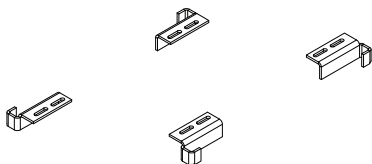
## Inverted Shelf Bracket for Wall Cores



- To be used with and FlexCore Core, Cart or Wall Upright
- Replace "P" with and "S" for Stainless Steel

Cat. No.	Type	Depth
PWSB875R-A	Right Hand	8.75"
PWSB875L-A	Left Hand	8.75"

## Inner Shelf Clips

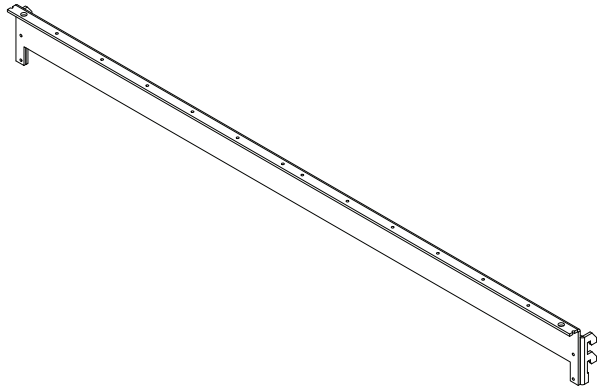


- Quantity of (4): (2) Left and (2) Right
- Replace "P" with and "S" for Stainless Steel

Cat. No.	Type
PISB-A	Inner Shelf Clips



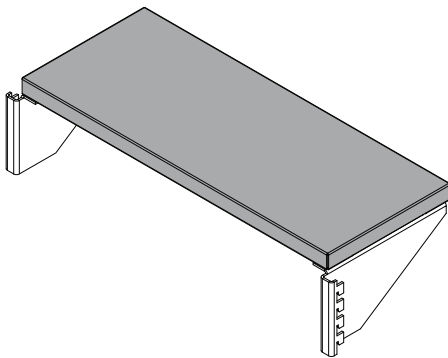
## Wall Cabinet Hanger



- To be used with and FlexCore Core or Cart
- Includes (2) hangers for mounting wall cabinets
- See Wall Cabinet section of CornerStone Catalog for wall cabinet options
- Replace "P" with and "S" for Stainless Steel

Cat. No.	Width
PWCH24	24"
PWCH30	30"
PWCH36	36"
PWCH42	42"
PWCH48	48"
PWCH54	54"
PWCH60	60"
PWCH66	66"
PWCH72	72"

## Inner Wall Core Shelves



**Shelf:** PWS24875-A  
**Brackets:** PWSB875L-A & PWSB875R-A

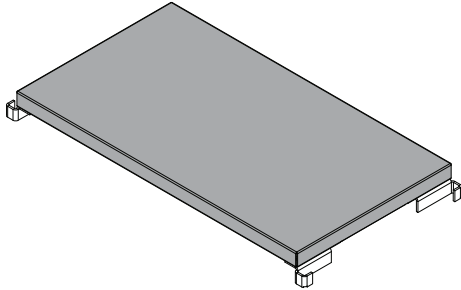
- To be used with Inverted Shelf Bracket for 8.75" Deep Wall Core only
- Part Number only includes shelf. Brackets sold separately.
- Inner Wall Core Shelf is 8.75" deep
- Replace "P" with and "S" for Stainless Steel

Cat. No.	Width
PWS24875-A	24"
PWS30875-A	30"
PWS36875-A	36"
PWS42875-A	42"
PWS48875-A	48"
PWS54875-A	54"
PWS60875-A	60"
PWS66875-A	66"
PWS72875-A	72"

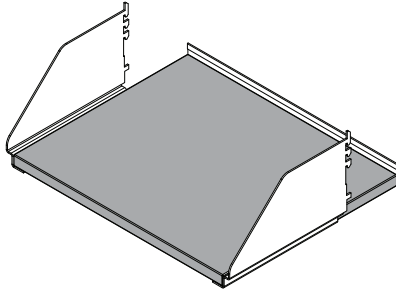
# FlexCore Shelving

## Inner/Outer Shelves

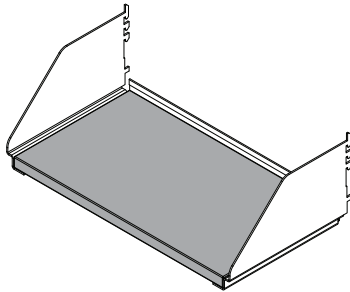
### Shelf Examples



**Shelf:** PS2412-A  
**Shelf Clips:** PISB-A



**Shelf:** PS3015-A  
**Brackets:** PSB12L-A & PSB12R-A  
**Shelf Lip:** PSL30

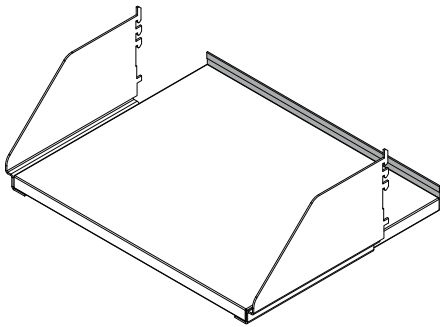


**Shelf:** PS3018-A  
**Brackets:** PSB18L-A & PSB18R-A  
**Shelf Lip:** PSL30

- To be used with Shelf Bracket, Inverted Bracket or Shelf Clips
- Part Number only includes shelf. Brackets sold separately.
- Replace "P" with an "S" for Stainless Steel

6" Deep		15" Deep	
Cat. No.	Width	Cat. No.	Width
PS2406-A	24"	PS2415-A	24"
PS3006-A	30"	PS3015-A	30"
PS3606-A	36"	PS3615-A	36"
PS4206-A	42"	PS4215-A	42"
PS4806-A	48"	PS4815-A	48"
PS5406-A	54"	PS5415-A	54"
PS6006-A	60"	PS6015-A	60"
PS6606-A	66"	PS6615-A	66"
PS7206-A	72"	PS7215-A	72"
9" Deep		18" Deep	
PS2409-A	24"	PS2418-A	24"
PS3009-A	30"	PS3018-A	30"
PS3609-A	36"	PS3618-A	36"
PS4209-A	42"	PS4218-A	42"
PS4809-A	48"	PS4818-A	48"
PS5409-A	54"	PS5418-A	54"
PS6009-A	60"	PS6018-A	60"
PS6609-A	66"	PS6618-A	66"
PS7209-A	72"	PS7218-A	72"
12" Deep		24" Deep	
PS2412-A	24"	PS2424-A	24"
PS3012-A	30"	PS3024-A	30"
PS3612-A	36"	PS3624-A	36"
PS4212-A	42"	PS4224-A	42"
PS4812-A	48"	PS4824-A	48"
PS5412-A	54"	PS5424-A	54"
PS6012-A	60"	PS6024-A	60"
PS6612-A	66"	PS6624-A	66"
PS7212-A	72"	PS7224-A	72"

## Shelf Lips

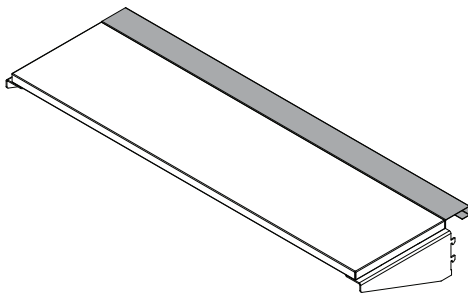


**Shelf:** PS3015-A  
**Brackets:** PSB12L-A & PSB12R-A  
**Shelf Lip:** PSL30

- To be used with any FlexCore Shelf
- Replace "P" with and "S" for Stainless Steel

Cat. No.	Width
PSL24-A	24"
PSL30-A	30"
PSL36-A	36"
PSL42-A	42"
PSL48-A	48"
PSL54-A	54"
PSL60-A	60"
PSL66-A	66"
PSL72-A	72"

## Shelf Extender



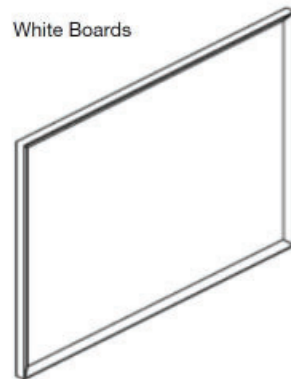
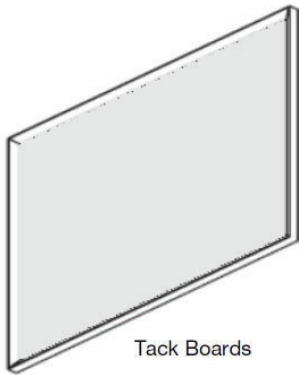
**Shelf:** PWS24875-A  
**Brackets:** PWSB875L-A & PWSB875R-A  
**Shelf Extender:** PSE24325-A

- To be used with any FlexCore Shelf
- Replace "P" with and "S" for Stainless Steel
- Note: Shelf Extender does not increase load rating of shelf

Cat. No.	Width
PSE24325-A	24"
PSE30325-A	30"
PSE36325-A	36"
PSE42325-A	42"
PSE48325-A	48"
PSE54325-A	54"
PSE60325-A	60"
PSE66325-A	66"
PSE72325-A	72"

# FlexCore Accessories

## White Marker Boards



- To be used with any FlexCore Core
- Replace "P" with and "S" for Stainless Steel

Cat. No.		Width	Height
White Marker Board	Tack Board		
PWMB2411	PTBB2411	24"	11"
PWMB3011	PTBB3011	30"	11"
PWMB3611	PTBB3611	36"	11"
PWMB4211	PTBB4211	42"	11"
PWMB4811	PTBB4811	48"	11"
PWMB5411	PTBB5411	54"	11"
PWMB6011	PTBB6011	60"	11"
PWMB6611	PTBB6611	66"	11"
PWMB7211	PTBB7211	72"	11"
PWMB2424	PTBB2424	24"	24"
PWMB3024	PTBB3024	30"	24"
PWMB3624	PTBB3624	36"	24"
PWMB4224	PTBB4224	42"	24"
PWMB4824	PTBB4824	48"	24"
PWMB5424	PTBB5424	54"	24"
PWMB6024	PTBB6024	60"	24"
PWMB6624	PTBB6624	66"	24"
PWMB7224	PTBB7224	72"	24"
PWMB2430	PTBB2430	24"	30"
PWMB3030	PTBB3030	30"	30"
PWMB3630	PTBB3630	36"	30"
PWMB4230	PTBB4230	42"	30"
PWMB4830	PTBB4830	48"	30"
PWMB5430	PTBB5430	54"	30"
PWMB6030	PTBB6030	60"	30"
PWMB6630	PTBB6630	66"	30"
PWMB7230	PTBB7230	72"	30"

## Keyboard Tray

Cat. No.	Type
KBTMP	Keyboard Tray with Mouse Pad

## Monitor Arm

Cat. No.	Type
FC-MA	Monitor Arm

## CPU Holder

Cat. No.	Type
FC-CPUH	CPU Holder

## LED Task Lighting for FlexCore

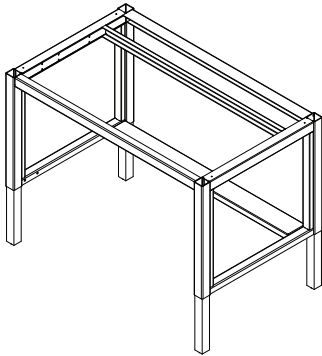


- Touch and hold continuous dimming and 10 hour automatic turnoff
- Units with (1) light include: (1) LED task light, magnetic angle mount that allows for up to 25° adjustment, 60 watt power supply with magnetic mount and 6' white cord
- Units with (2) lights include: (2) LED task light, magnetic angle mount that allows for up to 25° adjustment, 60 watt power supply with magnetic mount, 6' white cord, and 1 interlink cord to connect lights
- 60 watt power supply with magnetic mount and 6' white cord
- Made with anodized aluminum
- Lasts up to 50,000 hours

Cat. No.	Quantity of Lights	Actual Width	For use with:
TL17-LED	1	17"	24" wide Core/Cart
TL17-LED	1	17"	30" wide Core/Cart
TL17-LED	1	17"	36" wide Core/Cart
TL17-LED	1	17"	42" wide Core/Cart
TL17-LED	1	17"	48" wide Core/Cart
TL17-LED	1	17"	54" wide Core/Cart
TL34-LED	2	17"	60" wide Core/Cart
TL34-LED	2	17"	66" wide Core/Cart
TL34-LED	2	17"	72" wide Core/Cart

# FlexCore Process Table

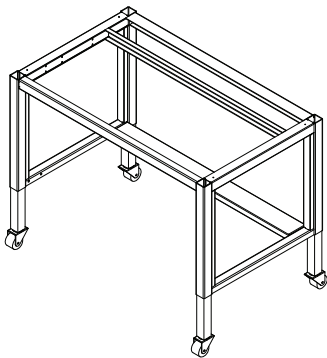
## FlexCore Process Table - Standard Duty with Leveling Glides



- Replace "P" with and "S" for Stainless Steel
- Height adjusts from 28"-38" in 1" increments, including 1" thick top
- Weight Capacity up to 600 lbs., UDL and includes the weight of the work surface and suspended cabinets

24" Deep	Cat. No.		Width
	30" Deep	36" Deep	
PLAT3624	PLAT3630	PLAT3636	36"
PLAT4224	PLAT4230	PLAT4236	42"
PLAT4824	PLAT4830	PLAT4836	48"
PLAT5424	PLAT5430	PLAT5436	54"
PLAT6024	PLAT6030	PLAT6036	60"
PLAT6624	PLAT6630	PLAT6636	66"
PLAT7224	PLAT7230	PLAT7236	72"

## FlexCore Process Table - Standard Duty with Casters

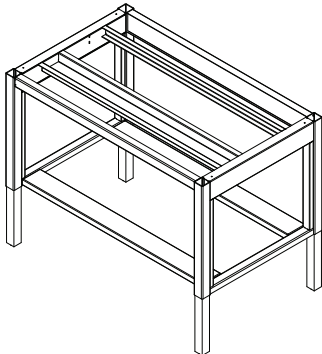


- Replace "P" with and "S" for Stainless Steel
- Height adjusts from 28"-38" in 1" increments, including 1" thick top
- Weight Capacity up to 600 lbs., UDL and includes the weight of the work surface and suspended cabinets

24" Deep	Cat. No.		Width
	30" Deep	36" Deep	
PMAT3624	PMAT3630	PMAT3636	36"
PMAT4224	PMAT4230	PMAT4236	42"
PMAT4824	PMAT4830	PMAT4836	48"
PMAT5424	PMAT5430	PMAT5436	54"
PMAT6024	PMAT6030	PMAT6036	60"
PMAT6624	PMAT6630	PMAT6636	66"
PMAT7224	PMAT7230	PMAT7236	72"

# FlexCore Process Table

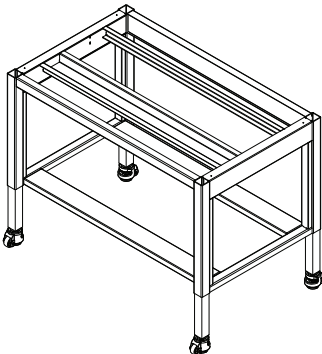
## FlexCore Process Table - Heavy Duty with Leveling Glides



- Replace "P" with and "S" for Stainless Steel
- Height adjusts from 28"-38" in 1" increments, including 1" thick top
- Weight Capacity up to 1,200 lbs., UDL and includes the weight of the work surface and suspended cabinets

24" Deep	Cat. No.		Width
	30" Deep	36" Deep	
PLAT3624-HD	PLAT3630-HD	PLAT3636-HD	36"
PLAT4224-HD	PLAT4230-HD	PLAT4236-HD	42"
PLAT4824-HD	PLAT4830-HD	PLAT4836-HD	48"
PLAT5424-HD	PLAT5430-HD	PLAT5436-HD	54"
PLAT6024-HD	PLAT6030-HD	PLAT6036-HD	60"
PLAT6624-HD	PLAT6630-HD	PLAT6636-HD	66"
PLAT7224-HD	PLAT7230-HD	PLAT7236-HD	72"

## FlexCore Process Table - Heavy Duty with Casters

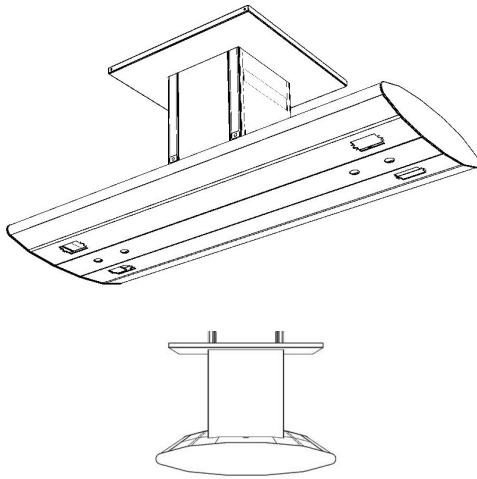


- Replace "P" with and "S" for Stainless Steel
- Height adjusts from 28"-38" in 1" increments, including 1" thick top
- Weight Capacity up to 1,200 lbs., UDL and includes the weight of the work surface and suspended cabinets

24" Deep	Cat. No.		Width
	30" Deep	36" Deep	
PMAT3624-HD	PMAT3630-HD	PMAT3636-HD	36"
PMAT4224-HD	PMAT4230-HD	PMAT4236-HD	42"
PMAT4824-HD	PMAT4830-HD	PMAT4836-HD	48"
PMAT5424-HD	PMAT5430-HD	PMAT5436-HD	54"
PMAT6024-HD	PMAT6030-HD	PMAT6036-HD	60"
PMAT6624-HD	PMAT6630-HD	PMAT6636-HD	66"
PMAT7224-HD	PMAT7230-HD	PMAT7236-HD	72"

# FlexCore Services

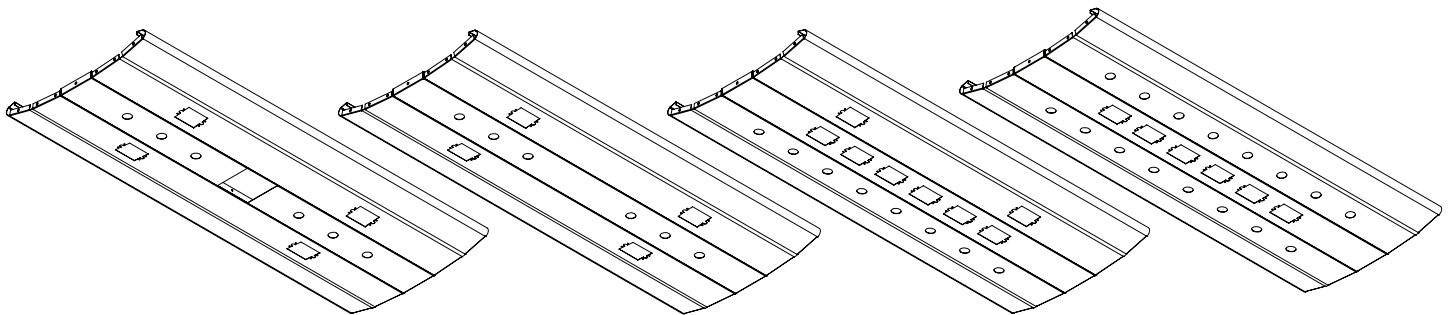
## Overhead Carrier



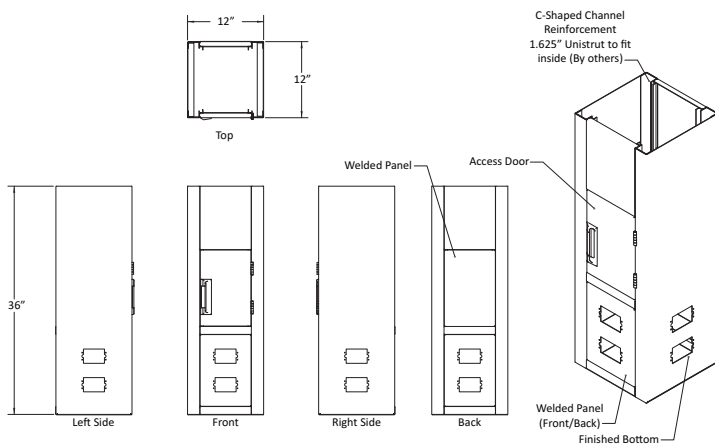
- Part number is a blank overhead service carrier
- Please contact your ICI representative to determine Overhead Service Carrier Cutouts

Cat. No.	Length
JPOHSC363624	36"
JPOHSC483624	48"
JPOHSC603624	60"

## Examples of Overhead Service Carrier Configurations



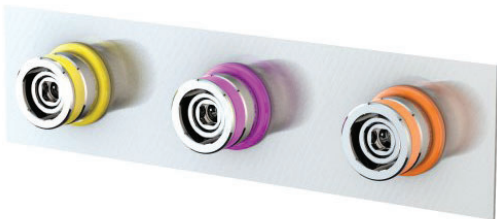
## Service Pod



Cat. No.	Height
PCSC361212	36"
PCSC481212	48"
PCSC601212	60"



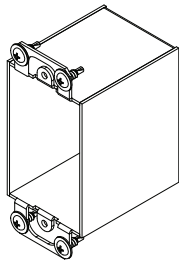
## Quick Connect Outlets for Ceilings Panels



- Envision Plumbing Fitting Brass 3/8" MNPT to QC Body QCFL-B-3M-K (for ceiling panel)

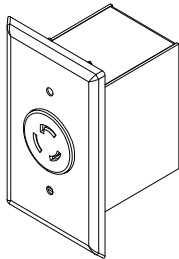
Cat. No.	Type
E3PFWQBM-K1	Helium
E3PFWQBM-K2	Air
E3PFWQBM-K4	Vacuum
E3PFWQBM-K5	Gas
E3PFWQBM-K6	Natural Gas
E3PFWQBM-K7	Argon
E3PFWQBM-K8	Nitrogen
E3CPP	Ceiling Panel Plug Cover

## Junction Box



Cat. No.	Type
E3CPJB	J-Box

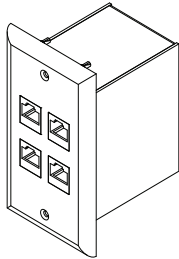
## Electrical Box Assemblies



- Includes: Junction box, electrical outlet, stainless steel cover plate

Cat. No.	Type
E3CPL5-KIT	L5-20R
E3CPL14-KIT	L14-20R

## Data Box Assemblies



- Includes: Junction box, data outlet, stainless steel cover plate
- CAT-5E

Cat. No.	Type
E3CPD2-KIT	2 Data Outlets
E3CPD4-KIT	4 Data Outlets
E3CPD6-KIT	6 Data Outlets



**SAI SYSTEMS**

*Scientifically Advanced Interiors*

Toll Free: (866) 527-2970  
[sales@saisns.com](mailto:sales@saisns.com)  
[www.saisns.com](http://www.saisns.com)

BURNABY

TORONTO

HALIFAX