



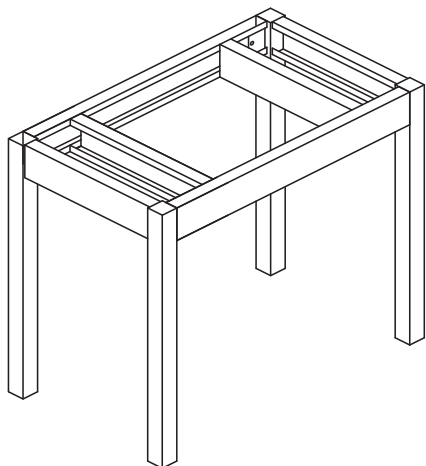
LABORATORY TABLES

Painted Steel & Stainless Steel



SITTING HEIGHT TABLES

28" HIGH



24" Deep Table Tops	30" Deep Table Tops	36" Deep Table Tops
LHT-3024-0	LHT-3030-0	LHT-3636-0
LHT-3624-0	LHT-3630-0	LHT-4236-0
LHT-4224-0	LHT-4230-0	LHT-4836-0
LHT-4824-0	LHT-4830-0	LHT-5436-0
LHT-5424-0	LHT-5430-0	LHT-6036-0
LHT-6024-0	LHT-6030-0	LHT-6636-0
LHT-6624-0	LHT-6630-0	LHT-7236-0
LHT-7224-0	LHT-7230-0	

42" Deep Table Tops	48" Deep Table Tops
LHT-4242-0	LHT-4848-0
LHT-4842-0	LHT-5448-0
LHT-5442-0	LHT-6048-0
LHT-6042-0	LHT-6648-0
LHT-6642-0	LHT-7248-0
LHT-7242-0	

Table Features

All legs have adjustment bolts and plastic shoes.

Apron is 4 1/2" high.

3" casters optional.

Work surfaces not included.

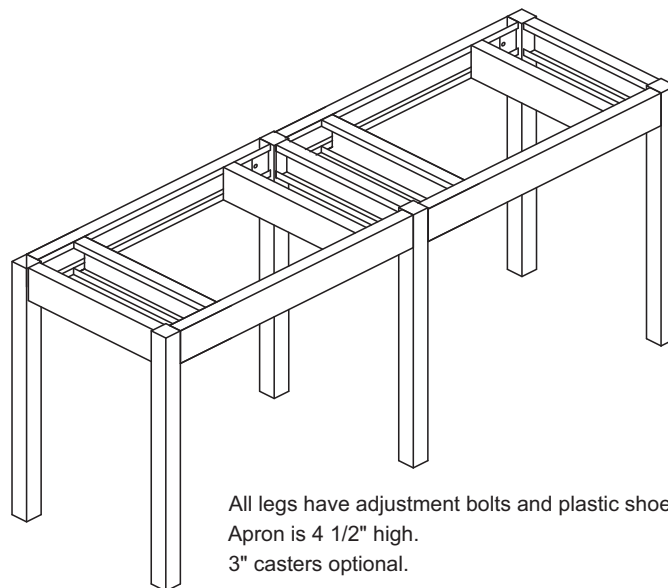
Please Note: Dimensions shown are actual top sizes, table assembly is 1" less all around.

Note : Add "-S" at the end of model number for Stainless Steel Casework. Example LHT-6648-0-S

24" Deep Table Tops	30" Deep Table Tops
LHT-8424-0	LHT-8430-0
LHT-9624-0	LHT-9630-0

36" Deep Table Tops	42" Deep Table Tops
LHT-8436-0	LHT-8442-0
LHT-9636-0	LHT-9642-0

48" Deep Table Tops
LHT-8448-0
LHT-9648-0



All legs have adjustment bolts and plastic shoes.
Apron is 4 1/2" high.
3" casters optional.

Work surfaces not included.

Please Note: Dimensions shown are actual top sizes, table assembly is 1" less all around.

Note : Add "-S" at the end of model number for Stainless Steel Casework. Example LHT-9648-0-S

SITTING HEIGHT TABLES

With One Drawer

28" HIGH

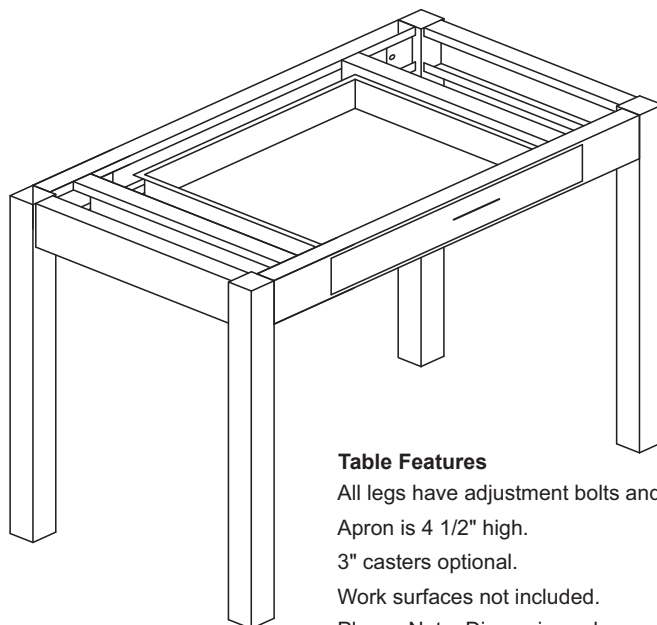


Table Features

All legs have adjustment bolts and plastic shoes.

Apron is 4 1/2" high.

3" casters optional.

Work surfaces not included.

Please Note: Dimensions shown are actual top sizes, table assembly is 1" less all around.

Note : Add "-S" at the end of model number for Stainless Steel Casework. Example LHT-6648-1-S

24" Deep Table Tops

LHT-3024-1
LHT-3624-1
LHT-4224-1
LHT-4824-1
LHT-5424-1
LHT-6024-1
LHT-6624-1
LHT-7224-1

30" Deep Table Tops

LHT-3030-1
LHT-3630-1
LHT-4230-1
LHT-4830-1
LHT-5430-1
LHT-6030-1
LHT-6630-1
LHT-7230-1

36" Deep Table Tops

LHT-3636-1
LHT-4236-1
LHT-4836-1
LHT-5436-1
LHT-6036-1
LHT-6636-1
LHT-7236-1

42" Deep Table Tops

LHT-4242-1
LHT-4842-1
LHT-5442-1
LHT-6042-1
LHT-6642-1
LHT-7242-1

48" Deep Table Tops

LHT-4848-1
LHT-5448-1
LHT-6048-1
LHT-6648-1
LHT-7248-1

SITTING HEIGHT TABLES

28" HIGH

With Two Drawers

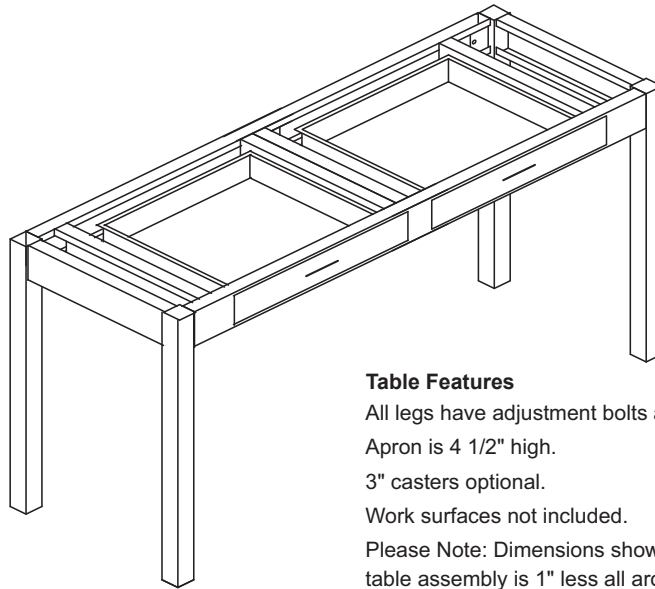


Table Features

All legs have adjustment bolts and plastic shoes.

Apron is 4 1/2" high.

3" casters optional.

Work surfaces not included.

Please Note: Dimensions shown are actual top sizes, table assembly is 1" less all around.

Note : Add "-S" at the end of model number for Stainless Steel Casework. Example LHT-6648-2-S

24" Deep Table Tops

LHT-4824-2

LHT-5424-2

LHT-6024-2

LHT-6624-2

LHT-7224-2

30" Deep Table Tops

LHT-4830-2

LHT-5430-2

LHT-6030-2

LHT-6630-2

LHT-7230-2

36" Deep Table Tops

LHT-4836-2

LHT-5436-2

LHT-6036-2

LHT-6636-2

LHT-7236-2

42" Deep Table Tops

LHT-4842-2

LHT-5442-2

LHT-6042-2

LHT-6642-2

LHT-7242-2

48" Deep Table Tops

LHT-4848-2

LHT-5448-2

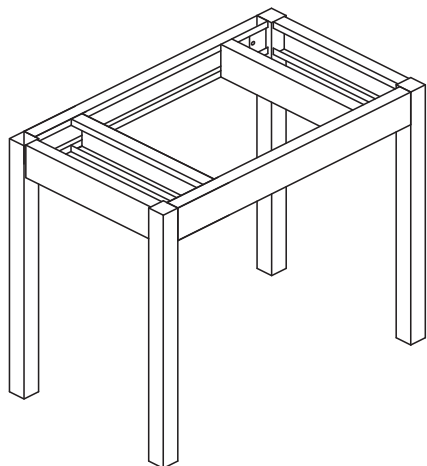
LHT-6048-2

LHT-6648-2

LHT-7248-2

ADA HEIGHT TABLES

32" HIGH



24" Deep Table Tops

AHT-3024-0
 AHT-3624-0
 AHT-4224-0
 AHT-4824-0
 AHT-5424-0
 AHT-6024-0
 AHT-6624-0
 AHT-7224-0

30" Deep Table Tops

AHT-3030-0
 AHT-3630-0
 AHT-4230-0
 AHT-4830-0
 AHT-5430-0
 AHT-6030-0
 AHT-6630-0
 AHT-7230-0

36" Deep Table Tops

AHT-3636-0
 AHT-4236-0
 AHT-4836-0
 AHT-5436-0
 AHT-6036-0
 AHT-6636-0
 AHT-7236-0

42" Deep Table Tops

AHT-4242-0
 AHT-4842-0
 AHT-5442-0
 AHT-6042-0
 AHT-6642-0
 AHT-7242-0

48" Deep Table Tops

AHT-4848-0
 AHT-5448-0
 AHT-6048-0
 AHT-6648-0
 AHT-7248-0

Table Features

All legs have adjustment bolts and plastic shoes.

Apron is 4 1/2" high.

3" casters optional.

Work surfaces not included.

Please Note: Dimensions shown are actual top sizes, table assembly is 1" less all around.

Note : Add "-S" at the end of model number for Stainless Steel Casework. Example AHT-6648-0-S

24" Deep Table Tops

AHT-8424-0
 AHT-9624-0

30" Deep Table Tops

AHT-8430-0
 AHT-9630-0

36" Deep Table Tops

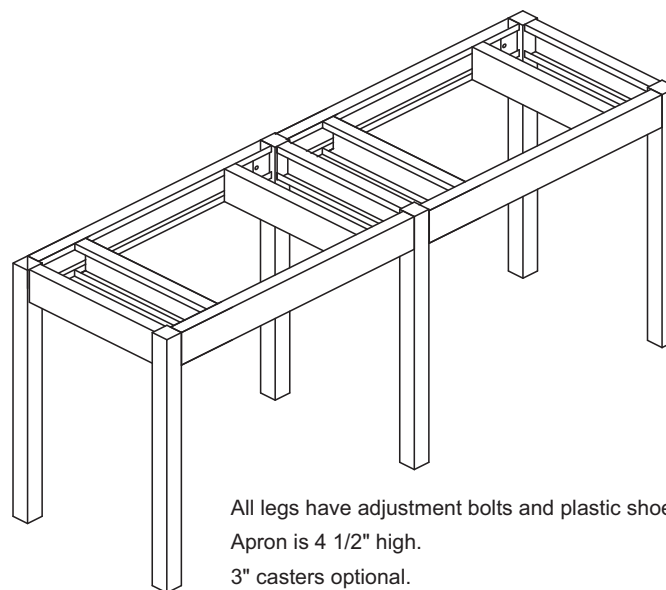
AHT-8436-0
 AHT-9636-0

42" Deep Table Tops

AHT-8442-0
 AHT-9642-0

48" Deep Table Tops

AHT-8448-0
 AHT-9648-0



All legs have adjustment bolts and plastic shoes.

Apron is 4 1/2" high.

3" casters optional.

Work surfaces not included.

Please Note: Dimensions shown are actual top sizes, table assembly is 1" less all around.

Note : Add "-S" at the end of model number for Stainless Steel Casework. Example AHT-9648-0-S

ADA HEIGHT TABLES

With One Drawer

32" HIGH

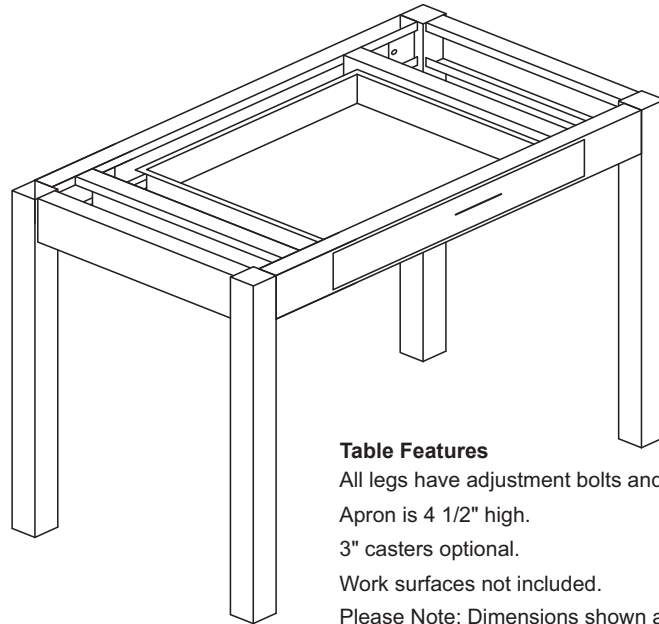


Table Features

All legs have adjustment bolts and plastic shoes.

Apron is 4 1/2" high.

3" casters optional.

Work surfaces not included.

Please Note: Dimensions shown are actual top sizes, table assembly is 1" less all around.

Note : Add "-S" at the end of model number for Stainless Steel Casework. Example AHT-6648-1-S

24" Deep Table Tops

- AHT-3024-1
- AHT-3624-1
- AHT-4224-1
- AHT-4824-1
- AHT-5424-1
- AHT-6024-1
- AHT-6624-1
- AHT-7224-1

30" Deep Table Tops

- AHT-3030-1
- AHT-3630-1
- AHT-4230-1
- AHT-4830-1
- AHT-5430-1
- AHT-6030-1
- AHT-6630-1
- AHT-7230-1

36" Deep Table Tops

- AHT-3636-1
- AHT-4236-1
- AHT-4836-1
- AHT-5436-1
- AHT-6036-1
- AHT-6636-1
- AHT-7236-1

42" Deep Table Tops

- AHT-4242-1
- AHT-4842-1
- AHT-5442-1
- AHT-6042-1
- AHT-6642-1
- AHT-7242-1

48" Deep Table Tops

- AHT-4848-1
- AHT-5448-1
- AHT-6048-1
- AHT-6648-1
- AHT-7248-1

ADA HEIGHT TABLES

With Two Drawers

32" HIGH

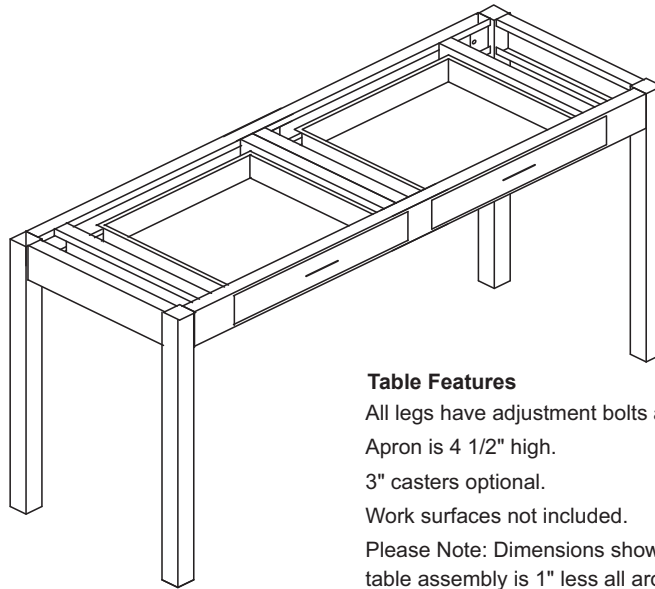


Table Features

All legs have adjustment bolts and plastic shoes.

Apron is 4 1/2" high.

3" casters optional.

Work surfaces not included.

Please Note: Dimensions shown are actual top sizes, table assembly is 1" less all around.

Note : Add "-S" at the end of model number for Stainless Steel Casework. Example AHT-6648-2-S

24" Deep Table Tops

- AHT-4824-2
- AHT-5424-2
- AHT-6024-2
- AHT-6624-2
- AHT-7224-2

30" Deep Table Tops

- AHT-4830-2
- AHT-5430-2
- AHT-6030-2
- AHT-6630-2
- AHT-7230-2

36" Deep Table Tops

- AHT-4836-2
- AHT-5436-2
- AHT-6036-2
- AHT-6636-2
- AHT-7236-2

42" Deep Table Tops

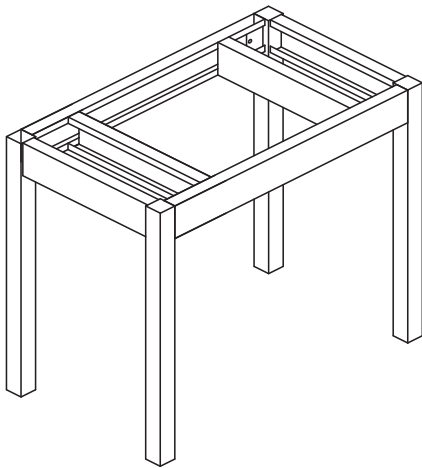
- AHT-4842-2
- AHT-5442-2
- AHT-6042-2
- AHT-6642-2
- AHT-7242-2

48" Deep Table Tops

- AHT-4848-2
- AHT-5448-2
- AHT-6048-2
- AHT-6648-2
- AHT-7248-2

STANDING HEIGHT TABLES

35" HIGH



24" Deep Table Tops

- SHT-3024-0
- SHT-3624-0
- SHT-4224-0
- SHT-4824-0
- SHT-5424-0
- SHT-6024-0
- SHT-6624-0
- SHT-7224-0

30" Deep Table Tops

- SHT-3030-0
- SHT-3630-0
- SHT-4230-0
- SHT-4830-0
- SHT-5430-0
- SHT-6030-0
- SHT-6630-0
- SHT-7230-0

36" Deep Table Tops

- SHT-3636-0
- SHT-4236-0
- SHT-4836-0
- SHT-5436-0
- SHT-6036-0
- SHT-6636-0
- SHT-7236-0

42" Deep Table Tops

- SHT-4242-0
- SHT-4842-0
- SHT-5442-0
- SHT-6042-0
- SHT-6642-0
- SHT-7242-0

48" Deep Table Tops

- SHT-4848-0
- SHT-5448-0
- SHT-6048-0
- SHT-6648-0
- SHT-7248-0

Table Features

All legs have adjustment bolts and plastic shoes.

Apron is 4 1/2" high.

3" casters optional.

Work surfaces not included.

Please Note: Dimensions shown are actual top sizes, table assembly is 1" less all around.

Note : Add "-S" at the end of model number for Stainless Steel Casework. Example SHT-6648-0-S

24" Deep Table Tops

- SHT-8424-0
- SHT-9624-0

30" Deep Table Tops

- SHT-8430-0
- SHT-9630-0

36" Deep Table Tops

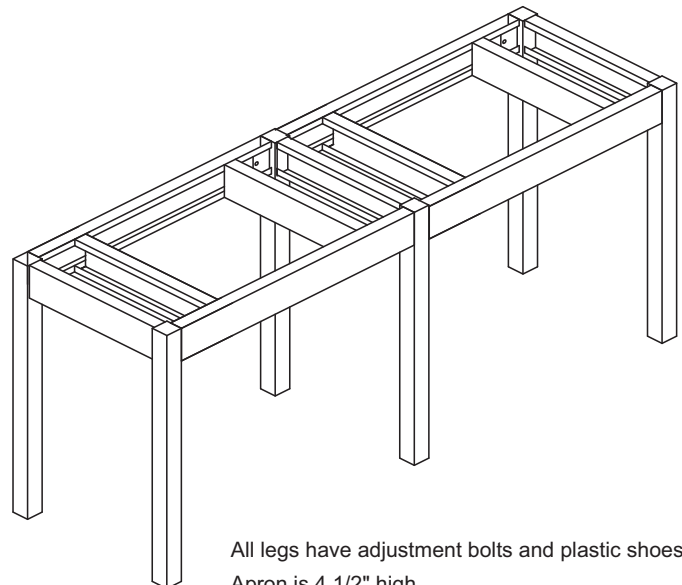
- SHT-8436-0
- SHT-9636-0

42" Deep Table Tops

- SHT-8442-0
- SHT-9642-0

48" Deep Table Tops

- SHT-8448-0
- SHT-9648-0



All legs have adjustment bolts and plastic shoes.

Apron is 4 1/2" high.

3" casters optional.

Work surfaces not included.

Please Note: Dimensions shown are actual top sizes, table assembly is 1" less all around.

Note : Add "-S" at the end of model number for Stainless Steel Casework. Example SHT-9648-0-S

STANDING HEIGHT TABLES

With One Drawer

35" HIGH

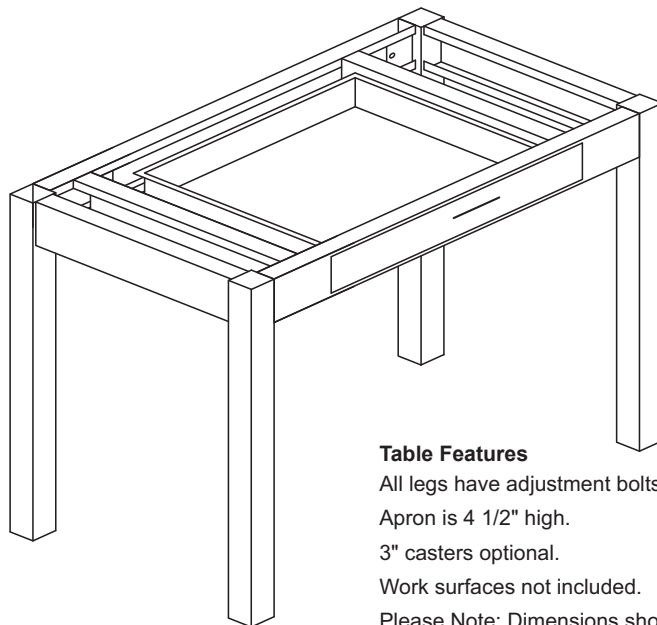


Table Features

All legs have adjustment bolts and plastic shoes.

Apron is 4 1/2" high.

3" casters optional.

Work surfaces not included.

Please Note: Dimensions shown are actual top sizes, table assembly is 1" less all around.

Note : Add "-S" at the end of model number for Stainless Steel Casework. Example SHT-6648-1-S

24" Deep Table Tops

SHT-3024-1

SHT-3624-1

SHT-4224-1

SHT-4824-1

SHT-5424-1

SHT-6024-1

SHT-6624-1

SHT-7224-1

30" Deep Table Tops

SHT-3030-1

SHT-3630-1

SHT-4230-1

SHT-4830-1

SHT-5430-1

SHT-6030-1

SHT-6630-1

SHT-7230-1

36" Deep Table Tops

SHT-3636-1

SHT-4236-1

SHT-4836-1

SHT-5436-1

SHT-6036-1

SHT-6636-1

SHT-7236-1

42" Deep Table Tops

SHT-4242-1

SHT-4842-1

SHT-5442-1

SHT-6042-1

SHT-6642-1

SHT-7242-1

48" Deep Table Tops

SHT-4848-1

SHT-5448-1

SHT-6048-1

SHT-6648-1

SHT-7248-1

STANDING HEIGHT TABLES

35" HIGH

With Two Drawers

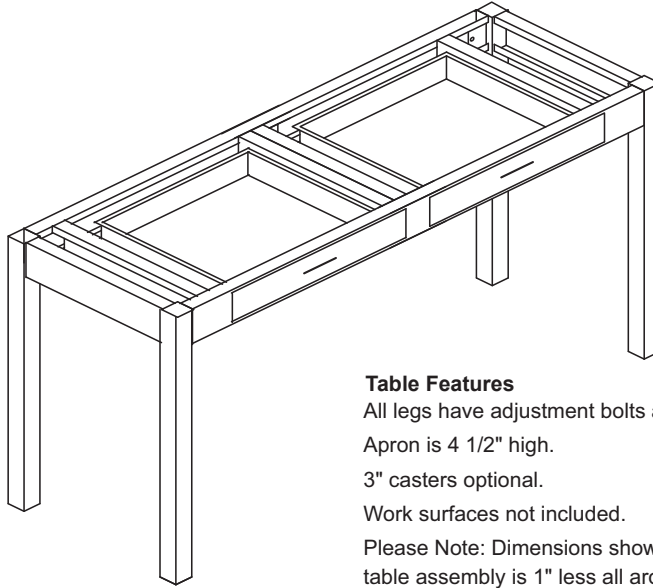


Table Features

All legs have adjustment bolts and plastic shoes.

Apron is 4 1/2" high.

3" casters optional.

Work surfaces not included.

Please Note: Dimensions shown are actual top sizes, table assembly is 1" less all around.

Note : Add "-S" at the end of model number for Stainless Steel Casework. Example SHT-6648-2-S

24" Deep Table Tops

SHT-4824-2

SHT-5424-2

SHT-6024-2

SHT-6624-2

SHT-7224-2

30" Deep Table Tops

SHT-4830-2

SHT-5430-2

SHT-6030-2

SHT-6630-2

SHT-7230-2

36" Deep Table Tops

SHT-4836-2

SHT-5436-2

SHT-6036-2

SHT-6636-2

SHT-7236-2

42" Deep Table Tops

SHT-4842-2

SHT-5442-2

SHT-6042-2

SHT-6642-2

SHT-7242-2

48" Deep Table Tops

SHT-4848-2

SHT-5448-2

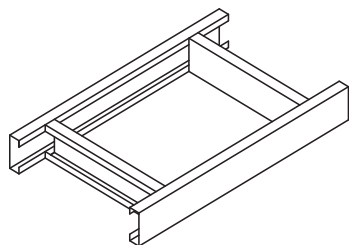
SHT-6048-2

SHT-6648-2

SHT-7248-2

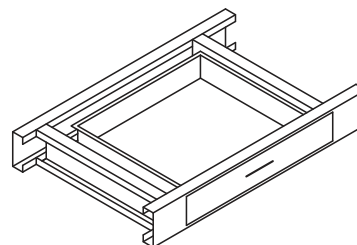
APRON FRAMES AND RAILS

4" HIGH



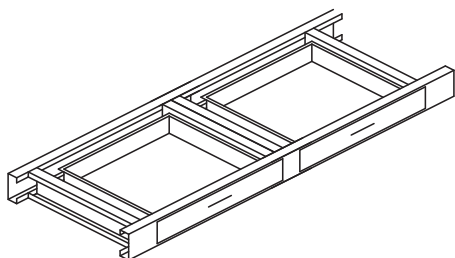
Apron Frame without Drawer

22" Deep	28" Deep
AF-2422-0	AF-2428-0
AF-3022-0	AF-3028-0
AF-3622-0	AF-3628-0
AF-4222-0	AF-4228-0
AF-4822-0	AF-4828-0
AF-5422-0	AF-5428-0
AF-6022-0	AF-6028-0
AF-6622-0	AF-6628-0
AF-7222-0	AF-7228-0



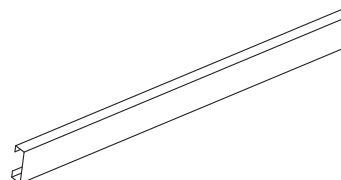
Apron Frame with One Drawer

22" Deep	28" Deep
AF-2422-1	AF-2428-1
AF-3022-1	AF-3028-1
AF-3622-1	AF-3628-1
AF-4222-1	AF-4228-1
AF-4822-1	AF-4828-1
AF-5422-1	AF-5428-1
AF-6022-1	AF-6028-1
AF-6622-1	AF-6628-1
AF-7222-1	AF-7228-1



Apron Frame with Two Drawers

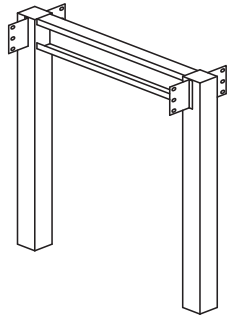
22" Deep	28" Deep
AF-2422-2	AF-2428-2
AF-3022-2	AF-3028-2
AF-3622-2	AF-3628-2
AF-4222-2	AF-4228-2
AF-4822-2	AF-4828-2
AF-5422-2	AF-5428-2
AF-6022-2	AF-6028-2
AF-6622-2	AF-6628-2
AF-7222-2	AF-7228-2
AF-8422-2	AF-8428-2
AF-9622-2	AF-9628-2



Apron Rail

2" High	4" High
AR-24-2	AR-24-4
AR-30-2	AR-30-4
AR-36-2	AR-36-4
AR-42-2	AR-42-4
AR-48-2	AR-48-4
AR-54-2	AR-54-4
AR-60-2	AR-60-4

TABLE ASSEMBLIES - LEG FRAMES



*Centre Leg Frame

Sitting - 28" High

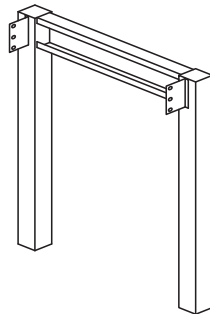
LTF-2822-2
LTF-2828-2
LTF-2834-2
LTF-2840-2
LTF-2846-2

ADA - 32" High

ATF-3222-2
ATF-3228-2
ATF-3234-2
ATF-3240-2
ATF-3246-2

Standing - 35" High

STF-3522-2
STF-3528-2
STF-3534-2
STF-3540-2
STF-3546-2



*End Leg Frame

Sitting - 28" High

LFT-2822-1
LTF-2828-1
LTF-2834-1
LTF-2840-1
LTF-2846-1

ADA - 32" High

ATF-3222-1
ATF-3228-1
ATF-3234-1
ATF-3240-1
ATF-3246-1

Standing - 35" High

STF-3522-1
STF-3528-1
STF-3534-1
STF-3540-1
STF-3546-1

Features

All legs have adjustment bolts and plastic shoes.

Apron is 4" high.

3" casters optional.

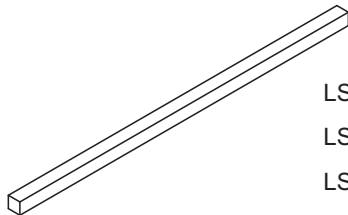
Work surfaces not included.

Please Note: Dimensions shown are actual top sizes, table assembly is 1" less all around.

Note : Add "-S" at the end of model number for Stainless Steel Casework. Example LTF-2846-1-S

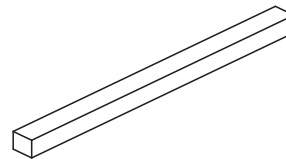
TABLE ASSEMBLIES

Table Leg Stretcher



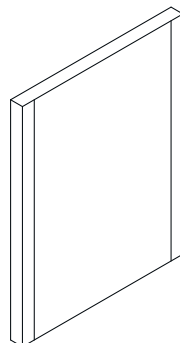
LS-24 LS-54
LS-30 LS-60
LS-36 LS-66
LS-42 LS-72
LS-48

Table Leg Rail



LR-22
LR-28
LR-34
LR-40
LR-46

Panel End Supports



Sitting - 28" High

GL-2822
GL-2828
GL-2829

ADA - 32" High

GA-3222
GA-3228
GA-3229

Standing - 35" High

GS-3522
GS-3528
GS-3529

Note : Add "-S" at the end of model number for Stainless Steel Casework. Example GL-2829-S

Features

All legs have adjustment bolts and plastic shoes.

Apron is 4 1/2" high.

3" casters optional.

Work surfaces not included.

Please Note: Dimensions shown are actual top sizes, table assembly is 1" less all around.



SAI SYSTEMS

Scientifically Advanced Interiors

Toll Free: (866) 527-2970

sales@saisns.com

www.saisns.com

BURNABY

TORONTO

HALIFAX