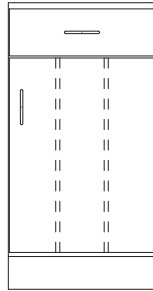


Wood Life Skills Furniture

Home Economics - Tray Storage



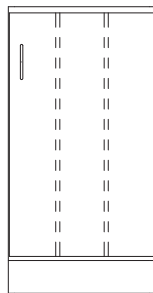
Equipment:

- (2) plywood dividers to provide storage for serving trays or cookie sheets

Catalog Number: 4012			
Dimensions of Components	Width	Height	Depth
Overall	12 3/8"	35"	22 1/2"

Catalog Number: 4014			
Same as 4012 except 15 5/16" wide			

Catalog Number: 4016			
Same as 4012 except 18" wide			



Equipment:

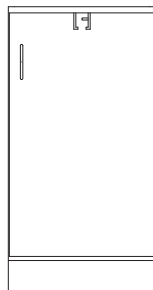
- (2) plywood dividers to provide storage for serving trays or cookie sheets

Catalog Number: 4022			
Dimensions of Components	Width	Height	Depth
Overall	12 3/8"	35"	22 1/2"

Catalog Number: 4024			
Same as 4022 except 15 5/16" wide			

Catalog Number: 4026			
Same as 4022 except 18" wide			

Home Economics - Pot & Pan Storage

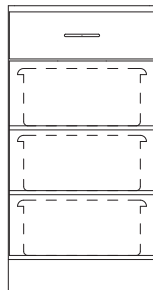


Equipment:

- (1) double-row pot and pan rack with 14 hooks
- Provides storage for any utensil with a handle

Catalog Number: 4032			
Dimensions of Components	Width	Height	Depth
Overall	18"	35"	22 1/2"

Home Economics - Vegetable Storage



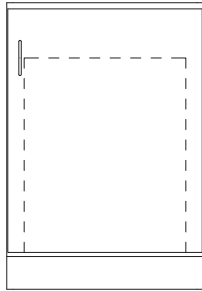
Equipment:

- (3) plastic vegetable trays
- Provides storage for dry vegetables

Catalog Number: 4034			
Dimensions of Components	Width	Height	Depth
Overall	12 3/8"	35"	22 1/2"

Catalog Number: 4036			
Same as 4034 except 18" wide			

Home Economics - Laundry Hamper Unit



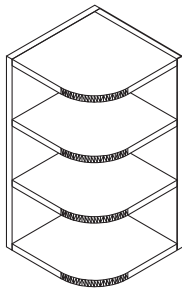
Equipment:

- (1) removable hamper for soiled aprons and towels

Catalog Number: 4048

Dimensions of Components	Width	Height	Depth
Overall	24"	35"	22 1/2"

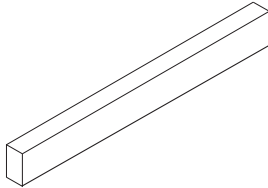
Home Economics - Quarter Round Shelf



Intended for use on wall case ends

Catalog Number	Width	Height	Type
7150	12"	31 1/4"	Right
7152	12"	31 1/4"	Left
7154	16"	31 1/4"	Right
7156	16"	31 1/4"	Left

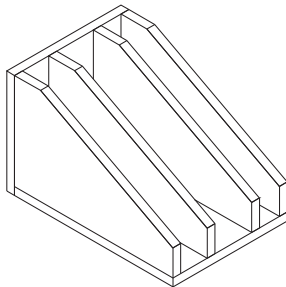
Home Economics - Straight Edge Valance



Constructed from 13/16" solid hardwood for use over sinks, ranges and refrigerators; 6" W - specify length.

Catalog Number: 7354

Home Economics - Tray and Pan Rack

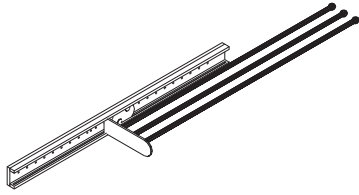


Constructed of 3/4" hardwood plywood. Joints are mortised tenoned, glued and screwed. (3) storage slots are each approximately 2 1/2" wide.

Catalog Number: 7340

Wood Life Skills Furniture

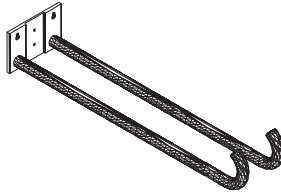
Home Economics - Towel Bar



Three prongs, pull out type.

Catalog Number: 7348

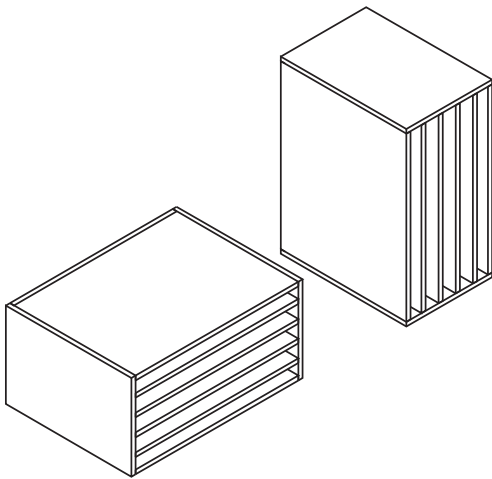
Home Economics - Utility Hook



Double prong hooks provide storage for mops, brooms, etc.

Catalog Number: 7350

Home Economics - Stackable Storage



Equipped with (5) compartments. Designed to accommodate materials up to 40" x 30". Can be 'stacked' horizontally or vertically to create a single storage unit or full wall of storage.

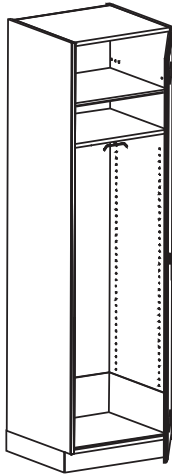
Catalog Number: 7377

Dimensions of Components	Width	Height	Depth
Overall	42 1/8"	21 1/16"	31"

Optional base/toe space unit for stackables. 3/4" x 4" hardwood plywood sized to form a 2 1/4" deep toe space. Specify length desired based on arrangement of stackables. (not shown)

Catalog Number: 7378

Cleaning Utensil Storage

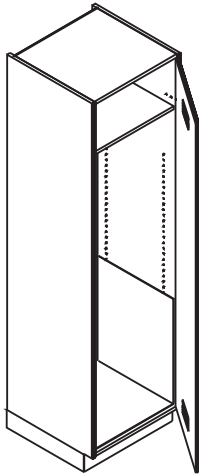


Equipment:

- (2) fixed shelves
- (4) hanger hooks
- 8" high white plastic laminate lining in bottom
- Vented door with 3-point latching system

Catalog Number: 7170

Dimensions of Components	Width	Height	Depth
Overall	24"	84"	22 1/2"

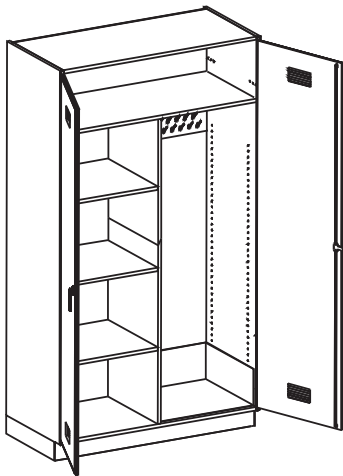


Equipment:

- 12" pegboard under fixed shelf
- 24" high white plastic laminate lining at bottom for protection from refuse container
- Vented door with 3-point latching system

Catalog Number: 7172

Dimensions of Components	Width	Height	Depth
Overall	24"	84"	22 1/2"



Equipment:

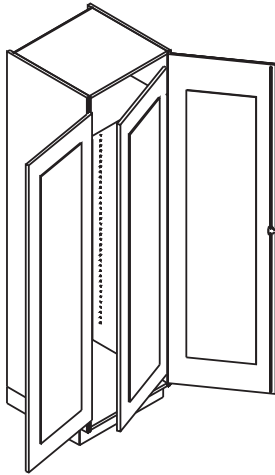
- (1) fixed shelf at top
- (3) adjustable shelves on left
- Tall storage on right provided with 12" pegboard at top
- 8" plastic laminate liner at bottom
- Vented doors with 3-point latching system

Catalog Number: 7192

Dimensions of Components	Width	Height	Depth
Overall	47 1/4"	84"	22 1/2"

Wood Life Skills Furniture

Triple Mirror Wardrobe

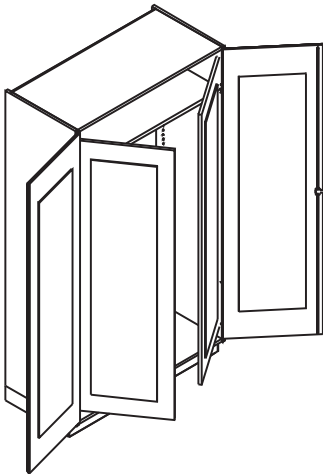


Equipment:

- (3) doors, each with a mirror
- (1) fixed hat shelf and hanger rod in space behind doors
- 3-point latching system

Catalog Number: 7176			
Dimensions of Components	Width	Height	Depth
Overall	24"	84"	22 1/2"

Four Mirror Wardrobe

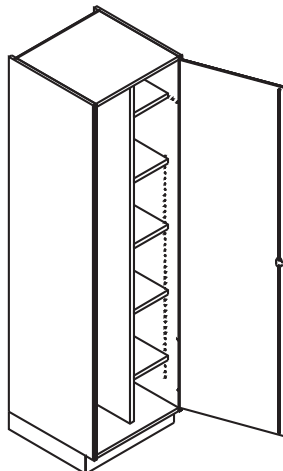


Equipment:

- (4) door, each with a mirror
- (1) fixed hat shelf and hanger rod provides wardrobe space behind the doors
- Doors have 3-point latching system

Catalog Number: 7196			
Dimensions of Components	Width	Height	Depth
Overall	47 1/4"	84"	22 1/2"

Ironing Board Storage

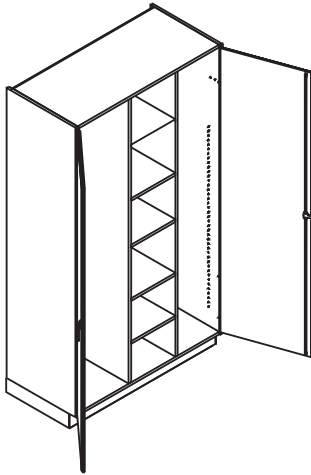


Equipment:

- (5) adjustable phenolic resin shelves for iron storage
- Space on opposite side for board storage
- 3-point latching system

Catalog Number: 7174			
Dimensions of Components	Width	Height	Depth
Overall	24"	84"	22 1/2"

Ironing Board Storage



Equipment:

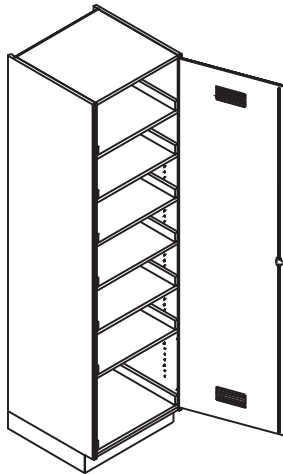
- (5) adjustable phenolic resin shelves for iron storage
- Space on each side for board storage
- Door has 3-point latching system

Catalog Number: 7194			
Dimensions of Components	Width	Height	Depth
Overall	47 1/4"	84"	22 1/2"

Catalog Number: 7194A

Same as 7194 except unit has (3) adjustable shelves in each of the (3) tiers. Shelves are 14 3/4" W x 19" D

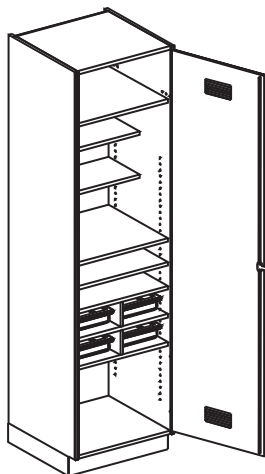
Food Staples Storage



Equipment:

- (7) pull out trays
- Vented door with 3-point latching system

Catalog Number: 7189			
Dimensions of Components	Width	Height	Depth
Overall	24"	84"	22 1/2"



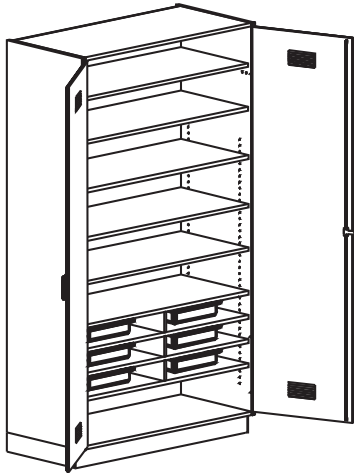
Equipment:

- (1) full depth, fixed shelf at top
- (2) half depth fixed shelves
- (1) full depth fixed shelf with (4) compartments for (4) #6344 plastic tote trays
- Open compartment at bottom
- Vented door with 3-point latching system

Catalog Number: 7190			
Dimensions of Components	Width	Height	Depth
Overall	24"	84"	22 1/2"

Wood Life Skills Furniture

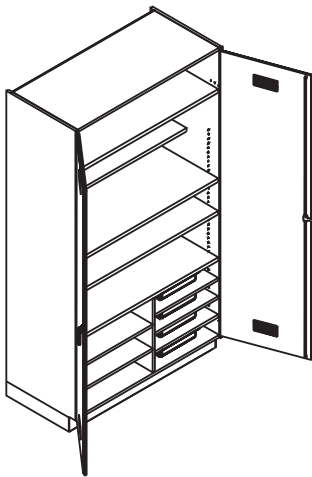
Food Staples Storage



Equipment:

- (5) adjustable shelves
- (6) compartments for #6346 plastic tote trays
- Vented doors with 3-point latching system

Catalog Number: 7191			
Dimensions of Components	Width	Height	Depth
Overall	35 1/4"	84"	22 1/2"

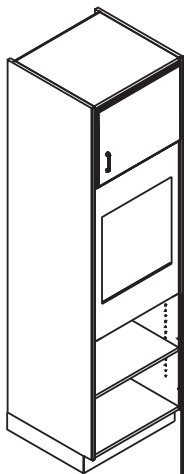


Equipment:

- (1) full depth fixed shelf at top
- (1) fixed shelf above (4) vegetable trays on right
- (2) adjustable shelves on left
- (2) partial depth fixed shelves and (2) full depth adjustable shelves
- Vented doors with 3-point latching system

Catalog Number: 7198			
Dimensions of Components	Width	Height	Depth
Overall	47 1/4"	84"	22 1/2"

Oven Case



Equipment:

- Cupboards above and below oven opening
- (1) adjustable shelf in lower cupboard
- Opening is designed to be cut-in-field for proper fit of brand and model of oven selected

Catalog Number: 7180			
Dimensions of Components	Width	Height	Depth
Overall	24"	84"	24"

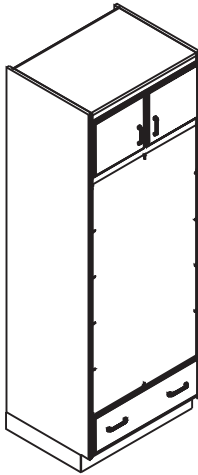
Catalog Number: 7182

Same as 7180 except 27" wide and each cupboard has double doors

Catalog Number: 7184

Same as 7180 except 35 1/4" wide and each cupboard has double doors

Oven Case for Two Ovens



Equipment:

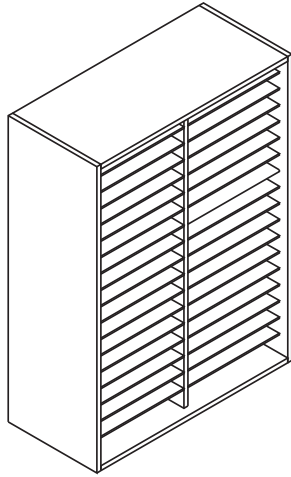
- Double door cupboard at top and drawer storage below
- 3/4" plywood panel to accommodate (2) built-in ovens
- Openings are cut at the job site to fit the brand and model of units selected
- Maximum cutout opening is 24" W x 21" H for each oven
- Behind the plywood cutout panel, oak rails are provided for mounting the oven inserts

Catalog Number: 7185

Dimensions of Components	Width	Height	Depth
Overall	30"	84"	24"
Cupboard (I.D.)	28 1/2"	14 1/4"	22 1/4"
Drawer (I.D.)	26 1/2"	8 1/2"	17"

Wood Life Skills Furniture

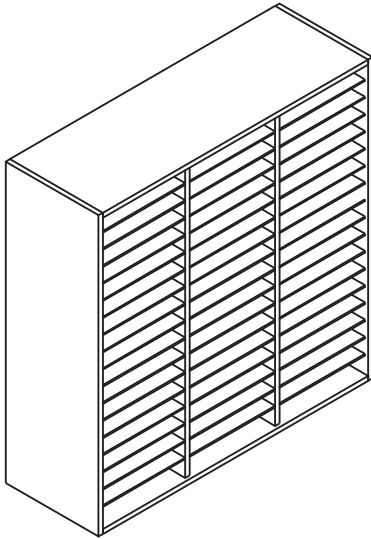
Hutch Folio Storage



Capacity: 36 compartments

Catalog Number: 7840			
Dimensions of Components	Width	Height	Depth
Overall	35 1/4"	48"	16"

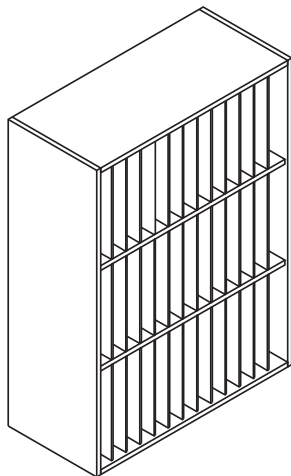
Catalog Number: 7842			
Same as 7840 except with wood hinged doors			



Capacity: 54 compartments

Catalog Number: 7844			
Dimensions of Components	Width	Height	Depth
Overall	47 1/4"	48"	16"

Catalog Number: 7846			
Same as 7844 except with wood hinged doors			

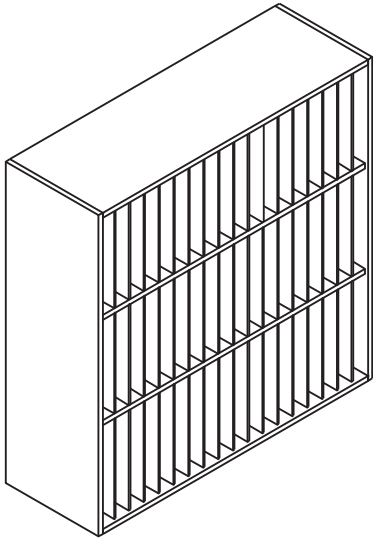


Capacity: 39 compartments

Catalog Number: 7848			
Dimensions of Components	Width	Height	Depth
Overall	35 1/4"	48"	16"

Catalog Number: 7850			
Same as 7848 except with wood hinged doors			

Hutch Folio Storage

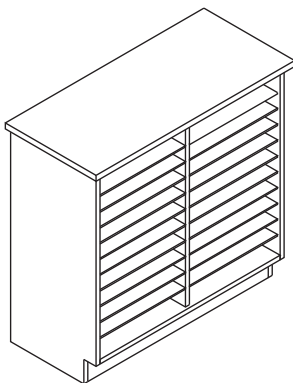


Capacity: 54 compartments

Catalog Number: 7852			
Dimensions of Components	Width	Height	Depth
Overall	47 1/4"	48"	16"

Catalog Number: 7854			
Same as 7852 except with wood hinged doors			

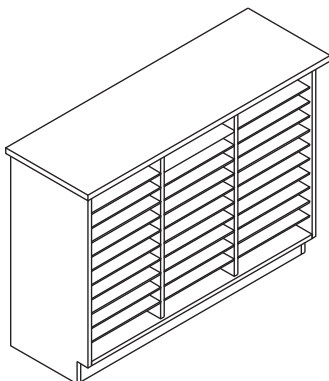
Base Folio Storage



Capacity: 22 compartments

Catalog Number: 7860			
Dimensions of Components	Width	Height	Depth
Overall	35 1/4"	35"	16"

Catalog Number: 7862			
Same as 7860 except with wood hinged doors			



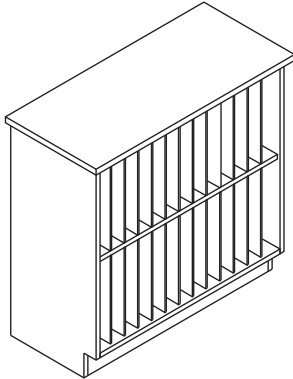
Capacity: 33 compartments

Catalog Number: 7864			
Dimensions of Components	Width	Height	Depth
Overall	47 1/4"	35"	16"

Catalog Number: 7866			
Same as 7864 except with wood hinged doors			

Wood Life Skills Furniture

Base Folio Storage

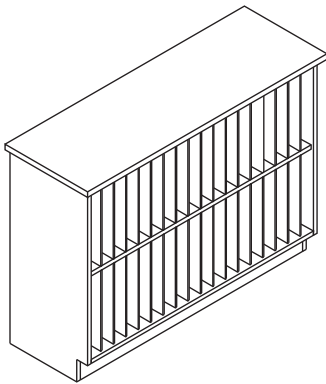


Capacity: 22 compartments

Catalog Number: 7868			
Dimensions of Components	Width	Height	Depth
Overall	35 1/4"	35"	16"

Catalog Number: 7870

Same as 7868 except with wood hinged doors



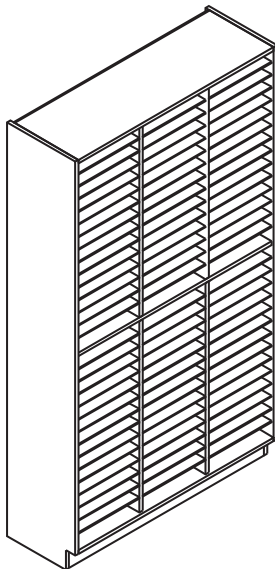
Capacity: 36 compartments

Catalog Number: 7872			
Dimensions of Components	Width	Height	Depth
Overall	47 1/4"	35"	16"

Catalog Number: 7874

Same as 7872 except with wood hinged doors

Tall Folio Storage



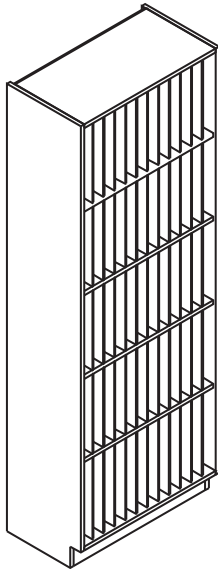
Capacity: 90 compartments

Catalog Number: 7884			
Dimensions of Components	Width	Height	Depth
Overall	47 1/4"	84"	16"

Catalog Number: 7886

Same as 7884 except with wood hinged doors

Tall Folio Storage

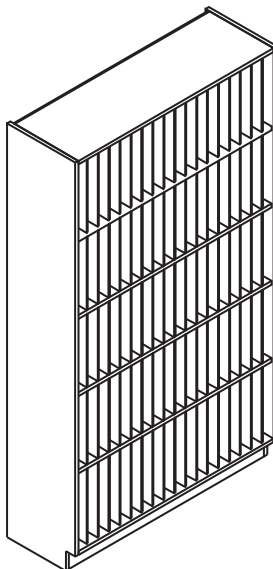


Capacity: 60 compartments

Catalog Number: 7888			
Dimensions of Components	Width	Height	Depth
Overall	30"	84"	16"

Catalog Number: 7890

Same as 7888 except with wood hinged doors



Capacity: 90 compartments

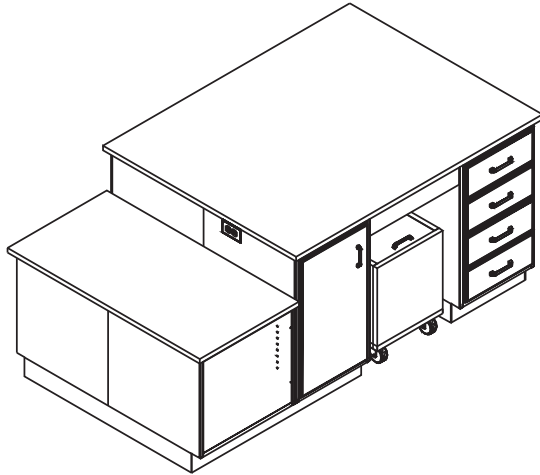
Catalog Number: 7892			
Dimensions of Components	Width	Height	Depth
Overall	47 1/4"	84"	16"

Catalog Number: 7894

Same as 7892 except with wood hinged doors



Ceramics Island



Assembly provides cupboard and drawer storage spaces and bases for potters wheel

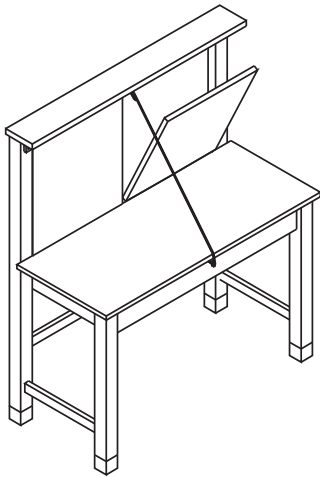
Equipment:

- (2) 24" W x 25" H open base units for potters wheel
- (2) 18" W x 35" H base cupboards, each with (1) adjustable shelf
- (2) 18" W x 35" H base cabinets, each with (4) drawers
- (2) 22" W apron rails
- (1) AC duplex receptacle
- (2) #7262 clay bins
- Work surface is 1" thick Rheatex

Catalog Number: 7250

Dimensions of Components	Width	Height	Depth
Overall	84"	36"	48"
Upper Section	60"	36"	48"
Lower Section	25"	26"	48"

Two Student Wedging Station



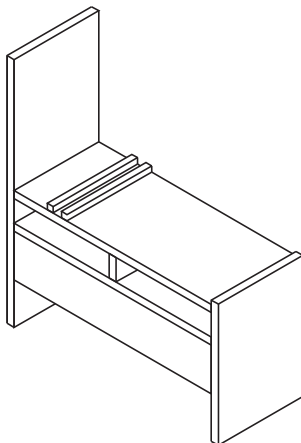
Equipment:

- Unit has solid oak through bolted frame
- Stainless steel wire for cutting clay
- Work surface is 1 1/4" Rhearesin
- Hinged, drop down secondary tops are of 1 1/4" Rheatex
- Shelf across top edge of back is 1 1/4" Rheatex

Catalog Number: 7251

Dimensions of Components	Width	Height	Depth
Overall	48"	36 1/4"	25 5/16"
Shelf	48"	-	7"
Back	-	64 3/4"	-

Art Horse



Equipment:

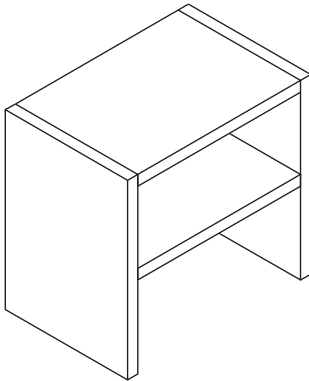
- (2) cleats for holding paintings
- Storage shelf below
- (4) plastic glides

Catalog Number: 7264

Dimensions of Components	Width	Height	Depth
Overall	30"	12"	33"

Wood Art & Craft Furniture

Art Bench



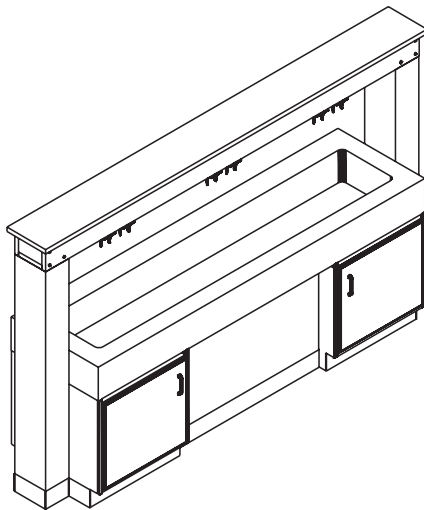
Equipment:

- Storage shelf below
- (4) adjustable plastic glides

Catalog Number: 7266

Dimensions of Components	Width	Height	Depth
Overall	17"	12"	17"

Island Sink Assembly



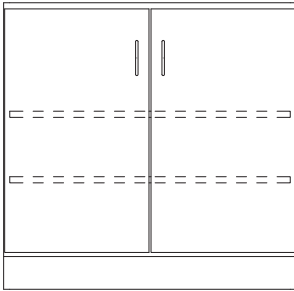
Equipment:

- Oak pipe support rack has Rheutex shelf and (6) #9426 cold water faucets
- Base unit has (2) removable wood access panels
- Stainless steel sink has bottom that slopes to drain and is 16 gauge type 304 stainless steel with stainless steel outlet and basket strainer and tailpiece
- Exposed surfaces are polished to #4 finish

Catalog Number: 7290

Dimensions of Components	Width	Height	Depth
Overall	74"	36 1/4"	24"
(2) Base Cabinet (O.D.)	18"	25"	22 1/2"
Pipe Support Rack	89"	54"	8"
Stainless Sink (O.D.)	75"	-	24"
Sink Depth: 7 1/2"			

Damp Storage

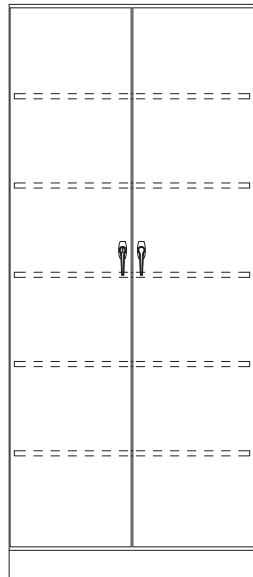


Equipment:

- (2) adjustable black expanded metal shelves
- (1) removable galvanized drip pan in bottom
- Interior is completely lined with galvanized metal

Catalog Number: 3950			
Dimensions of Components	Width	Height	Depth
Overall	35 1/4"	35"	22 1/2"

Catalog Number: 3952
Same as 3950 except 47 1/4" wide



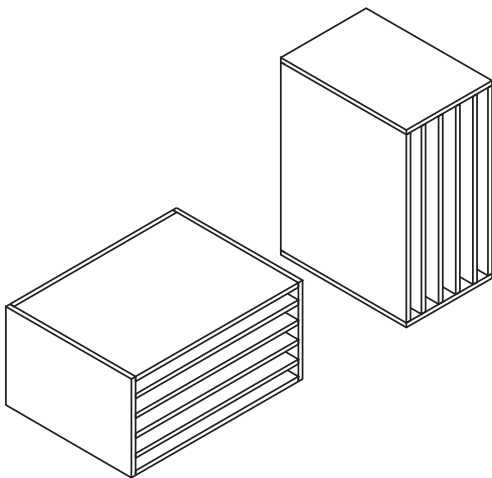
Equipment:

- (5) adjustable metal shelves
- (1) removable galvanized drip pan at bottom

Catalog Number: 8143			
Dimensions of Components	Width	Height	Depth
Overall	35 1/4"	84"	22 1/2"

Catalog Number: 8145
Same as 8143 except 47 1/4" wide

Stackable Storage



Equipment:

- (5) compartments
- Designed to accommodate materials up to 40" x 30"
- Can be stacked horizontally or vertically to create a single storage unit or full wall of storage

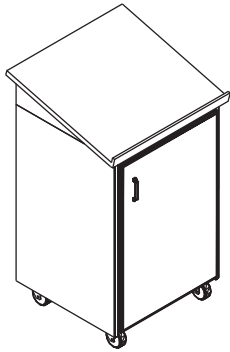
Catalog Number: 7377			
Dimensions of Components	Width	Height	Depth
Overall	42 1/8"	21 1/16"	31"

Optional base/toe space unit for stackables. 3/4" x 4" hardwood plywood sized to form a 2 1/4" deep toe space. Specify length desired based on arrangement of stackables.

Catalog Number: 7378

Wood Music Furniture

Director's Lectern



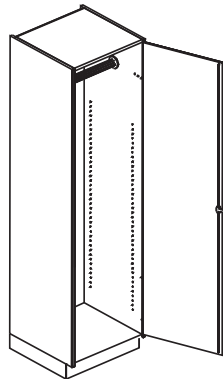
Equipment:

- Cupboard equipped with (2) adjustable shelves
- (4) heavy duty casters: (2) rigid and (2) swivel with locks
- Sloping top with pencil stop is 3/4" thick Rheutex

Catalog Number: 7720

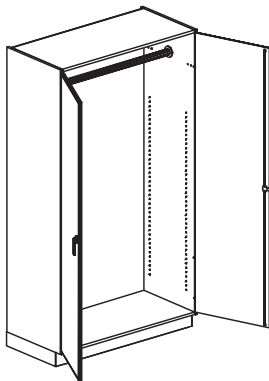
Dimensions of Components	Width	Height	Depth
Overall	24"	41 3/4"	24"

Robe Storage



- **Robe Storage:** One hanger rod

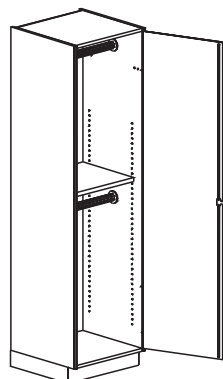
Catalog Number	Width	Height	Depth
7900	18"	84"	22 1/2"
7902	24"	84"	22 1/2"



- **Robe Storage:** One hanger rod

Catalog Number	Width	Height	Depth
7904	30"	84"	22 1/2"
7906	35 1/4"	84"	22 1/2"
7908	41 1/4"	84"	22 1/2"
7910	47 1/4"	84"	22 1/2"

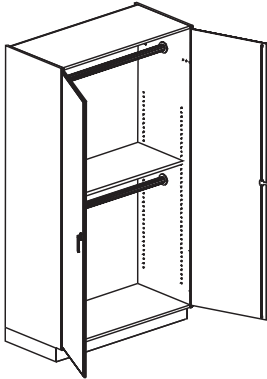
Uniform Storage



- **Uniform Storage:** Two hanger rods. One fixed shelf.

Catalog Number	Width	Height	Depth
7912	18"	84"	22 1/2"
7914	24"	84"	22 1/2"

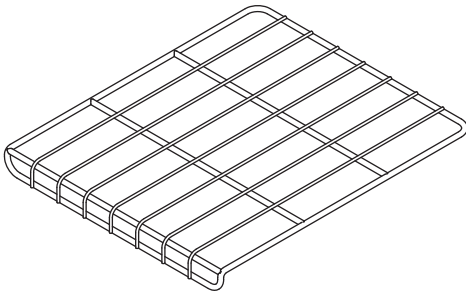
Uniform Storage



- **Uniform Storage:** Two hanger rods. One fixed shelf.

Catalog Number	Width	Height	Depth
7916	30"	84"	22 1/2"
7918	35 1/4"	84"	22 1/2"
7920	41 1/4"	84"	22 1/2"
7922	47 1/4"	84"	22 1/2"

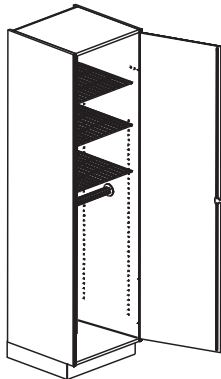
Wire Shelves



- Constructed of 20 ga. steel with black epoxy powder
- Surface perforated with 1/4" holes

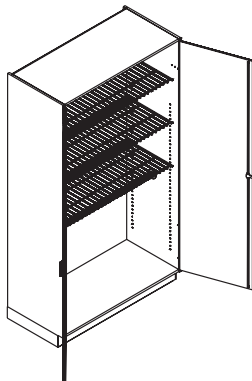
Catalog Number	Width	Depth
7923-18	16 5/16"	19 1/4"
7923-24	22 5/16"	19 1/4"
7923-30	28 5/16"	19 1/4"
7923-35-1/4	33 5/16"	19 1/4"
7923-41-1/4	39 9/16"	19 1/4"
7923-47-1/4	45 9/16"	19 1/4"

Hat and Uniform Storage



- **Hat and Uniform Storage:** One hanger rod. Three wire shelves.

Catalog Number	Width	Height	Depth
7924	18"	84"	22 1/2"
7926	24"	84"	22 1/2"

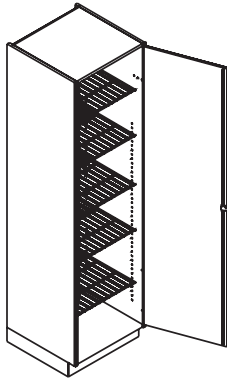


- **Hat and Uniform Storage:** One hanger rod. Three wire shelves.

Catalog Number	Width	Height	Depth
7928	30"	84"	22 1/2"
7930	35 1/4"	84"	22 1/2"
7932	41 1/4"	84"	22 1/2"
7934	47 1/4"	84"	22 1/2"

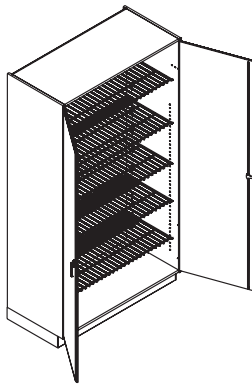
Wood Music Furniture

Hat Storage



- **Hat Storage:** Five wire shelves

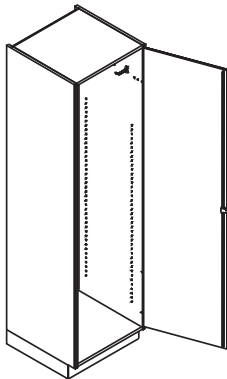
Catalog Number	Width	Height	Depth
7936	18"	84"	22 1/2"
7938	24"	84"	22 1/2"



- **Hat Storage:** Five wire shelves

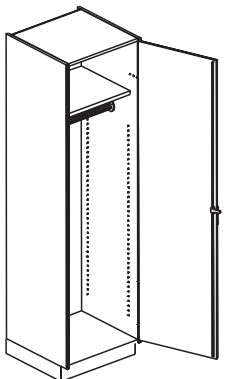
Catalog Number	Width	Height	Depth
7940	30"	84"	22 1/2"
7942	35 1/4"	84"	22 1/2"
7944	41 1/4"	84"	22 1/2"
7946	47 1/4"	84"	22 1/2"

Uniform, Hat, Flag/Banner & Robe Storage



- (1) support bracket on each side
- Ribbed rubber floor mat.

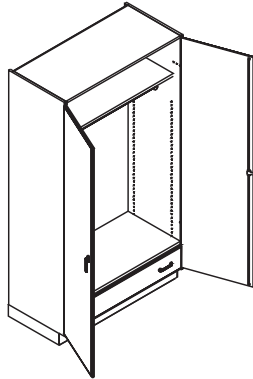
Catalog Number	Width	Height	Depth
7948	30"	84"	22 1/2"



- One fixed shelf
- One hanger rod

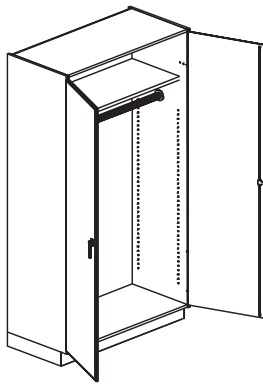
Catalog Number	Width	Height	Depth
8300	18"	84"	22 1/2"
8302	24"	84"	22 1/2"

Uniform, Hat, Flag/Banner & Robe Storage



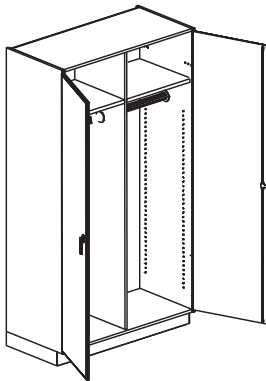
- (1) fixed shelf
- (1) hanger rod
- (1) full width drawer

Catalog Number	Width	Height	Depth
8314	35 1/4"	84"	22 1/2"
8316	41 1/4"	84"	22 1/2"
8318	47 1/4"	84"	22 1/2"



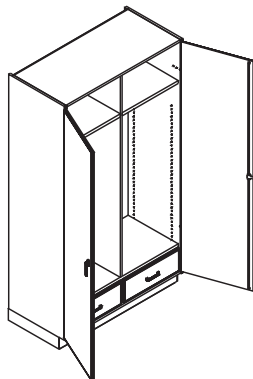
- (1) fixed shelf
- (1) hanger rod

Catalog Number	Width	Height	Depth
8304	35 1/4"	84"	22 1/2"
8306	41 1/4"	84"	22 1/2"
8308	47 1/4"	84"	22 1/2"



- (2) individual compartments
- (2) fixed shelves
- (2) hanger rods

Catalog Number	Width	Height	Depth
8320	35 1/4"	84"	22 1/2"
8322	41 1/4"	84"	22 1/2"
8324	47 1/4"	84"	22 1/2"

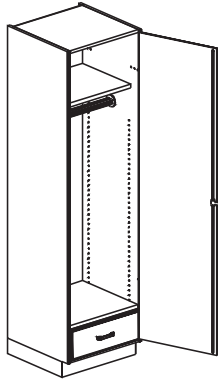


- (2) individual compartments
- (2) fixed shelves
- (2) hanger rods
- (2) half-width drawers

Catalog Number	Width	Height	Depth
8326	35 1/4"	84"	22 1/2"
8328	41 1/4"	84"	22 1/2"
8330	47 1/4"	84"	22 1/2"

Wood Music Furniture

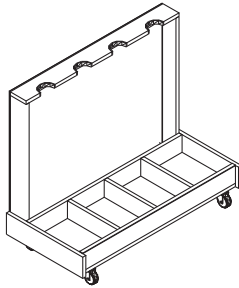
Uniform, Hat, Flag/Banner & Robe Storage



- (1) fixed shelf
- (1) hanger rod
- (1) full-width drawer

Catalog Number	Width	Height	Depth
8310	18"	84"	22 1/2"
8312	24"	84"	22 1/2"

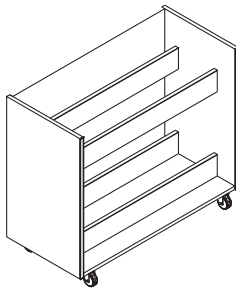
Cello Rack



- Accommodates (4) cellos
- Each point where cello rests is padded
- (4) casters with locks

Catalog Number: 8071			
Dimensions of Components	Width	Height	Depth
Overall	52"	44"	24"

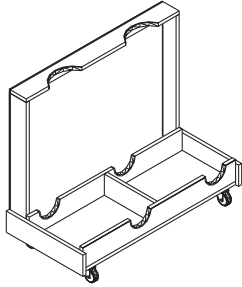
Snare Drum Rack



- Upper and lower sections accommodate (4) snare drums
- Edges are padded
- (4) casters with locks

Catalog Number: 8073			
Dimensions of Components	Width	Height	Depth
Overall	52"	44"	12 3/4"

Sousaphone Rack

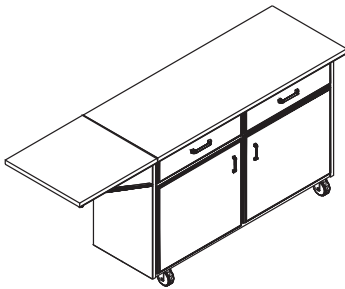


- Designed to hold (2) sousaphones
- (4) casters with locks

Catalog Number: 8075

Dimensions of Components	Width	Height	Depth
Overall	52"	44"	24"

Percussion Accessory Storage



- (1) adjustable shelf
- (4) heavy duty casters: (2) rigid and (2) swivel with locks
- Top and drop leaf are 1" thick Rheatex

Catalog Number: 7704

Dimensions of Components	Width	Height	Depth
Overall	65 1/4"	36 3/4"	24"
Base Cabinet	47 1/4"	-	21"
Drop leaf	16"	-	-

Wood Music Furniture

Instrument Storage

Instrument storage cases are constructed of particle board panels with all interior faces, exposed or unexposed, and all unexposed exterior faces, frosty white. All exposed exterior faces are vertical grade, high pressure plastic laminate in the specified pattern or color. Top panels are 1" thick, backs 1/4" thick, and all other panels 3/4" thick. Leading edges of all interior dividers are protected with anodized aluminum channel. Exposed edges of top, bottom and end panels are edge banded with black 3mm PVC. The 1/4" thick back is recessed 1", let into routed end panels. Case is further reinforced with 3/4" x 4" cross rails on the back side, at the top, and center.

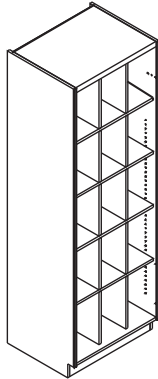
Full doors, when specified, have squared edges without profiling, and overlap the face of the cabinet, exposing a full 3/4" thick material with black 3mm PVC applied to all four edges. Doors are 3/4" thick particle board with vertical grade high pressure plastic laminate on both faces. Doors are equipped with a 3-point latching, or locking system.

Steel doors, when specified, are 18 ga. welded construction with 1/2" diameter perforations, and equipped with a 4" black plastic semi-recessed pull. Hinges are continuous type with one wing welded to the door frame. Each door is provided with padlock eyes and a 3/4" x 3" name plate. Finish is textured slate gray.

If Solid Oak Instrument Storage Casework is desired: Refer to our CampbellRhea wood casework specifications for construction details. Use given Instrument Storage Casework catalog numbers, and add suffix "-w". Example: 7950-W. Grille doors can be furnished as described above.

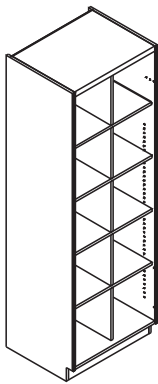
30" Depth Unit Compartment Depth is 28 5/8"				40 1/8" Depth Unit Compartment Depth is 38 3/4"			
Type	Width	Height	Recommended Usage	Type	Width	Height	Recommended Usage
A	5 3/4"	15 1/32"	E-Flat & B-Flat Clarinets, Piccolo, Flute, Soprano	A	5 3/4"	15 1/32"	Bassoon
B	9"	15 1/32"	Saxophone, Oboe, English Horn, Cornet, Trumpet, Alto Saxophone	B	9"	15 1/32"	Alto & Bass Clarinets, Tenor Saxophone, Viola, Violin
C	12 1/4"	15 1/32"	Miscellaneous Equipment & Instruments listed under A & B	C	12 1/4"	12 1/4"	Trombone
D	18 3/4"	25 9/16"	Alto Horn, French Horn, Mellophone, Snare Drum, Field Drum	D	18 3/4"	18 3/4"	Baritone Horn, Mellphonium Valve Trombone
E	18 3/4"	46 1/8"	Bass Drum 14" x 28", Guitar, Bass Trombone	E	18 3/4"	46 1/8"	Bass Drum 16" x 36"
F	18 3/4"	62 3/8"	Cello Baritone, Saxophone, Bass Saxophone	F	18 3/4"	62 3/8"	Cello, Baritone Saxophone, Bass Saxophone
G	18 3/4"	78 1/4"	Bass Violin	G	18 3/4"	78 1/4"	Bass Violin
H	18 3/4"	15 1/32"	Miscellaneous	H	18 3/4"	15 1/32"	Miscellaneous

Instrument Storage



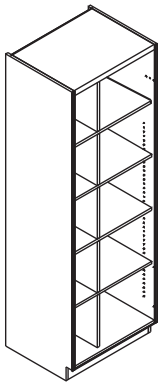
- (15) Type A Compartments

Catalog Number	Door Type	Width	Height	Depth
7950	No Door	20 1/4"	84"	30"
7952	Full Door	20 1/4"	84"	30"
7954	Steel Door	20 1/4"	84"	30"
7956	No Door	20 1/4"	84"	40 1/8"
7958	Full Door	20 1/4"	84"	40 1/8"
7960	Steel Door	20 1/4"	84"	40 1/8"



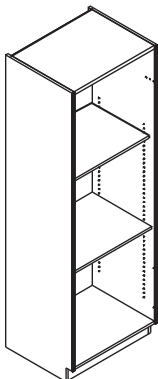
- (10) Type B Compartments

Catalog Number	Door Type	Width	Height	Depth
7962	No Door	20 1/4"	84"	30"
7964	Full Door	20 1/4"	84"	30"
7966	Steel Door	20 1/4"	84"	30"
7968	No Door	20 1/4"	84"	40 1/8"
7970	Full Door	20 1/4"	84"	40 1/8"
7972	Steel Door	20 1/4"	84"	40 1/8"



- (5) Type A Compartments
- (5) Type C Compartments

Catalog Number	Door Type	Width	Height	Depth
7974	No Door	20 1/4"	84"	30"
7976	Full Door	20 1/4"	84"	30"
7978	Steel Door	20 1/4"	84"	30"
7980	No Door	20 1/4"	84"	40 1/8"
7982	Full Door	20 1/4"	84"	40 1/8"
7984	Steel Door	20 1/4"	84"	40 1/8"

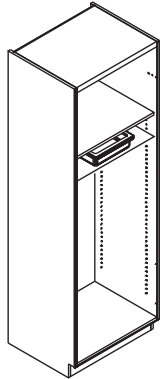


- (3) Type D Compartments

Catalog Number	Door Type	Width	Height	Depth
7986	No Door	20 1/4"	84"	30"
7988	Full Door	20 1/4"	84"	30"
7990	Steel Door	20 1/4"	84"	30"
7992	No Door	20 1/4"	84"	40 1/8"
7994	Full Door	20 1/4"	84"	40 1/8"
7996	Steel Door	20 1/4"	84"	40 1/8"

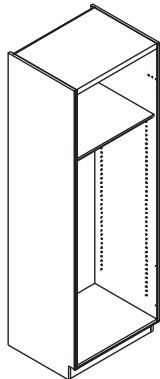
Wood Music Furniture

Instrument Storage



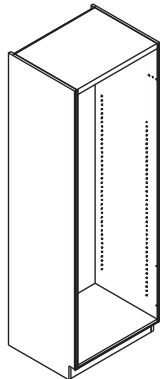
- (1) Type D Compartment
- (1) Type E Compartment
- (1) 6346 Tote Tray included

Catalog Number	Door Type	Width	Height	Depth
7998	No Door	20 1/4"	84"	30"
8000	Full Door	20 1/4"	84"	30"
8002	Steel Door	20 1/4"	84"	30"
8004	No Door	20 1/4"	84"	40 1/8"
8006	Full Door	20 1/4"	84"	40 1/8"
8009	Steel Door	20 1/4"	84"	40 1/8"



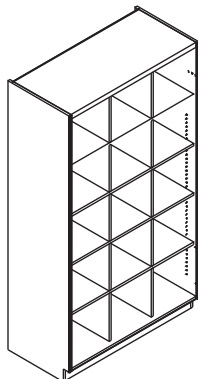
- (1) Type H Compartment
- (1) Type F Compartment
- Miscellaneous compartment has a ribbed rubber mat

Catalog Number	Door Type	Width	Height	Depth
8010	No Door	20 1/4"	84"	30"
8012	Full Door	20 1/4"	84"	30"
8014	Steel Door	20 1/4"	84"	30"
8016	No Door	20 1/4"	84"	40 1/8"
8018	Full Door	20 1/4"	84"	40 1/8"
8020	Steel Door	20 1/4"	84"	40 1/8"



- (1) Type G Compartment
- Compartment has ribbed rubber mat

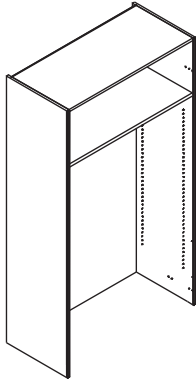
Catalog Number	Door Type	Width	Height	Depth
8022	No Door	20 1/4"	84"	30"
8024	Full Door	20 1/4"	84"	30"
8028	No Door	20 1/4"	84"	40 1/8"
8030	Full Door	20 1/4"	84"	40 1/8"



- (15) Type C Compartment

Catalog Number	Door Type	Width	Height	Depth
8034	No Doors	39 3/4"	84"	30"
8036	Full Doors	39 3/4"	84"	30"
8038	Steel Doors	39 3/4"	84"	30"
8040	No Doors	39 3/4"	84"	40 1/8"
8042	Full Doors	39 3/4"	84"	40 1/8"
8044	Steel Doors	39 3/4"	84"	40 1/8"

Instrument Storage

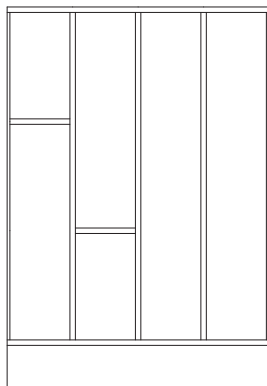
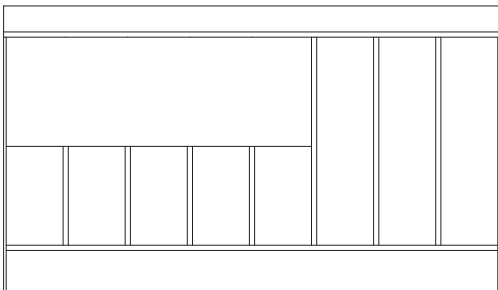
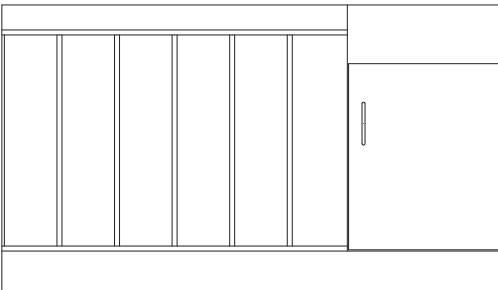
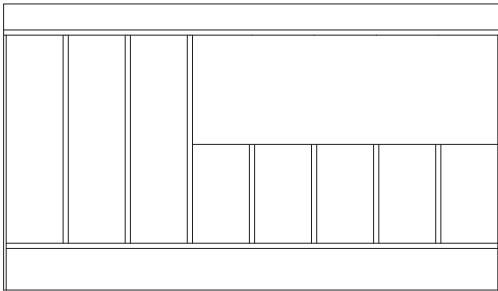
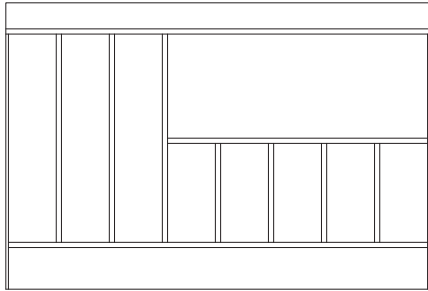


- (2) Compartments

Catalog Number	Door Type	Width	Height	Depth
8046	No Door	47 1/4"	84"	30"
8048	Full Door	47 1/4"	84"	30"
8050	No Door	47 1/4"	84"	40 1/8"
8052	Full Door	47 1/4"	84"	40 1/8"

Wood Vocational Furniture

Darkroom Cabinet



- Has removable 3/4" plywood dividers

Catalog Number: 3917			
Dimensions of Components	Width	Height	Depth
Overall	40 3/4"	27 1/2"	22 1/2"
(3) Compartments	4 3/16"	20"	18 3/4"
(5) Compartments	4 3/16"	9 5/8"	18 3/4"

- Has removable 3/4" plywood dividers

Catalog Number: 3919			
Dimensions of Components	Width	Height	Depth
Overall	47 3/4"	27 1/2"	28 1/2"
(3) Compartments	5 1/16"	20"	18 3/4"
(5) Compartments	5 1/16"	9 5/8"	18 3/4"

Catalog Number: 3920
Same as 3919 except dividers are removed and unit has (2) hinged doors

- Has removable 3/4" plywood dividers

Catalog Number: 3921			
Dimensions of Components	Width	Height	Depth
Overall	49 7/8"	28 5/8"	22 1/2"
(6) Compartments	4 7/8"	21 1/8"	20 3/4"
(1) Sink Cabinet	15 5/16"	-	22 1/2"

- Has removable 3/4" plywood dividers

Catalog Number: 3923			
Dimensions of Components	Width	Height	Depth
Overall	47 3/4"	27 1/2"	28 1/2"
(3) Compartments	5 1/16"	20"	18 3/4"
(5) Compartments	5 1/16"	9 5/8"	18 3/4"

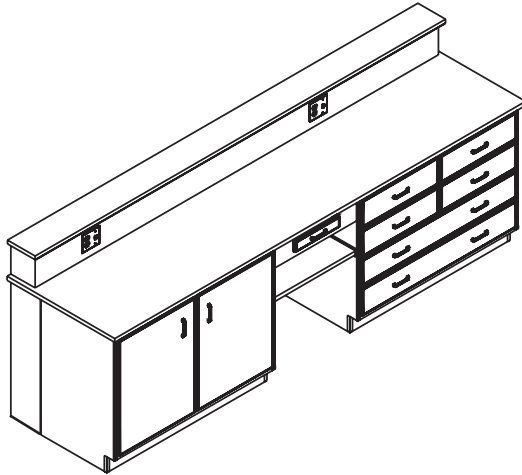
- Has removable 3/4" plywood dividers

Catalog Number: 3923			
Dimensions of Components	Width	Height	Depth
Overall	24"	35"	22 1/2"
(2) Compartments	5 1/16"	29 1/14"	21 1/4"
(2) Compartments	5 1/16"	14 1/4"	21 1/4"
(1) Compartment	5 1/16"	9 1/2"	21 1/4"
(1) Compartment	5 1/16"	19"	21 1/4"

Catalog Number: 3927
Same as 3925 except opposite hand

Wood Vocational Furniture

Printing Table



Equipment:

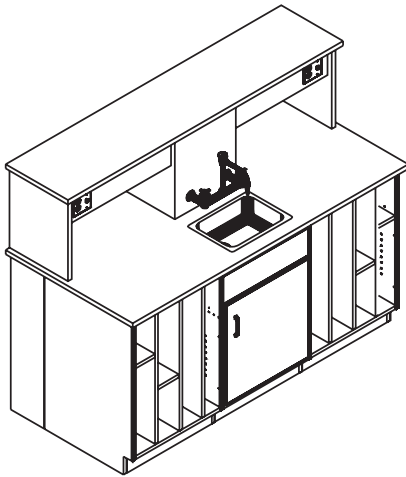
- (2) duplex AC receptacles with switches
- (1) sliding shelf in kneespace
- (1) full depth adjustable shelf in cupboard
- Top, fixture panel and shelf are 1" thick - material to be specified

Note: Traps, drain lines, service piping and electric conduit are not included.

Catalog Number: 6612

Dimensions of Components	Width	Height	Depth
Overall	96"	36"	30"
(2) Base Cabinets (O.D.)	35 1/4"	35"	28 3/4"
Cupboard (I.D.)	33 3/4"	29 1/4"	26 3/4"
(4) Drawers (I.D.)	14 1/2"	6"	17"
(2) Drawers (I.D.)	31 3/4"	6"	17"
(1) Drawer (I.D.)	13"	2 1/4"	15"
Fixture Panel & Shelf	96"	5 1/2"	8"

Photography Sink and Storage



Equipment:

- (1) combination hot and cold water gooseneck faucet
- (1) each amber and red safe light with switch behind fixture panel
- (2) duplex AC receptacles with switches
- (1) epoxy resin sink
- (1) polypropylene sink outlet with 6" polypropylene overflow
- Top, fixture panel and ledge cap are 1" thick Rhearock unless specified

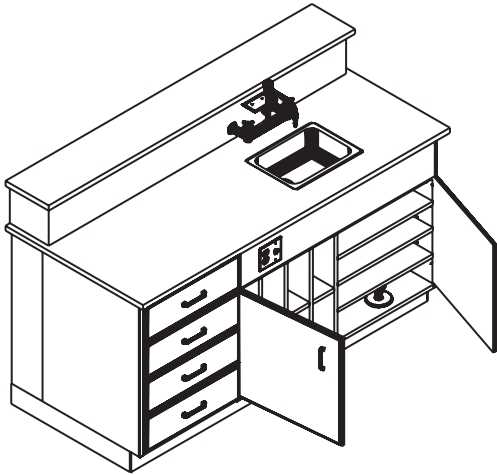
Note: Traps, drain lines, service piping and electric conduit are not included.

Catalog Number: 6614

Dimensions of Components	Width	Height	Depth
Overall	72"	36"	30"
(2) Base Cabinets (O.D.)	24"	35"	22 1/2"
(1) Sink Cabinet (O.D.)	21"	35"	22 1/2"
Cupboard (I.D.)	19 1/2"	21 3/4"	20 3/4"
(2) Tray Compartments (I.D.)	5 1/16"	9 1/2"	21 1/4"
(2) Tray Compartments (I.D.)	5 1/16"	19"	21 1/4"
(4) Tray Compartments (I.D.)	5 1/16"	14 1/4"	21 1/4"
(4) Tray Compartments (I.D.)	5 1/16"	29 1/4"	21 1/4"
Fixture Panel & Shelf	72"	18"	10 1/2"
Sink Depth	8"	-	12"

Wood Vocational Furniture

Photography Sink and Storage



Equipment:

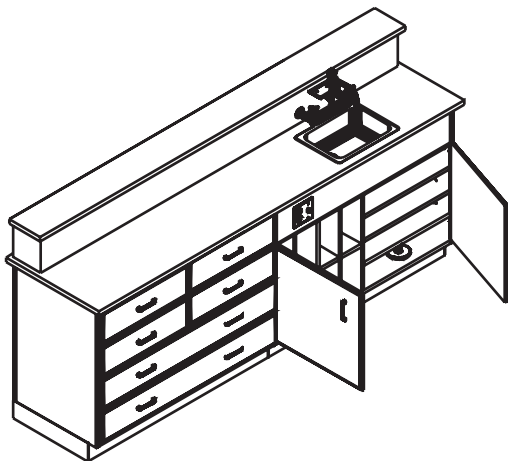
- (1) combination hot and cold water swing spout mixing faucet with soap dish
- (1) duplex AC receptacle
- (1) drying light and switch
- (1) epoxy resin sink
- (1) polypropylene sink outlet with 6" polypropylene beehive overflow
- (3) adjustable print drying frames
- Top, fixture panel and shelf are 1" thick Rhearock unless specified

Note: Traps, drain lines, service piping and electric conduit are not included.

Catalog Number: 6616

Dimensions of Components	Width	Height	Depth
Overall	61"	36"	30"
(1) Base Cabinet (O.D.)	24"	35"	28 3/4"
(1) Base Cabinet (O.D.)	35 1/4"	35"	28 3/4"
(4) Drawers (I.D.)	20 1/2"	6"	17"
(2) Tray Compartments (I.D.)	3 3/8"	18 3/4"	14 1/2"
(4) Tray Compartments (I.D.)	3 3/8"	9"	14 1/2"
(1) Drying Compartment (I.D.)	14 3/4"	20 1/4"	14 1/2"
Fixture Panel & Shelf	61"	8"	5 1/2"
Sink Depth	8 3/4"	-	20"

Developing Table



Equipment:

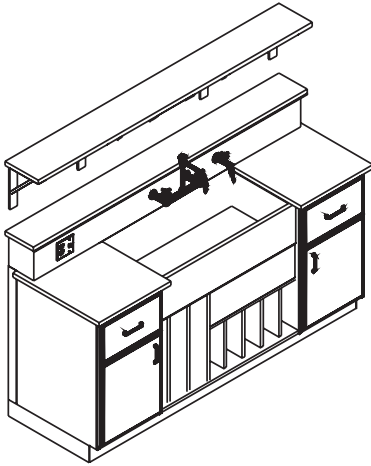
- (1) combination hot and cold water swing spout mixing faucet with soap dish
- (1) duplex AC receptacle
- (1) drying light and switch
- (1) epoxy resin sink
- (1) polypropylene sink outlet with 6" polypropylene overflow
- (3) adjustable print drying frames
- Top, fixture panel and shelf are 1" thick Rhearock unless specified

Note: Traps, drain lines, service piping and electric conduit are not included.

Catalog Number: 6618

Dimensions of Components	Width	Height	Depth
Overall	72"	36"	30"
(1) Base Cabinet (O.D.)	35 1/4"	35"	28 3/4"
(1) Base Cabinet (O.D.)	35 1/4"	35"	28 3/4"
(4) Drawers (I.D.)	14 1/2"	6"	17"
(2) Drawers (I.D.)	31 3/4"	6"	17"
(2) Tray Compartments (I.D.)	3 3/8"	18 3/4"	14 1/2"
(4) Tray Compartments (I.D.)	3 3/8"	9"	14 1/2"
(1) Drying Compartment (I.D.)	14 3/4"	20 1/4"	14 1/2"
Fixture Panel & Shelf	72"	8"	5 1/2"
Sink	8 3/4"	-	20"

Developing Table



Equipment:

- (1) combination hot and cold water gooseneck faucet
- (1) cold water bibb faucet
- (1) duplex AC receptacle with switch
- (1) epoxy resin sink
- (1) polypropylene sink outlet with 4" polypropylene overflow
- (2) full depth adjustable shelves
- (1) wall shelf with (3) graduated racks
- Top, fixture panel and shelf are 1" thick Rhearock unless specified
- Wall shelf is 1" thick phenolic resin with solid oak wall brackets

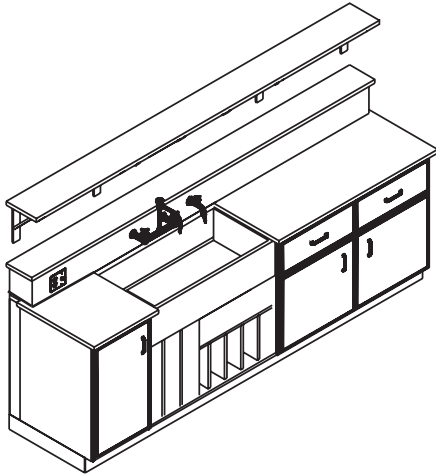
Note: Traps, drain lines, service piping and electric conduit are not included.

Catalog Number: 6619

Dimensions of Components	Width	Height	Depth
Overall	78 3/4"	36"	30"
(2) Base Cabinets (O.D.)	18"	35"	28 3/4"
(1) Tray Cabinet (O.D.)	40 3/4"	27 1/2"	22 1/2"
(2) Drawers (I.D.)	14 1/2"	6"	17"
(2) Cupboards (I.D.)	16 1/2"	21 3/4"	26 3/4"
(5) Tray Compartments (I.D.)	4 1/4"	9 5/8"	18 3/4"
(3) Tray Compartments (I.D.)	4 1/4"	20"	18 3/4"
Fixture Panel & Shelf	78 3/4"	10"	4 3/4"
Wall Shelf	78 3/4"	-	12"
Epoxy Resin Sink (O.D.) (Sink Depth: 7 1/2")	40 3/4"	-	26"

Wood Vocational Furniture

Developing Table



Equipment:

- (1) combination hot and cold water gooseneck faucet
- (1) cold water bibb faucet
- (1) duplex AC receptacle with switch
- (1) epoxy resin sink with (1) polypropylene sink outlet with 4" polypropylene overflow
- (2) full depth adjustable shelves
- (1) wall shelf with (3) graduated racks
- Top, fixture panel and shelf are 1" thick Rhearock unless specified
- Wall shelf is 1" thick phenolic resin with solid oak wall brackets

Note: Traps, drain lines, service piping and electric conduit are not included.

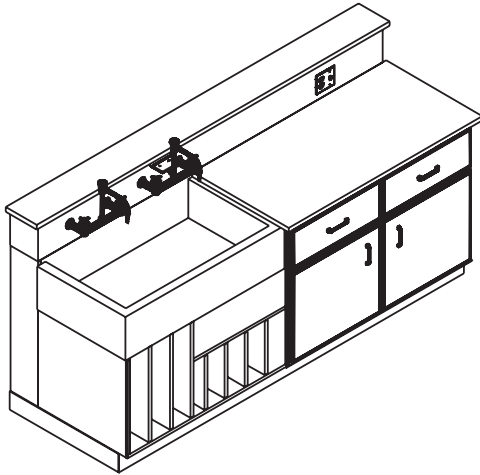
Catalog Number: 6620

Dimensions of Components	Width	Height	Depth
Overall	96"	36"	30"
(1) Base Cabinets (O.D.)	18"	35"	28 3/4"
(1) Cupboard (I.D.)	16 1/2"	29 1/4"	26 3/4"
(1) Tray Cabinet (O.D.)	40 3/4"	27 1/2"	22 1/2"
(1) Base Cabinet (O.D.)	35 1/4"	35"	28 3/4"
(2) Drawers (I.D.)	14 1/2"	6"	17"
(1) Cupboard (I.D.)	33 3/4"	21 3/4"	26 3/4"
(5) Tray Compartments (I.D.)	4 1/4"	9 5/8"	18 3/4"
(3) Tray Compartments (I.D.)	4 1/4"	20"	18 3/4"
Fixture Panel & Shelf	96"	10"	4 3/4"
Wall Shelf	96"	-	12"
Epoxy Resin Sink (O.D.) (Sink Depth: 7 1/2")	40 3/4"	-	26"

Catalog Number: 6621

Same as 6620 except 66 3/4" long and base cabinets are 12" W x 22 1/2" D x 35" H

Developing Table



Equipment:

- (1) combination hot and cold water gooseneck faucet
- (1) combination hot and cold swing spout faucet with soap dish
- (1) duplex AC receptacle with switch
- (1) epoxy resin sink
- (1) polypropylene sink outlet with 4" polypropylene overflow
- (1) full depth adjustable shelf
- Top, fixture panel and ledge cap are 1" thick Rhearock unless specified

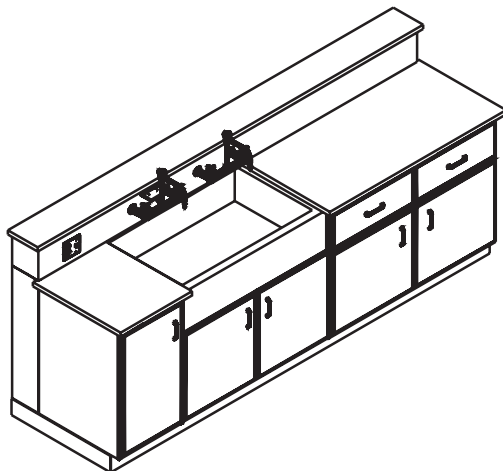
Note: Traps, drain lines, service piping and electric conduit are not included.

Catalog Number: 6622

Dimensions of Components	Width	Height	Depth
Overall	96"	36"	30"
(1) Tray Cabinet (O.D.)	47 3/4"	27 1/2"	22 1/2"
(1) Base Cabinet (O.D.)	47 1/4"	35"	28 3/4"
(2) Drawers (I.D.)	20 1/2"	6"	17"
(1) Cupboard (I.D.)	45 3/4"	21 3/4"	26 3/4"
(5) Tray Compartments (I.D.)	5 1/8"	9 5/8"	18 3/4"
(3) Tray Compartments (I.D.)	5 1/8"	20"	18 3/4"
Fixture Panel & Shelf	96"	10"	4 3/4"
Sink (O.D.) (Sink Depth: 7 1/2")	47 3/4"	-	26"

Catalog Number: 8139

Same as 6622 except opposite hand



Equipment:

- (1) combination hot and cold water gooseneck faucet
- (1) combination hot and cold swing spout faucet with soap dish
- (1) duplex AC receptacle with switch
- (1) epoxy resin sink
- (1) polypropylene sink outlet with 4" polypropylene overflow
- (2) full depth adjustable shelves
- Top, fixture panel and ledge cap are 1" thick Rhearock unless specified

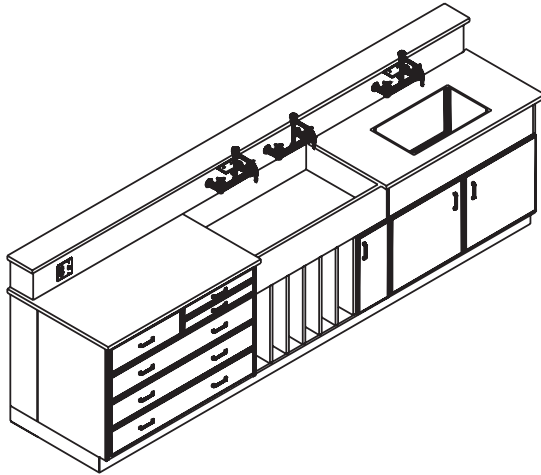
Note: Traps, drain lines, service piping and electric conduit are not included.

Catalog Number: 6623

Dimensions of Components	Width	Height	Depth
Overall	89 1/8"	36"	30"
(1) Base Cabinet (O.D.)	12 3/8"	35"	28 3/4"
(1) Base Cabinet (O.D.)	27"	35"	28 3/4"
(1) Sink Cabinet (O.D.)	47 3/4"	27 1/2"	22 1/2"
(2) Drawers (I.D.)	10 3/8"	6"	17"
Fixture Panel & Shelf	88 1/4"	10"	4 3/4"
Sink (O.D.) (Sink Depth: 7 1/2")	47 3/4"	-	26"

Wood Vocational Furniture

Developing Table



Equipment:

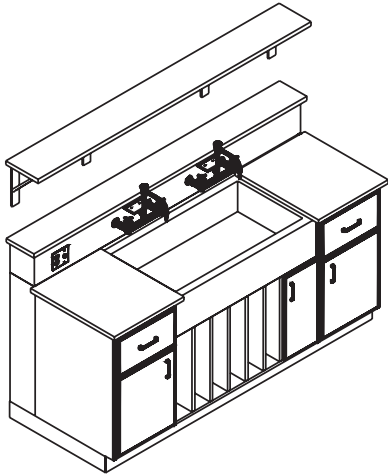
- (1) combination hot and cold water gooseneck faucet
- (2) combination hot and cold water swing spout faucets with soap dishes
- (1) duplex AC receptacle with switch
- (1) large epoxy resin sink in center
- (1) large epoxy sink in sink cabinet
- (2) polypropylene sinks outlets: (1) 4", (1) 8" polypropylene overflows
- (1) light proof drawer on upper left side
- Top, fixture panel & shelf are 1" Rhearock unless specified

Note: Traps, drain lines, service piping and electric conduit are not included.

Catalog Number: 6624

Dimensions of Components	Width	Height	Depth
Overall	11' 2 1/4"	36"	30"
(1) Tray Cabinet (O.D.)	34 9/16"	28 5/8"	22 1/2"
(1) Base Cabinet (O.D.)	15 15/16"	28 5/8"	22 1/2"
(1) Cupboard (I.D.)	13 13/16"	19 1/4"	20 3/4"
(1) Sink Cabinet (O.D.)	35 1/4"	35"	28 3/4"
(1) Cupboard	33 3/4"	21 3/4"	26 3/4"
(1) Base Cabinet (O.D.)	47 1/4"	35"	28 3/4"
(1) Drawer (I.D.)	20 1/2"	6"	17"
(2) Drawers (I.D.)	20 1/2"	2 1/4"	17"
(3) Drawers (I.D.)	43 3/4"	6"	17"
(6) Tray Compartments (I.D.)	4 7/8"	21 1/8"	20 3/4"
Fixture Panel & Shelf	11' 2 1/4"	10"	4 3/4"
(1) Sink (I.D.) (Sink Depth: 5 5/8")	48 3/4"	-	24 5/8"
(1) Sink (I.D.) (Sink Depth: 10")	25"	-	15"

Developing Table



Equipment:

- (2) hot and cold water swing spout faucets with soap dishes
- (1) duplex AC receptacle with switch
- (1) epoxy resin sink
- (1) polypropylene sink outlet and 4" polypropylene overflow
- (2) full-depth adjustable shelves
- (1) wall shelf
- Wall shelf is 1" thick phenolic resin with solid oak brackets
- Top fixture panel and shelf are 1" thick Rhearock unless specified

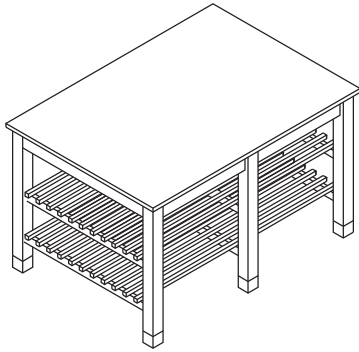
Note: Traps, drain lines, service piping and electric conduit are not included.

Catalog Number: 6624

Dimensions of Components	Width	Height	Depth
Overall	7' 4"	36"	30"
(2) Base Cabinets (O.D.)	18"	35"	28 3/4"
(2) Cupboards (I.D.)	16 1/2"	21 3/4"	26 3/4"
(1) Tray Cabinet (O.D.)	36 9/16"	28 5/8"	22 1/2"
(1) Base Cabinet (O.D.)	15 15/16"	28 5/8"	22 1/2"
(1) Cupboard (I.D.)	13 13/16"	19 1/4"	20 3/4"
(2) Drawers (I.D.)	14 1/2"	6"	17"
(6) Tray Compartments (I.D.)	4 7/8"	21 1/8"	20 3/4"
Fixture Panel & Shelf	7' 4"	10"	4 3/4"
(1) Sink (I.D.) (Sink Depth: 5 5/8")	48 3/4"	-	24 5/8"
Wall Shelf	7' 4"	-	12"

Wood Vocational Furniture

Heavy Duty Project Bench



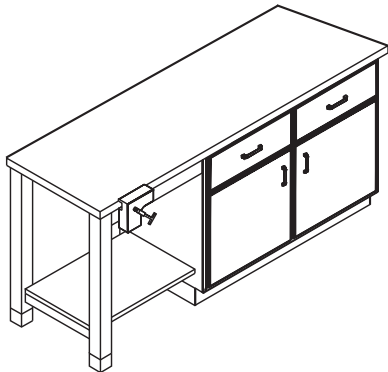
Equipment:

- Solid oak construction including shelf rails
- Shelves provide storage for large quantities of 48" x 30" flat stock
- Top is 1 1/4" thick Rhearesin

Catalog Number: 6793

Dimensions of Components	Width	Height	Depth
Overall	60"	36 1/4"	42"

Apparatus Shop Bench

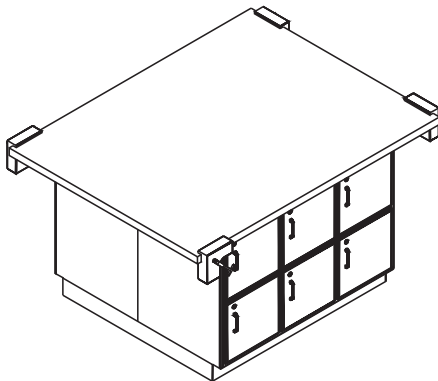


Equipment:

- (1) adjustable shelf in cupboard
- (1) #7352A wood working vise with 4" x 7" jaw face, 9" maximum opening and rapid acting nut
- Top is 1 3/4" laminated hard maple

Catalog Number: 6794

Dimensions of Components	Width	Height	Depth
Overall	72"	36 3/4"	24"
(1) Base Cabinet (O.D.)	35 1/4"	35"	22 1/2"
(2) Drawers (I.D.)	14 1/2"	6"	17"
(1) Cupboard (I.D.)	33 3/4"	21 3/4"	20 3/4"

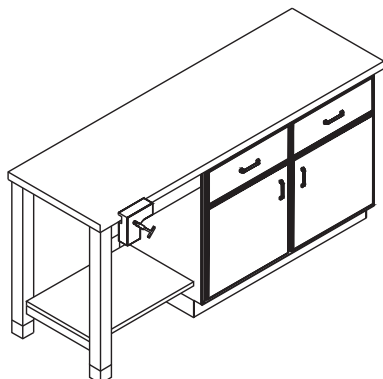


Equipment:

- (4) #7352A wood working vises each with 4" x 7" jaw face, 9" maximum opening and rapid acting nut
- (12) individual lockers: (6) on each side
- (12) master keyed locks
- Top is 2 1/4" laminated hard maple

Catalog Number: 6796

Dimensions of Components	Width	Height	Depth
Overall	36"	31 1/4"	54"
(2) Base Cabinets (O.D.)	35 1/4"	29"	22 1/2"
(12) Lockers (I.D.)	10 1/2"	11 1/4"	19 1/4"



Equipment:

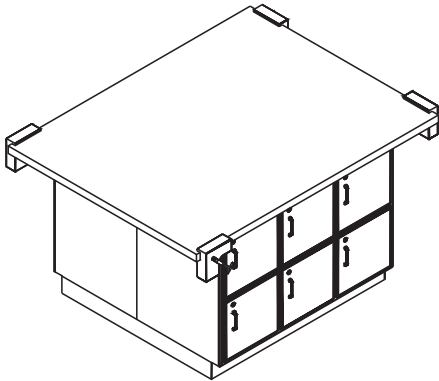
- Base cabinet has unfinished back
- (1) adjustable shelf in cabinet
- (2) drawers
- (1) 7352A wood working vise
- Top is 1 3/4" laminated hard maple

Catalog Number: 7300

Dimensions of Components	Width	Height	Depth
Overall	72"	36 3/4"	24"
(1) Base Cabinets (O.D.)	35 1/4"	35"	22 1/2"

Wood Vocational Furniture

Student Work Bench

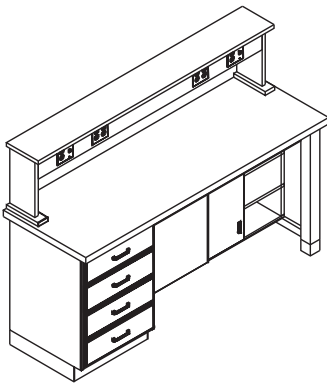


Equipment:

- Base cabinet has (12) individual lockers, master keyed
- (4) 7352A wood working vises with aluminum handles
- Top is 2 1/4" laminated hard maple

Catalog Number: 7302			
Dimensions of Components	Width	Height	Depth
Overall	54"	31 1/4"	48"
(2) Base Cabinets (O.D.)	35 1/4"	29"	22 1/2"
(12) Lockers (I.D.)	10 1/2"	11 1/4"	19 1/4"

Electronic Work Bench

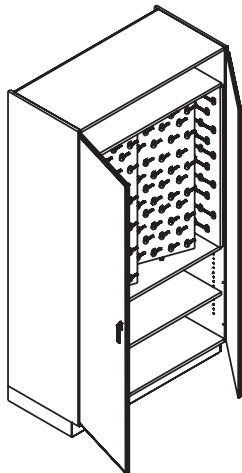


Equipment:

- (1) 21" W x 22 1/2" D (4) drawer base cabinet
- (1) sliding door storage with (2) adjustable shelves
- (1) shelf assembly 8" W x 17" H
- (2) gang duplex AC receptacles, finished black
- (1) gang duplex AC receptacles with switch
- Top is 1" thick Rheutex

Catalog Number: 7304			
Dimensions of Components	Width	Height	Depth
Overall	72"	36"	30"

Tool Storage Case



Equipment:

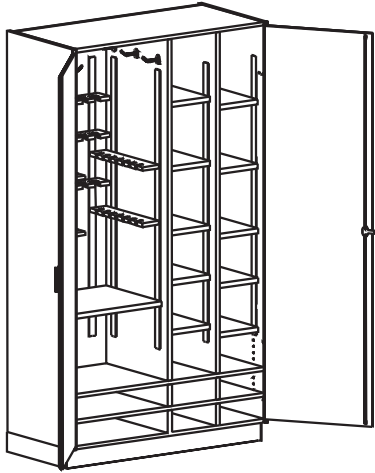
- (1) cubicle at bottom with adjustable shelf
- (1) fixed storage shelf at top
- Pegboard back and sides in center section with (2) pivoting pegboard panels
- Doors are equipped with 3-point latching system

Catalog Number: 7318			
Dimensions of Components	Width	Height	Depth
Overall	35 1/4"	84"	22 1/2"

Catalog Number: 7320			
Same as 7318 except 47 1/4" wide			

Wood Vocational Furniture

Tool Storage Case



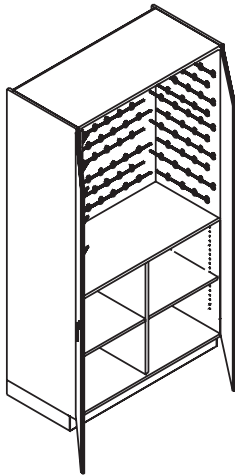
Equipment:

- (4) compartments to accommodate (4) #6344 plastic tote trays (included)
- (3) tiers: (2) adjustable shelves and (1) adjustable shelf and adjustable tool holders

Catalog Number: 7321

Dimensions of Components	Width	Height	Depth
Overall	47 1/4"	84"	22 1/2"

Shop Storage



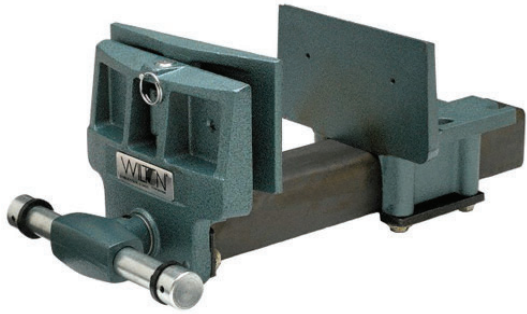
Equipment:

- Upper section is pegboard lined
- Lower section has (2) adjustable shelves and fixed vertical divider
- Double doors have 3-point latching system

Catalog Number: 8115

Dimensions of Components	Width	Height	Depth
Overall	41 1/4"	84"	22 1/2"

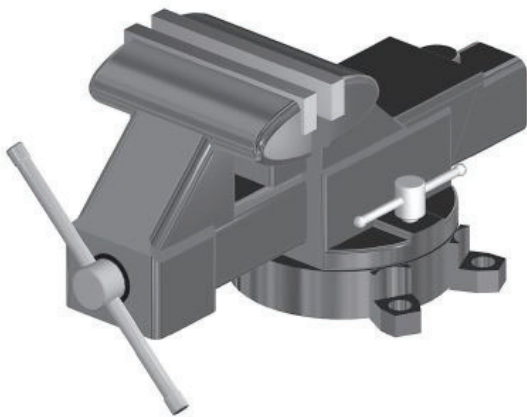
Woodworker's Vise



7" woodworker's vise with 2 1/2" clamping area on the left side where it is needed most. Clamping area is 20% larger than that of a conventional 7" woodworkers vise. Dog type front jaw for use with bench stops. Vise has rapid acting power slide mechanism which incorporates a controlled friction clutch. Counterclockwise operation disengages threads, permits fast jaw movement. Clockwise operation engages threads, producing continuous jaw movement and high pressure nonslip holding power. Strong, light metal handles of zinc coated tubular steel won't stain hands or work. Equipped with polyethylene washers. Jaw is 4" x 7" with a maximum opening of 9". Includes mounting template with instructions for pre-drilling four mounting holes.

Catalog Number: 7352A

Metal & Utility Workshop Vise

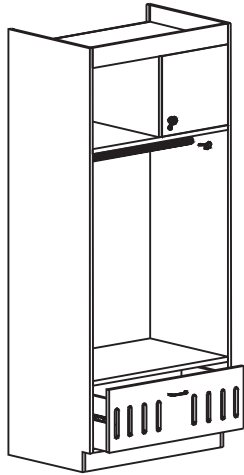


Vise has heavy duty steel front jaw beam with covers screw; extra large back jaw anvil and anvil horn. Screw formed from cold rolled steel; handle balls forged from handle stock. Vise features an Acme threaded replaceable, malleable iron nut and replaceable compressed powdered metal jaw faces. Permanent pipe jaws, positive "Tri-Grip" design, with positive locking swivel base, slip handle and lock nut. Jaws are polished, and the anvil has a bright red finish. Screw, handle and lock nut have bright zinc plated finish. Jaw width is 4" with a maximum opening of 5". Pipe capacity is from 1/8" to 2".

Catalog Number: 7352B

Wood Athletics & Cubbies

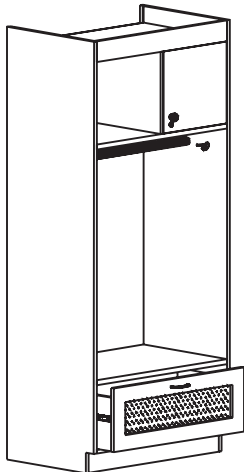
Open Locker with Drawer



Equipment:

- Top rail is large enough to support 2 1/2" H name plate (order separately)
- Unit equipped with open cubby and a combination locked cupboard at top
- Clothes hanger rod and (2) clothing hooks
- Underneath fixed bench seat is a vented drawer for additional storage

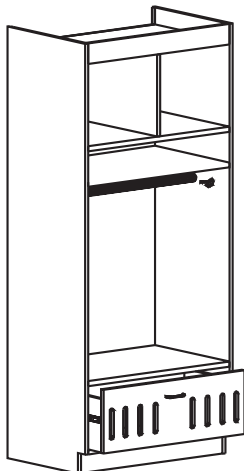
Catalog Number	Width	Height	Depth
AADV2484	24"	84"	24"
AADV2784	27"	84"	24"
AADV3084	30"	84"	24"
AADV3384	33"	84"	24"
AADV3684	36"	84"	24"



Equipment:

- Top rail is large enough to support 2 1/2" H name plate (order separately)
- Unit equipped with open cubby and a combination locked cupboard at top
- (1) fixed shelf
- (1) clothes hanger rod
- (2) clothing hooks
- Underneath fixed bench seat is a vented drawer for additional storage
- Drawer face has a perforated epoxy coated steel panel insert

Catalog Number	Width	Height	Depth
AADP2484	24"	84"	24"
AADP2784	27"	84"	24"
AADP3084	30"	84"	24"
AADP3384	33"	84"	24"
AADP3684	36"	84"	24"

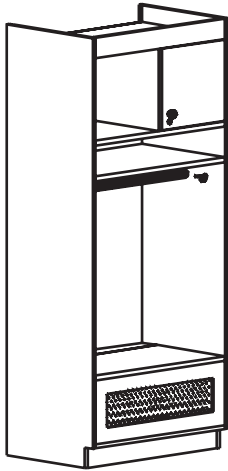


Equipment:

- Top rail is large enough to support 2 1/2" H name plate (order separately)
- Unit equipped with (2) open cubbies at top
- (1) fixed shelf
- (1) clothes hanger rod
- (2) clothing hooks
- Underneath fixed bench seat is a vented drawer for additional storage

Catalog Number	Width	Height	Depth
AAOV2484	24"	84"	24"
AAOV2784	27"	84"	24"
AAOV3084	30"	84"	24"
AAOV3384	33"	84"	24"
AAOV3684	36"	84"	24"

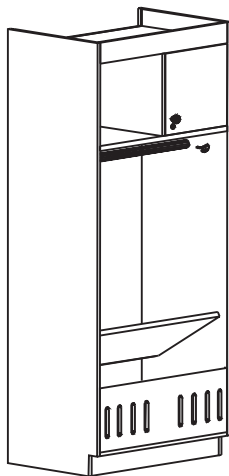
Open Locker with Lift-Seat Storage



Equipment:

- Top rail is large enough to support 2 1/2" H name plate (order separately)
- Unit is equipped with open cubby and a combination locked cupboard at top
- (1) fixed shelf
- (1) clothes hanger rod
- (2) clothing hooks
- Underneath hinged bench seat is additional storage
- Face panel of storage area has a perforated epoxy coated steel panel insert

Catalog Number	Width	Height	Depth
AATP2484	24"	84"	24"
AATP2784	27"	84"	24"
AATP3084	30"	84"	24"
AATP3384	33"	84"	24"
AATP3684	36"	84"	24"



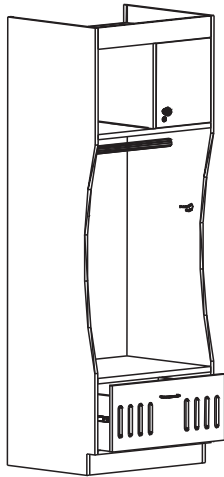
Equipment:

- Top rail is large enough to support 2 1/2" H name plate (order separately)
- Unit equipped with open cubby and a combination locked cupboard at top
- (1) fixed shelf
- (1) clothes hanger rod
- (2) clothing hooks
- Underneath hinged bench seat is additional storage
- Face panel of storage area is vented

Catalog Number	Width	Height	Depth
AATV2484	24"	84"	24"
AATV2784	27"	84"	24"
AATV3084	30"	84"	24"
AATV3384	33"	84"	24"
AATV3684	36"	84"	24"

Wood Athletics & Cubbies

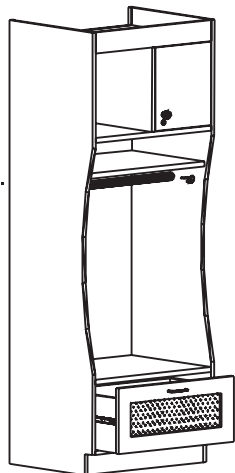
Open Locker with Drawer



Equipment:

- Top rail is large enough to support 2 1/2" H name plate (order separately)
- Unit equipped with open cubby and a combination locked cupboard at top
- (1) clothes hanger rod
- (2) clothing hooks
- Underneath fixed bench seat is a vented drawer for additional storage
- End panels and bench seat have radius edge

Catalog Number	Width	Height	Depth
AADV2484R	24"	84"	24"
AADV2784R	27"	84"	24"
AADV3084R	30"	84"	24"
AADV3384R	33"	84"	24"
AADV3684R	36"	84"	24"

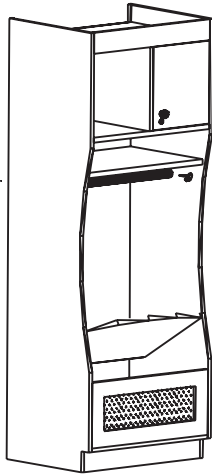


Equipment:

- Top rail is large enough to support 2 1/2" H name plate (order separately)
- Unit equipped with open cubby and a combination locked cupboard at top
- (1) fixed shelf
- (1) clothes hanger rod
- (2) clothing hooks
- Underneath fixed bench seat is a vented drawer for additional storage
- Drawer face has a perforated epoxy coated steel panel insert
- End panels and bench seat have radius edge

Catalog Number	Width	Height	Depth
AADP2484R	24"	84"	24"
AADP2784R	27"	84"	24"
AADP3084R	30"	84"	24"
AADP3384R	33"	84"	24"
AADP3684R	36"	84"	24"

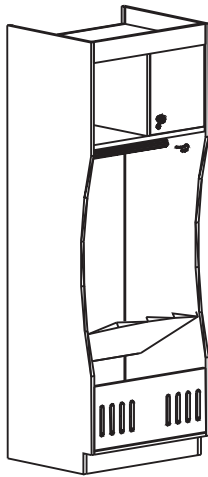
Open Locker with Lift-Seat Storage



Equipment:

- Top rail is large enough to support 2 1/2" H name plate (order separately)
- Unit equipped with open cubby and a combination locked cupboard at top
- (1) fixed shelf
- (1) clothes hanger rod
- (2) clothing hooks
- Underneath hinged bench seat is additional storage
- Face panel of storage area has a perforated epoxy coated steel panel insert
- End panels and bench seat have radius edge

Catalog Number	Width	Height	Depth
AATP2484R	24"	84"	24"
AATP2784R	27"	84"	24"
AATP3084R	30"	84"	24"
AATP3384R	33"	84"	24"
AATP3684R	36"	84"	24"



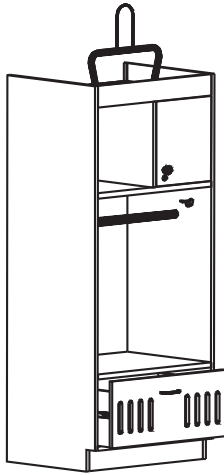
Equipment:

- Top rail is large enough to support 2 1/2" H name plate (order separately)
- Unit equipped with open cubby and a combination locked cupboard at top
- (1) fixed shelf
- (1) clothes hanger rod
- (2) clothing hooks
- Underneath hinged bench seat is additional storage
- Face panel of storage area is vented
- End panels and bench seat have radius edge

Catalog Number	Width	Height	Depth
AATV2484R	24"	84"	24"
AATV2784R	27"	84"	24"
AATV3084R	30"	84"	24"
AATV3384R	33"	84"	24"
AATV3684R	36"	84"	24"

Wood Athletics & Cubbies

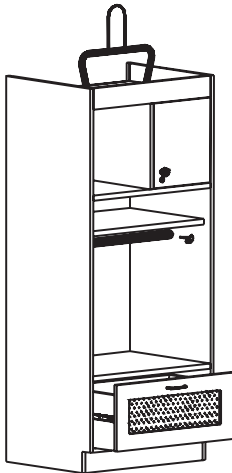
Football Open Locker with Drawer



Equipment:

- Top rail is large enough to support 2 1/2" H name plate (order separately)
- Unit equipped when open cubby and a combination locked cupboard at top
- (1) clothes hanger rod
- (2) clothing hooks
- Underneath fixed bench seat is a vented drawer for additional storage
- Helmet and should pad support made of 1" tube steel with powder coat finish

Catalog Number	Width	Height	Depth
AFDV2472	24"	72"	24"
AFDV2772	27"	72"	24"
AFDV3072	30"	72"	24"
AFDV3372	33"	72"	24"
AFDV3672	36"	72"	24"

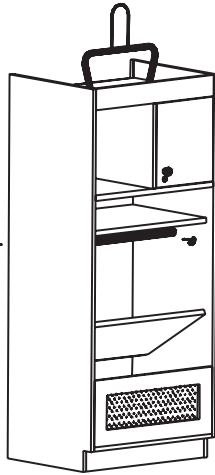


Equipment:

- Top rail is large enough to support 2 1/2" H name plate (order separately)
- Unit equipped when open cubby and a combination locked cupboard at top
- (1) clothes hanger rod
- (2) clothing hooks
- Underneath fixed bench seat is a vented drawer for additional storage
- Drawer face has perforated epoxy coated steel panel insert
- Helmet and should pad support made of 1" tube steel with powder coat finish

Catalog Number	Width	Height	Depth
AFDP2472	24"	72"	24"
AFDP2772	27"	72"	24"
AFDP3072	30"	72"	24"
AFDP3372	33"	72"	24"
AFDP3672	36"	72"	24"

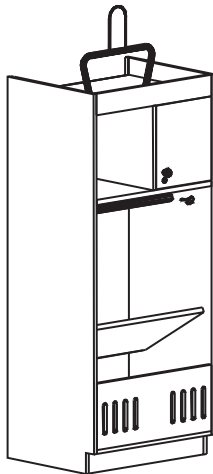
Football Open Locker with Lift-Seat Storage



Equipment:

- Top rail is large enough to support 2 1/2" H name plate (order separately)
- Unit equipped when open cubby and a combination locked cupboard at top
- (1) fixed shelf
- (1) clothes hanger rod
- (2) clothing hooks
- Underneath fixed bench seat is additional storage
- Face panel for storage area has a perforated epoxy coated steel panel insert
- Helmet and should pad support made of 1" tube steel with powder coat finish

Catalog Number	Width	Height	Depth
AFTP2472	24"	72"	24"
AFTP2772	27"	72"	24"
AFTP3072	30"	72"	24"
AFTP3372	33"	72"	24"
AFTP3672	36"	72"	24"



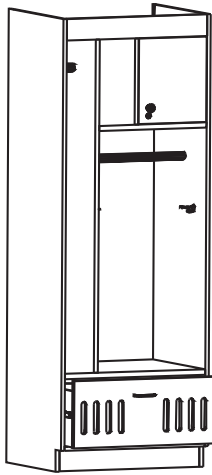
Equipment:

- Top rail is large enough to support 2 1/2" H name plate (order separately)
- Unit equipped when open cubby and a combination locked cupboard at top
- (1) fixed shelf
- (1) clothes hanger rod
- (2) clothing hooks
- Underneath fixed bench seat is additional storage
- Face panel for storage area is vented
- Helmet and should pad support made of 1" tube steel with powder coat finish

Catalog Number	Width	Height	Depth
AFTV2472	24"	72"	24"
AFTV2772	27"	72"	24"
AFTV3072	30"	72"	24"
AFTV3372	33"	72"	24"
AFTV3672	36"	72"	24"

Wood Athletics & Cubbies

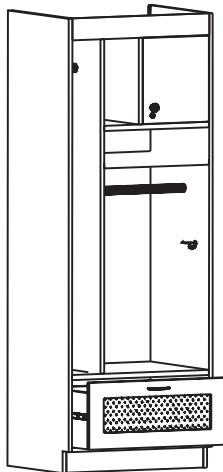
Basketball Open Locker with Drawer



Equipment:

- Top rail is large enough to support 2 1/2" H name plate (order separately)
- Unit equipped with open cubby and a combination locked cupboard at top
- (1) clothes hanger rod
- (2) clothing hooks
- Underneath fixed bench seat is a vented drawer for additional storage
- Side compartment with coat rod

Catalog Number	Width	Height	Depth
ABDV2484	24"	84"	24"
ABDV2784	27"	84"	24"
ABDV3084	30"	84"	24"

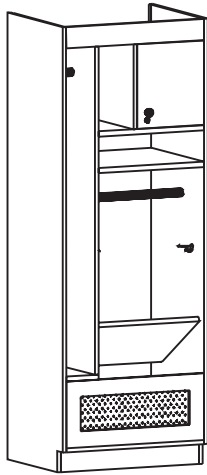


Equipment:

- Top rail is large enough to support 2 1/2" H name plate (order separately)
- Unit equipped with open cubby and a combination locked cupboard at top
- (1) fixed shelf
- (1) clothes hanger rod
- (2) clothing hooks
- Underneath fixed bench seat is a vented drawer for additional storage
- Drawer face has a perforated epoxy coated steel panel insert

Catalog Number	Width	Height	Depth
ABDP2484	24"	84"	24"
ABDP2784	27"	84"	24"
ABDP3084	30"	84"	24"

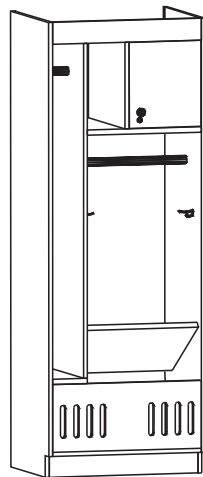
Basketball Open Locker with Lift-Seat Storage



Equipment:

- Top rail is large enough to support 2 1/2" H name plate (order separately)
- Unit equipped with open cubby and a combination locked cupboard at top
- (1) fixed shelf
- (1) clothes hanger rod
- (2) clothing hooks
- Underneath hinged bench seat is additional storage
- Face panel of storage area has a perforated epoxy coated steel panel insert

Catalog Number	Width	Height	Depth
ABTP2484	24"	84"	24"
ABTP2784	27"	84"	24"
ABTP3084	30"	84"	24"



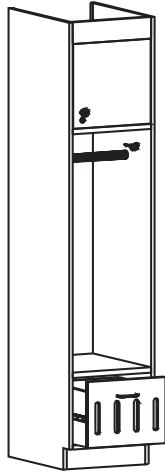
Equipment:

- Top rail is large enough to support 2 1/2" H name plate (order separately)
- Unit equipped with open cubby and a combination locked cupboard at top
- (1) fixed shelf
- (1) clothes hanger rod
- (2) clothing hooks
- Underneath hinged bench seat is additional storage
- Face panel of storage area is vented

Catalog Number	Width	Height	Depth
ABTV2484	24"	84"	24"
ABTV2784	27"	84"	24"
ABTV3084	30"	84"	24"

Wood Athletics & Cubbies

Golf Open Locker with Drawer



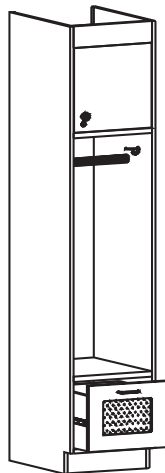
Equipment:

- Top rail is large enough to support 2 1/2" H name plate (order separately)
- Unit equipped with open cubby and a combination locked cupboard at top
- (1) clothes hanger rod
- (2) clothing hooks
- Underneath fixed bench seat is a vented drawer for additional storage

Catalog Number	Width	Height	Depth
AGDV1884	18"	84"	24"
AGDV2184	21"	84"	24"
AGDV2484	24"	84"	24"

Same as above, except without drawer. Seat lifts to storage area underneath

Catalog Number	Width	Height	Depth
AGTV1884	18"	84"	24"
AGTV2184	21"	84"	24"
AGTV2484	24"	84"	24"



Equipment:

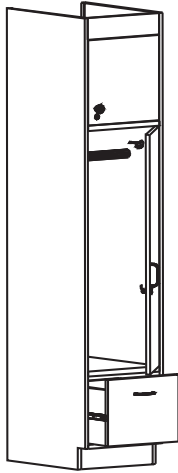
- Top rail is large enough to support 2 1/2" H name plate (order separately)
- Unit equipped with open cubby and a combination locked cupboard at top
- (1) fixed shelf
- (1) clothes hanger rod
- (2) clothing hooks
- Underneath fixed bench seat is a vented drawer for additional storage
- Drawer face has a perforated epoxy coated steel panel insert

Catalog Number	Width	Height	Depth
AGDP1884	18"	84"	24"
AGDP2184	21"	84"	24"
AGDP2484	24"	84"	24"

Same as above, except without drawer. Seat lifts to storage area underneath

Catalog Number	Width	Height	Depth
AGTP1884	18"	84"	24"
AGTP2184	21"	84"	24"
AGTP2484	24"	84"	24"

Golf Open Locker with Lift-Seat Storage



Equipment:

- Top rail is large enough to support 2 1/2" H name plate (order separately)
- Unit equipped with open cubby and a combination locked cupboard at top
- (1) fixed shelf
- (1) clothes hanger rod
- (2) clothing hooks
- Underneath fixed bench seat is additional drawer storage
- Face panel of storage area has a perforated epoxy coated steel panel insert

Catalog Number	Width	Height	Depth
AGDN1884	18"	84"	24"
AGDN2184	21"	84"	24"
AGDN2484	24"	84"	24"

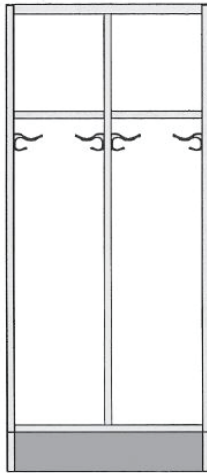
Mechanical Combination/Key Lock Pull



This lock is designed to be used on an extensive range of wood doors. Intuitive mechanical code entry lock has a mechanical key override and the ability for the user to set and change their own personal entry code. It is supplied with a choice of cams and can be set to left or right hand mode by the flick of a switch on the rear of the lock. This lock must be specified.

Wood Athletics & Cubbies

Open, 2 Unit, Upper Cubby, Locker & Lower Cubby



- 48" H units are recommended for Pre-K, Kindergarten & Early Years
- 60" H units are appropriate for Elementary through High School applications
- Equipped with (2) hanging hooks in each locker compartment and finished top
- No Doors, standard

Catalog Number: 7430

Dimensions of Components	Width	Height	Depth
Overall	21"	48"	12"
(2) Upper Cubbies	9 3/8"	11 1/4"	10 3/4"
(2) Lower Cubbies	9 3/8"	11 1/4"	10 3/4"

Catalog Number: 7432

Dimensions of Components	Width	Height	Depth
Overall	24"	48"	12"
(2) Upper Cubbies	10 3/8"	11 1/4"	10 3/4"
(2) Lower Cubbies	10 3/8"	11 1/4"	10 3/4"

Catalog Number: 7434

Dimensions of Components	Width	Height	Depth
Overall	30"	48"	12"
(2) Upper Cubbies	13 7/8"	11 1/4"	10 3/4"
(2) Lower Cubbies	13 7/8"	11 1/4"	10 3/4"

Catalog Number: 7436

Dimensions of Components	Width	Height	Depth
Overall	21"	60"	12"
(2) Upper Cubbies	9 3/8"	11 1/4"	10 3/4"
(2) Lower Cubbies	9 3/8"	11 1/4"	10 3/4"

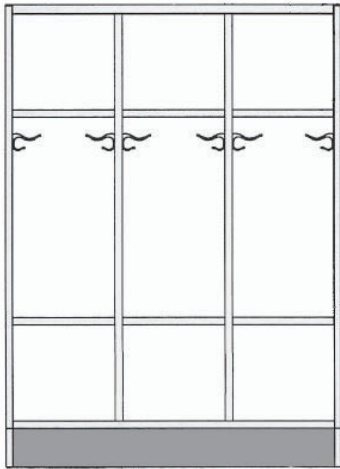
Catalog Number: 7438

Dimensions of Components	Width	Height	Depth
Overall	24"	60"	12"
(2) Upper Cubbies	10 3/8"	11 1/4"	10 3/4"
(2) Lower Cubbies	10 3/8"	11 1/4"	10 3/4"

Catalog Number: 7440

Dimensions of Components	Width	Height	Depth
Overall	30"	60"	12"
(2) Upper Cubbies	13 7/8"	11 1/4"	10 3/4"
(2) Lower Cubbies	13 7/8"	11 1/4"	10 3/4"

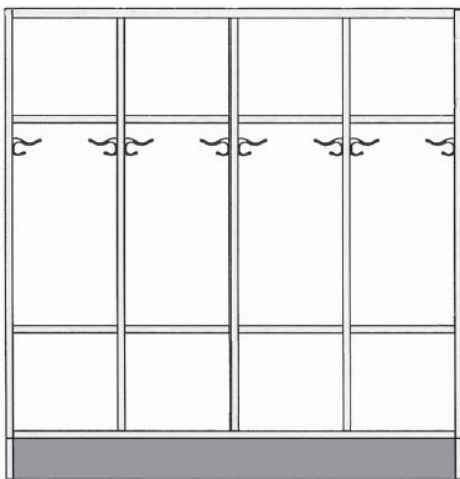
Open, 3 Unit, Upper Cubby, Locker & Lower Cubby



- 48" H units are recommended for Pre-K, Kindergarten & Early Years
- 60" H units are appropriate for Elementary through High School applications
- Equipped with (2) hanging hooks in each locker compartment and finished top
- No Doors, standard

Catalog Number: 7442			
Dimensions of Components	Width	Height	Depth
Overall	35 1/4"	48"	12"
(3) Upper Cubbies	13 7/8"	11 1/4"	10 3/4"
(3) Lower Cubbies	13 7/8"	11 1/4"	10 3/4"

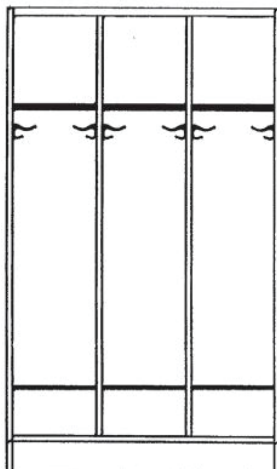
Open, 4 Unit, Upper Cubby, Locker & Lower Cubby



- 48" H units are recommended for Pre-K, Kindergarten & Early Years
- 60" H units are appropriate for Elementary through High School applications
- Equipped with (2) hanging hooks in each locker compartment and finished top
- No Doors, standard

Catalog Number: 7444			
Dimensions of Components	Width	Height	Depth
Overall	47 1/4"	48"	12"
(4) Upper Cubbies	13 7/8"	11 1/4"	10 3/4"
(4) Lower Cubbies	13 7/8"	11 1/4"	10 3/4"

Open, 3 Locker Unit

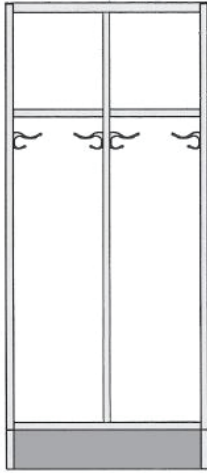


- 48" H units are recommended for Pre-K, Kindergarten & Early Years
- 60" H units are appropriate for Elementary through High School applications
- No seating area provided, lower portion has slant shoe shelf/storage area
- Equipped with (2) hanging hooks
- Unit has a finished top
- No doors, standard

Catalog Number: 7446			
Dimensions of Components	Width	Height	Depth
Overall	35 1/4"	48"	12"
(2) Upper Cubbies	10 3/4"	11 1/4"	10 3/4"

Wood Athletics & Cubbies

Open, 2 Unit, Upper Cubby, Locker Storage

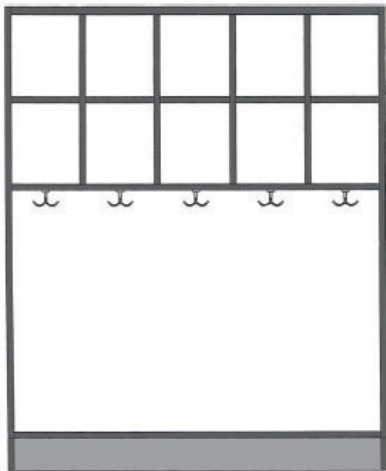


- 48" H units are recommended for Pre-K, Kindergarten & Early Years
- 60" H units are appropriate for Elementary through High School applications
- Equipped with (2) hanging hooks in each locker compartment and finished top
- No Doors, standard

Catalog Number: 7447			
Dimensions of Components	Width	Height	Depth
Overall	21"	48"	12"
(2) Cubbies	9 3/8"	11 1/4"	10 3/4"

Catalog Number: 7448			
Dimensions of Components	Width	Height	Depth
Overall	21"	60"	12"
(2) Cubbies	9 3/8"	11 1/4"	10 3/4"

Open, 5 Unit, Upper Double Cubbies, Locker Storage



- 48" H units are recommended for Pre-K, Kindergarten & Early Years
- 60" H units are appropriate for Elementary through High School applications
- Equipped with (5) double hanging hooks and finished top
- No Doors, standard

Catalog Number: 7428			
Dimensions of Components	Width	Height	Depth
Overall	47 1/4"	60"	14"
(10) Cubbies	8 1/2"	10"	12 3/4"

Open, 3 Locker Unit with Seat Area



- 48" H units are recommended for Pre-K, Kindergarten & Early Years
- 60" H units are appropriate for Elementary through High School applications
- End panels of three unit section have decorative curved angle at seating height
- Lower cubby back and 'floor' are plastic laminate on plywood, specify color selection
- Each locker area equipped with (2) hanging hooks
- Unit has finished top

Catalog Number: 7420

Dimensions of Components	Width	Height	Depth
Overall	35 1/4"	60"	24"

Open, 3 Locker Unit with Cubby Double Upper and Single Lower Cubby Storage Areas



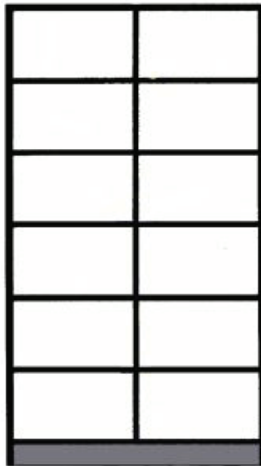
- 48" H units are recommended for Pre-K, Kindergarten & Early Years
- 60" H units are appropriate for Elementary through High School applications
- End panels and divider panels of three unit section have decorative curved angle at base of locker area
- (2) lower cubbies per locker section
- Each locker area equipped with (1) double hanging hook
- Unit has finished top

Catalog Number: 7426

Dimensions of Components	Width	Height	Depth
Overall	35 1/4"	60"	14"

Wood Athletics & Cubbies

Open, Bin Storage Units



Catalog Number: 7480			
Dimensions of Components	Width	Height	Depth

Overall	18"	84"	22 1/2"
(6) Cubbies	16 1/2"	12 1/4"	21 1/4"

Catalog Number: 7482			
Dimensions of Components	Width	Height	Depth

Overall	21"	84"	22 1/2"
(6) Cubbies	19 1/2"	12 1/4"	21 1/4"

Catalog Number: 7484			
Dimensions of Components	Width	Height	Depth

Overall	24"	84"	22 1/2"
(6) Cubbies	22 1/2"	12 1/4"	21 1/4"

Catalog Number: 7486			
Dimensions of Components	Width	Height	Depth

Overall	30"	84"	22 1/2"
(12) Cubbies	13 7/8"	12 1/4"	21 1/4"

Catalog Number: 7488			
Dimensions of Components	Width	Height	Depth

Overall	35 1/4"	84"	22 1/2"
(12) Cubbies	16 1/2"	12 1/4"	21 1/4"

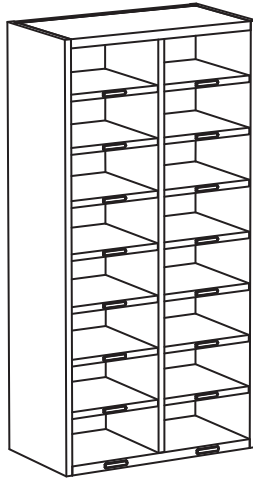
Catalog Number: 7490			
Dimensions of Components	Width	Height	Depth

Overall	41 1/4"	84"	22 1/2"
(12) Cubbies	19 1/2"	12 1/4"	21 1/4"

Catalog Number: 7492			
Dimensions of Components	Width	Height	Depth

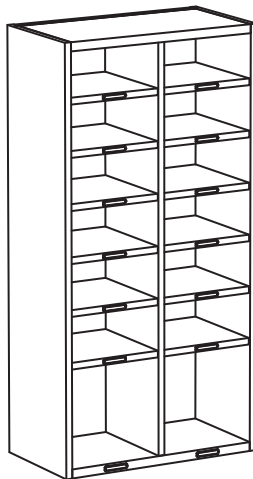
Overall	47 1/4"	84"	22 1/2"
(12) Cubbies	22 1/2"	12 1/4"	21 1/4"

Mailboxes



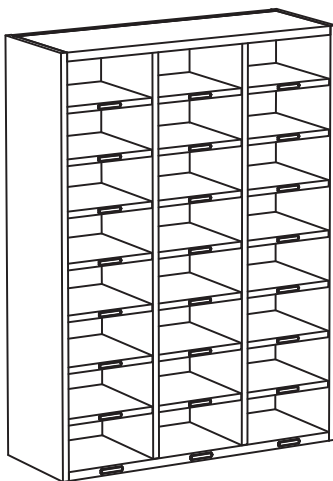
- Constructed of hardwood plywood in selected species
- 3/4" thick vertical and horizontal dividers
- 1" thick top and bottom
- 9/16" x 2 13/16" aluminum label holder for each compartment

Catalog Number: 5148MB			
Dimensions of Components	Width	Height	Depth
Overall	24"	48"	13"
(16) Compartments	10 7/8"	5"	-



- Constructed of hardwood plywood in selected species
- 3/4" thick vertical and horizontal dividers
- 1" thick top and bottom
- 9/16" x 2 13/16" aluminum label holder for each compartment

Catalog Number: 5148MBC			
Dimensions of Components	Width	Height	Depth
Overall	24"	48"	13"
(12) Compartments	10 7/8"	5"	-
(2) Compartments	10 7/8"	11"	-

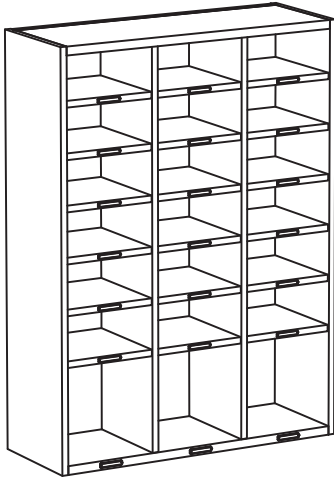


- Constructed of hardwood plywood in selected species
- 3/4" thick vertical and horizontal dividers
- 1" thick top and bottom
- 9/16" x 2 13/16" aluminum label holder for each compartment

Catalog Number: 5152MB			
Dimensions of Components	Width	Height	Depth
Overall	35 1/4" or 36"	48"	13"
(24) Compartments	10 3/4"	5"	-

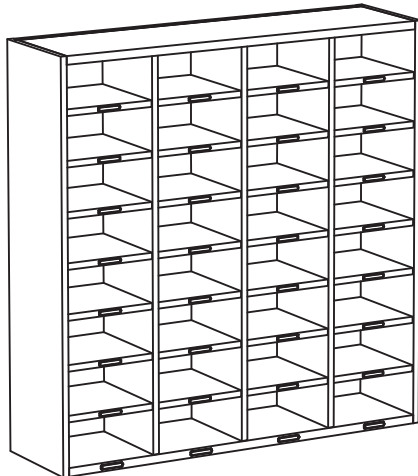
Wood Mailboxes

Mailboxes



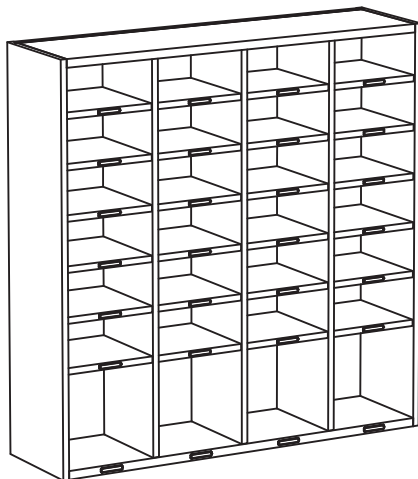
- Constructed of hardwood plywood in selected species
- 3/4" thick vertical and horizontal dividers
- 1" thick top and bottom
- 9/16" x 2 13/16" aluminum label holder for each compartment

Catalog Number: 5152MBC			
Dimensions of Components	Width	Height	Depth
Overall	35 1/4" or 36"	48"	13"
(18) Compartments	10 3/4"	5"	-
(3) Compartments	10 3/4"	11"	-



- Constructed of hardwood plywood in selected species
- 3/4" thick vertical and horizontal dividers
- 1" thick top and bottom
- 9/16" x 2 13/16" aluminum label holder for each compartment

Catalog Number: 5156MBC			
Dimensions of Components	Width	Height	Depth
Overall	47 1/4" or 48"	48"	13"
(32) Compartments	10 3/4"	5"	-

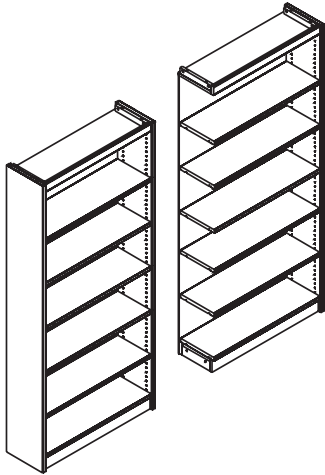


- Constructed of hardwood plywood in selected species
- 3/4" thick vertical and horizontal dividers
- 1" thick top and bottom
- 9/16" x 2 13/16" aluminum label holder for each compartment

Catalog Number: 5156MBC			
Dimensions of Components	Width	Height	Depth
Overall	47 1/4" or 48"	48"	13"
(24) Compartments	10 3/4"	5"	-
(4) Compartments	10 3/4"	11"	-

Wood Library Furniture

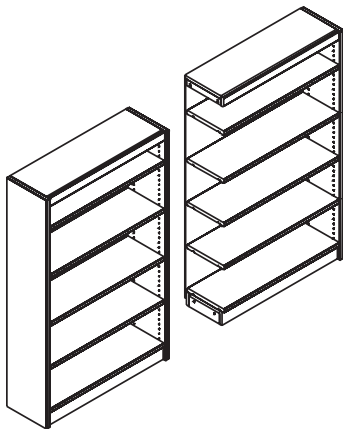
Library Shelving, 82" High Single Face



- Adjustable book shelving has 1" thick plywood shelves with solid lumber edge band on front & back edges
 - Unit comes with (6) shelves, bottom and (5) adjustable; with hole and pin adjustment on 32mm centers
 - Unit has a full height back and standard top is wood
- * For a continuous plastic laminate top, change "W" in the catalog number to "C".

Catalog Number	Unit	Depth
SHW3612SB*	37" W Starter	12"
SHW3612AB*	36" W Adder	12"

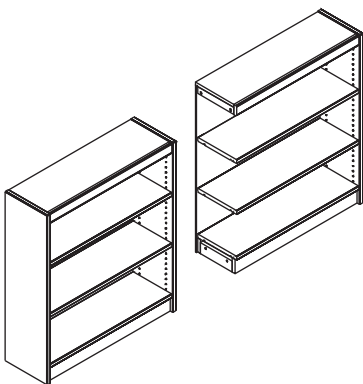
Library Shelving, 60" High Single Face



- Adjustable book shelving has 1" thick plywood shelves with solid lumber edge band on front & back edges
 - Unit comes with (5) shelves, bottom and (4) adjustable; with hole and pin adjustment on 32mm centers
 - Unit has a full height back and standard top is wood
- * For a continuous plastic laminate top, change "W" in the catalog number to "C".

Catalog Number	Unit	Depth
SMW3612SB*	37" W Starter	12"
SMW3612AB*	36" W Adder	12"

Library Shelving, 42" High Single Face

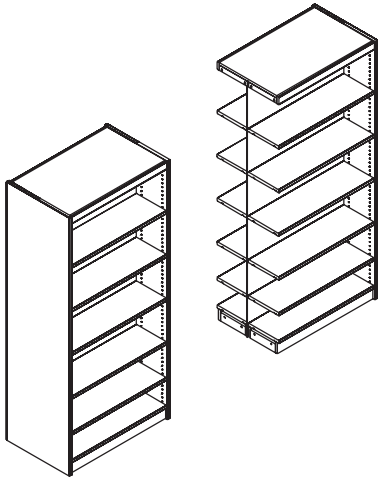


- Adjustable book shelving has 1" thick plywood shelves with solid lumber edge band on front & back edges
 - Unit comes with (4) shelves, bottom and (2) adjustable; with hole and pin adjustment on 32mm centers
 - Unit has a full height back and standard top is wood
- * For a continuous plastic laminate top, change "W" in the catalog number to "C".

Catalog Number	Unit	Depth
SLW3612SB*	37" W Starter	12"
SLW3612AB*	36" W Adder	12"

Wood Library Furniture

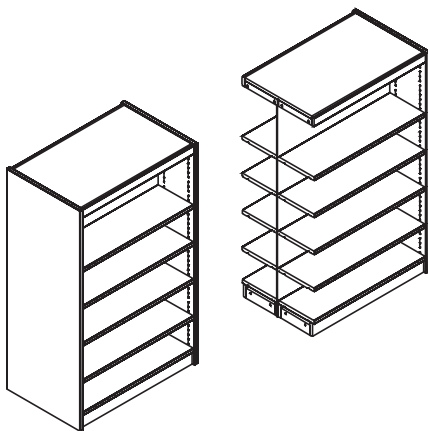
Library Shelving, 82" High Double Face



- Adjustable book shelving has 1" thick plywood shelves with solid lumber edge band on front & back edges
 - Unit comes with (12) shelves, (2) bottom and (10) adjustable; with hole and pin adjustment on 32mm centers
 - Unit has a full height back and standard top is wood
- * For a continuous plastic laminate top, change "W" in the catalog number to "C".

Catalog Number	Unit	Depth
SHW3623SB*	37" W Starter	23"
SHW3623AB*	36" W Adder	23"

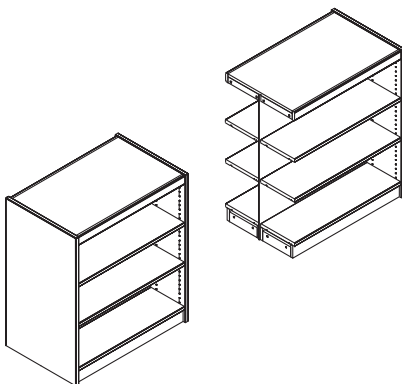
Library Shelving, 60" High Double Face



- Adjustable book shelving has 1" thick plywood shelves with solid lumber edge band on front & back edges
 - Unit comes with (10) shelves, (2) bottom and (8) adjustable; with hole and pin adjustment on 32mm centers
 - Unit has a full height back and standard top is wood
- * For a continuous plastic laminate top, change "W" in the catalog number to "C".

Catalog Number	Unit	Depth
SMW3623SB*	37" W Starter	23"
SMW3623AB*	36" W Adder	23"

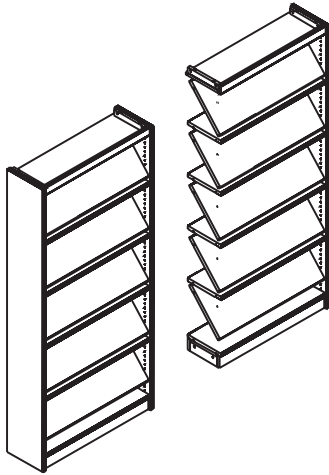
Library Shelving, 42" High Double Face



- Adjustable book shelving has 1" thick plywood shelves with solid lumber edge band on front & back edges
 - Unit comes with (6) shelves, (2) bottom and (4) adjustable; with hole and pin adjustment on 32mm centers
 - Unit has a full height back and standard top is wood
- * For a continuous plastic laminate top, change "W" in the catalog number to "C".

Catalog Number	Unit	Depth
SLW3623SB*	37" W Starter	23"
SLW3623AB*	36" W Adder	23"

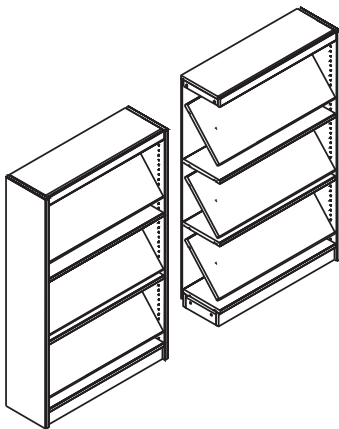
Magazine Shelving, 82" High



- Single face magazine shelving unit has five (double has ten) adjustable sets of sloping, raised edge magazine display shelves with a flat shelf beneath for storing back issues.
- Unit has a full height back and standard top is wood
- * For a continuous plastic laminate top, change "W" in the unit number to "C".

Single Face		
Catalog Number	Unit	Depth
MHW3612SB*	37" W Starter	12"
MHW3612AB*	36" W Adder	12"
Double Face		
Catalog Number	Unit	Depth
MHW3623SB*	37" W Starter	23"
MHW3623AB*	36" W Adder	23"

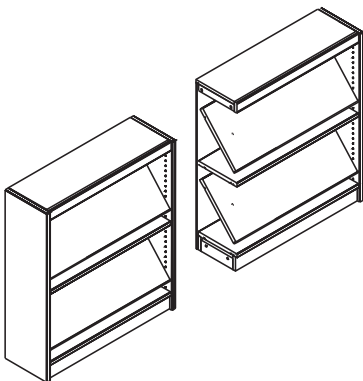
Magazine Shelving, 60" High



- Single face magazine shelving unit has three (double has six) adjustable sets of sloping, raised edge magazine display shelves with a flat shelf beneath for storing back issues.
- Unit has a full height back and standard top is wood
- * For a continuous plastic laminate top, change "W" in the unit number to "C".

Single Face		
Catalog Number	Unit	Depth
MMW3612SB*	37" W Starter	12"
MMW3612AB*	36" W Adder	12"
Double Face		
Catalog Number	Unit	Depth
MMW3623SB*	37" W Starter	23"
MMW3623AB*	36" W Adder	23"

Magazine Shelving, 42" High

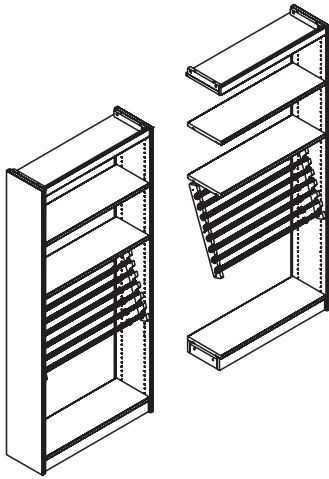


- Single face magazine shelving unit has two (double has four) adjustable sets of sloping, raised edge magazine display shelves with a flat shelf beneath for storing back issues.
- Unit has a full height back and standard top is wood
- * For a continuous plastic laminate top, change "W" in the unit number to "C".

Single Face		
Catalog Number	Unit	Depth
MLW3612SB*	37" W Starter	12"
MLW3612AB*	36" W Adder	12"
Double Face		
Catalog Number	Unit	Depth
MLW3623SB*	37" W Starter	23"
MLW3623AB*	36" W Adder	23"

Wood Library Furniture

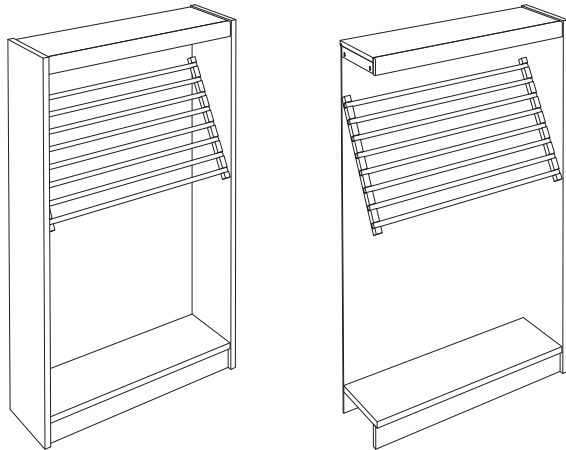
Newspaper Shelving, 82" High



- Single newspaper unit has two (double has four) 1" adjustable shelves over an inclined rack containing eight hardwood newspaper wands (double has two racks)
- Unit has a full height back and standard top is wood
- * For a continuous plastic laminate top, change "W" in the unit number to "C".

Single Face		
Catalog Number	Unit	Depth
NHW3612SB*	37" W Starter	12"
NHW3612AB*	36" W Adder	12"
Double Face		
Catalog Number	Unit	Depth
NHW3623SB*	37" W Starter	23"
NHW3623AB*	36" W Adder	23"

Newspaper Shelving, 60" High

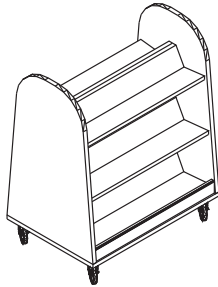


- Single newspaper unit has one inclined rack containing eight hardwood newspaper wands. Double has two racks.
- Unit has a full height back and standard top is wood
- * For a continuous plastic laminate top, change "W" in the unit number to "C".

Single Face		
Catalog Number	Unit	Depth
NMW3612SB*	37" W Starter	12"
NMW3612AB*	36" W Adder	12"
Double Face		
Catalog Number	Unit	Depth
NMW3623SB*	37" W Starter	23"
NMW3623AB*	36" W Adder	23"

Wood Library Furniture

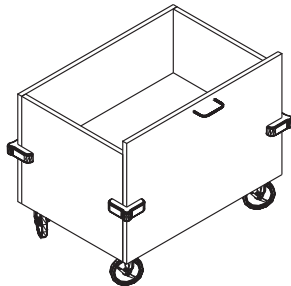
Double Faced Book Truck



- (6) fixed, slanted shelves
- (4) heavy duty casters: (2) rigid, (2) swivel and lock

Catalog Number: CDC36BTD			
Dimensions of Components	Width	Height	Depth
Overall	35 3/4"	42"	24"

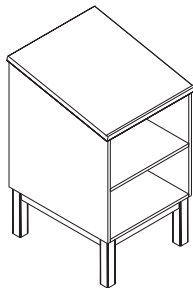
Depressible Book Receiving Truck



- Fits under 39" circulation desk
- The depressible platform is plastic laminated and mounted on a spring mechanism
- Equipped with rubber bumper guards placed midway up each corner
- (4) heavy duty casters: (2) rigid, (2) swivel and lock

Catalog Number: CDC7436			
Dimensions of Components	Width	Height	Depth
Overall	30"	27 3/4"	21"

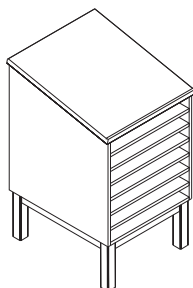
Dictionary Stand



- Sloped top has plastic laminate surface with edge band of solid oak
- Edge band is applied after lamination
- A book retainer is positioned along the bottom edge of the sloped top
- Full height plywood back is recessed into the end panels which are finished with solid oak edge band
- Equipped with (1) adjustable shelf and bottom shelf is fixed
- Stand sits on a table frame base

Catalog Number: CDS1218FB			
Dimensions of Components	Width	Height	Depth
Overall	25"	44 1/2"	29"

Atlas Stand

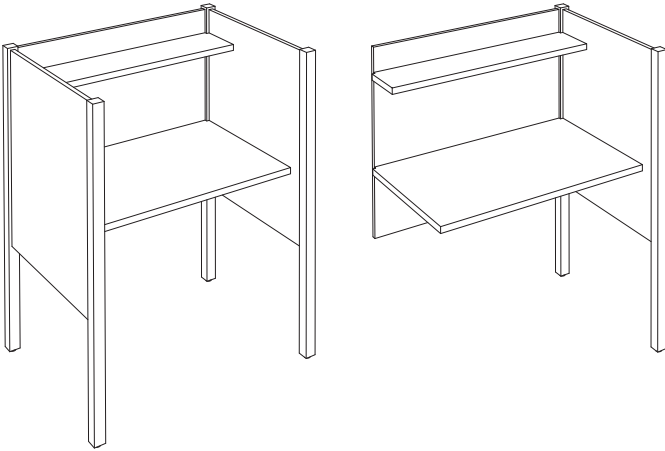


- Sloped top has plastic laminate surface with edge band of solid oak
- Edge band is applied after lamination
- A book retainer is positioned along the bottom edge of the sloped top
- Full height plywood back is recessed into the end panels which are finished with solid oak edge band
- Equipped with (6) pullout shelves on nylon roller slides
- Stops on shelves prevent accidental removal
- Stand sits on a table frame base

Catalog Number: CAS1218FB			
Dimensions of Components	Width	Height	Depth
Overall	25"	44 1/2"	29"

Wood Library Furniture

Study Carrels

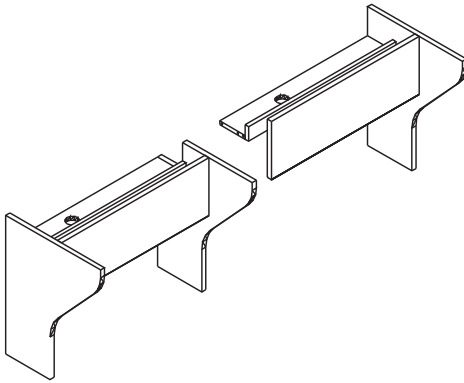


- Post and panel carrels with 1 3/4" solid red oak posts and 3/4" panels edge banded with 1/2" hardwood
- Panels are connected to posts by concealed spring steel clips and shoulder screws
- Top and shelf are 1" plastic laminate with 1/4" hardwood band
- Carrels are 30" deep

48" High		
Catalog Number	Unit	Width
BHL3630S	Starter	38 1/2"
BHL3630A	Adder	36 3/4"
BHL3030S	Starter	32 1/2"
BHL3030A	Added	30 3/4"

45" High		
Catalog Number	Unit	Width
BLL3630S	Starter	38 1/2"
BLL3630A	Adder	36 3/4"
BLL3030S	Starter	32 1/2"
BLL3030A	Added	30 3/4"

Computer Work Stations

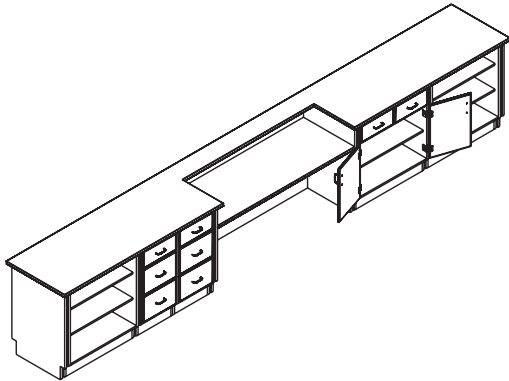


- Work stations are 30" high and 30" deep and have a 1 1/4" thick plastic laminate top, edge banded with 1/2" solid hardwood band
- Each station is equipped with a 2 1/2" grommet
- Stand alone starter units have full end panels; however, when combined with add on units intermediate support panels are notched to create a wiring chase.
- The end unit of the computer work station assembly will have a full, un-notched, end panel

Catalog Number	Unit	Width	Height	Depth
CLC3630S	36" W Starter	37"	30 1/4"	30"
CLC3030S	30" W Starter	31"	30 1/4"	30"
CLC3630A	36" W Adder	36"	30 1/4"	30"
CLC3030A	30" W Adder	30"	30 1/4"	30"

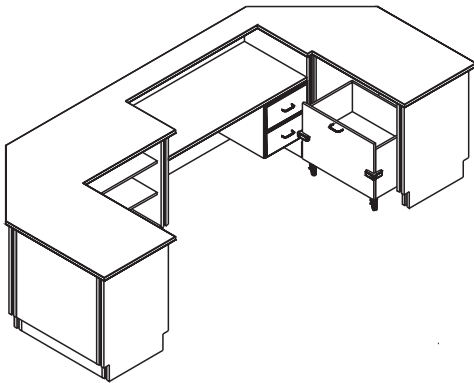
Wood Library Furniture

Straight Line Circulation Desk Assembly



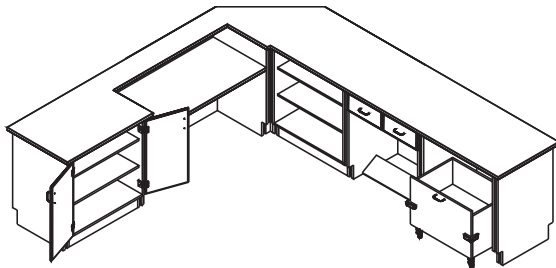
Components Illustrated		
Quantity	Catalog Number	Description
2	CDC1494FB	Shelf Units
2	CDC1430FB	Drawer Units
1	KLC7230N	Desk Work Area
1	CDC1574FB	Drawer and Cupboard Unit

U-Shaped Circulation Desk



Components Illustrated		
Quantity	Catalog Number	Description
1	CDC7436	Book Cart
1	CDC1494BD	Open Unit (for book cart)
1	KLC6030N	Desk Work Area
1	SDM2546FB	Drawer Unit
1	KLC6030N	Desk Work Area
1	CDC1474FB	Shelf Unit
1	KLC3030N	Computer Carrel

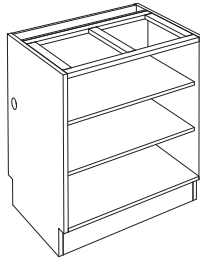
L-Shaped Circulation Desk



Components Illustrated		
Quantity	Catalog Number	Description
1	CDC1506FB	Shelf Cupboard
1	KLC6030N	Desk Work Area
1	CDC1474FB	Shelf Unit
1	KMC3630D	Work Area
1	CDC7436	Book Cart
1	CDC1494BD	Open Unit (for book cart)

Wood Library Furniture

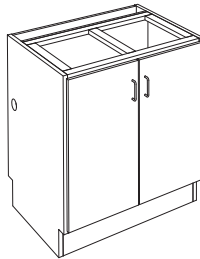
Open Shelf Cabinet



- (2) adjustable shelves

Catalog Number	Width	Height
CDC1204FB	18 1/2"	39"
CDC1206FB	21 1/2"	39"
CDC1494FB	35 3/4"	39"
CDC1496FB	41 3/4"	39"

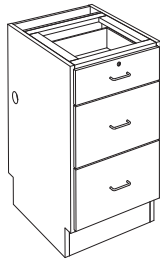
Shelf Cabinet with Doors



- (2) adjustable shelves
- 3/4" thick doors

Catalog Number	Width	Height
CDC1506FB	35 3/4"	39"
CDC1508FB	41 3/4"	39"

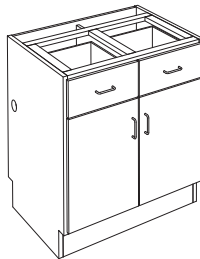
Drawer Cabinet



- (1) locked storage drawer
- (2) file drawers

Catalog Number	Width	Height
CDC1430FB	18 1/2"	39"
CDC1432FB	21 1/2"	39"

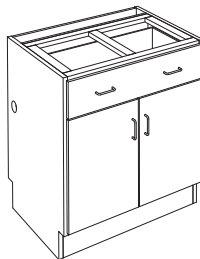
Drawers Over Shelf Cabinet



- (2) drawers
- (1) adjustable shelf
- 3/4" thick doors

Catalog Number	Width	Height
CDC1574FB	35 3/4"	39"
CDC1576FB	41 3/4"	39"

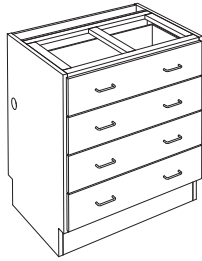
Open Shelf Cabinet



- (1) full-width drawer
- (1) adjustable shelf
- 3/4" thick doors

Catalog Number	Width	Height
CDC1550FB	35 3/4"	39"
CDC1552FB	41 3/4"	39"

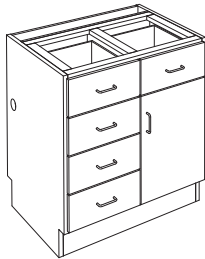
Drawer Cabinet



- (4) full-width storage drawers

Catalog Number	Width	Height
CDC1960FB	35 3/4"	39"
CDC1962FB	41 3/4"	39"

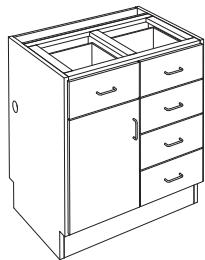
Drawer and Cupboard Cabinet



- (5) drawers
- (1) adjustable shelf in cupboard on right
- 3/4" thick door

Catalog Number	Width	Height
CDC1798FB	35 3/4"	39"
CDC1800FB	41 3/4"	39"

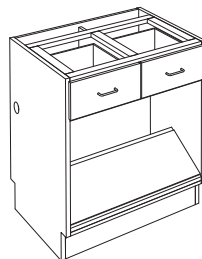
Drawer and Cupboard Cabinet



- (5) drawers
- (1) adjustable shelf in cupboard on left
- 3/4" thick door

Catalog Number	Width	Height
CDC1810FB	35 3/4"	39"
CDC1812FB	41 3/4"	39"

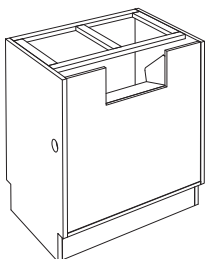
Work Station Cabinet



- (2) drawers
- Footrest with ribbed rubber mat

Catalog Number	Width	Height
KMC3630DDF	35 3/4"	39"

Book Truck Port

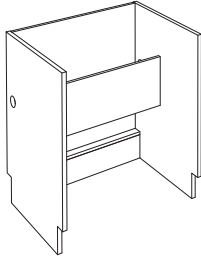


- Book return chute
- Order book truck separately

Catalog Number	Width	Height
CDC1494D	35 3/4"	39"

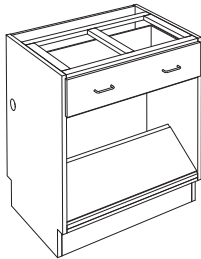
Wood Library Furniture

Open Knee Space Unit



Catalog Number	Width	Height
KMC3630	35 3/4"	39"

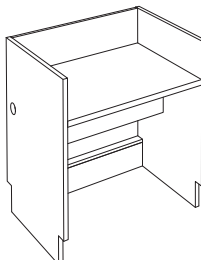
Open Unit with Drawer



- (1) full-width drawer
- Foot rest with ribbed rubber mat

Catalog Number	Width	Height
KMC3630DF	35 3/4"	39"

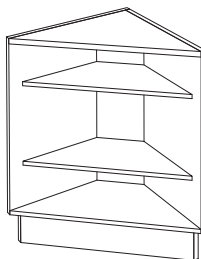
Desk Unit



- 29" H x 27" D fixed work surface with grommet

Catalog Number	Width	Height
KLC3630N	35 3/4"	39"
KLC4230N	41 3/4"	39"
KLC6030N	60"	39"
KLC7230N	72"	39"

90° Open Corner Unit



- Used to form a right-angle in a desk arrangement
- (1) fixed base shelf
- (2) adjustable shelves

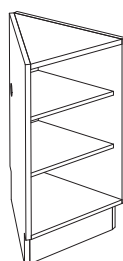
Catalog Number: CDC1496COR

Type	Height
90° Open Corner	39"

Catalog Number: CDC90PCOR

Same as CDC1496COR except with no shelves and a fixed front panel

45° Open Corner Unit



- Used to form a right-angle in a desk arrangement
- (1) fixed base shelf
- (2) adjustable shelves

Catalog Number: CDC1206COR

Type	Height
45° Open Corner	39"

Catalog Number: CDC45PCOR

Same as CDC1206COR except with no shelves and a fixed front panel

Work Desk Assembly

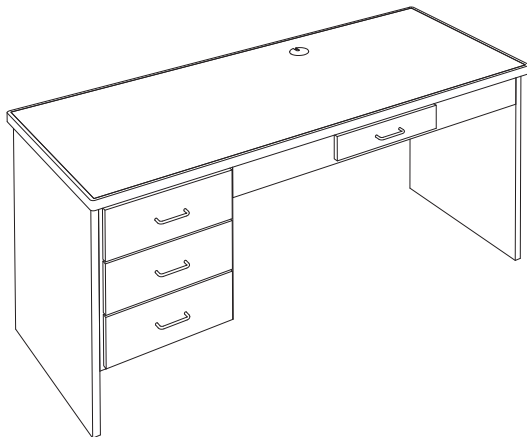


This work desk assembly has two drawer pedestals, one mounted on each side. The left pedestal has a storage drawer over a file drawer, while the right pedestal has three drawers. One centered drawer is mounted in the rail between the two pedestals. Two 3" diameter grommets are located in the work surface. Work surface is 1 1/4" plastic laminate with 1/2" hardwood edge on all four sides.

Assembly Dimensions: 70" W x 30 1/4" H x 30" D

Assembly Catalog Number: WD7030DP
Components Listed Below

Quantity	Catalog Number	Description
2	CDC3030EP	1" thick end panels
1	CDC2506S	(2) drawer pedestal
1	KLC3030A	Knee space with drawer
1	CDC3158S	(3) drawer pedestal
1	CDC70FB	Finished back panel

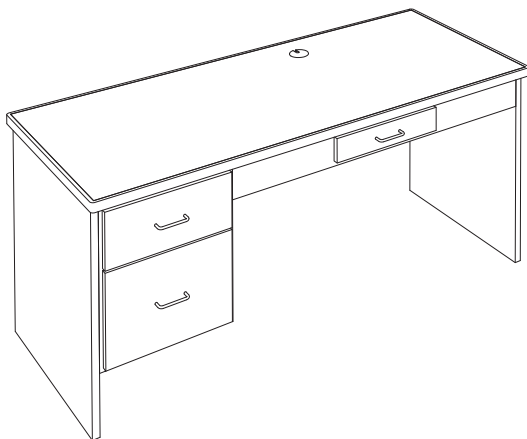


This work desk assembly has one three drawer pedestal mounted on the left side. Two 3" grommets are located on the work surface. Work surface is 1 1/4" plastic laminate with 1/2" hardwood edge on all four sides.

Assembly Dimensions: 70" W x 30 1/4" H x 30" D

Assembly Catalog Number: WD7030SP1
Components Listed Below

Quantity	Catalog Number	Description
2	CDC3030EP	1" thick end panels
1	CDC3158S	(3) drawer pedestal
1	CDC70FB	Finished back panel
1	KLC4830A	Knee space with drawer



This work desk assembly has one storage drawer over file drawer pedestal mounted on the left side. Two 3" grommets are located on the work surface. Work surface is 1 1/4" plastic laminate with 1/2" hardwood edge on all four sides.

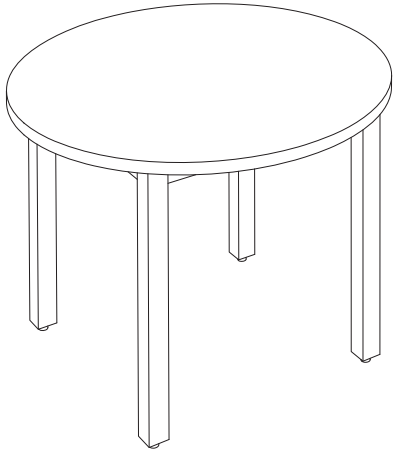
Assembly Dimensions: 70" W x 30 1/4" H x 30" D

Assembly Catalog Number: WD7030SP2
Components Listed Below

Quantity	Catalog Number	Description
2	CDC3030EP	1" thick end panels
1	CDC2506S	2 file drawer pedestals
1	CDC70FB	Finished back panel
1	KLC4830A	Knee space with drawer

Wood Library Furniture

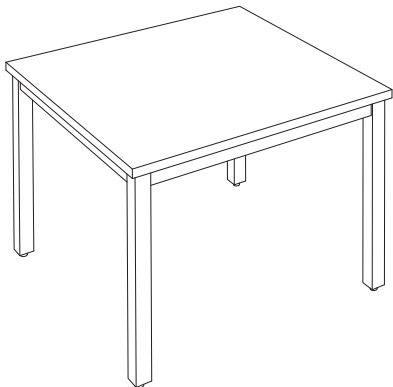
Round Library Table



Tables have apron/rail. To omit apron/rail, change "A" in catalog number to "N".

Catalog Number	Height	Diameter
TLA42	30"	42"
TLA48	30"	48"
TLA60	30"	60"
TEA42	27"	42"
TEA48	27"	48"
TEA60	27"	60"
TKA42	25"	42"
TKA48	25"	48"
TKA60	25"	60"

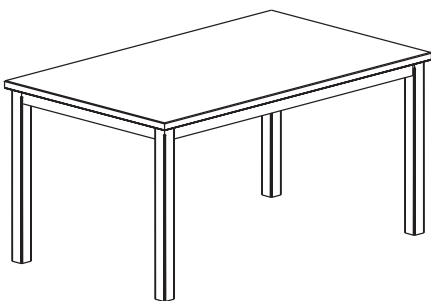
Square Library Table



Tables have apron/rail. To omit apron/rail, change "A" in catalog number to "N".

Catalog Number	Height	Width	Depth
TLA4242	30"	42"	42"
TEA4242	27"	42"	42"
TKA4242	25"	42"	42"
TLA4848	30"	48"	48"
TEA4848	27"	48"	48"
TKA4848	25"	48"	48"

Rectangle Library Table



Tables have apron/rail. To omit apron/rail, change "A" in catalog number to "N".

Catalog Number	Height	Width	Depth
TLA6036	30"	60"	36"
TLA7236	30"	72"	36"
TLA7248	30"	72"	48"
TEA6036	27"	60"	36"
TEA7236	27"	72"	36"
TEA7248	27"	72"	48"
TKA6036	25"	60"	36"
TKA7236	25"	72"	36"
TKA7248	25"	72"	48"

Customized Seating

Select from thousands of seating options, including chairs specifically designed for an educational environment. Select height, materials, features and colors that are most appropriate for your specific tasks or environment. Ergonomics are critical, so our chairs and stools are designed to allow user to make adjustments to seats and backs and to add arms and foot rings where appropriate to provide optimal comfort and support.

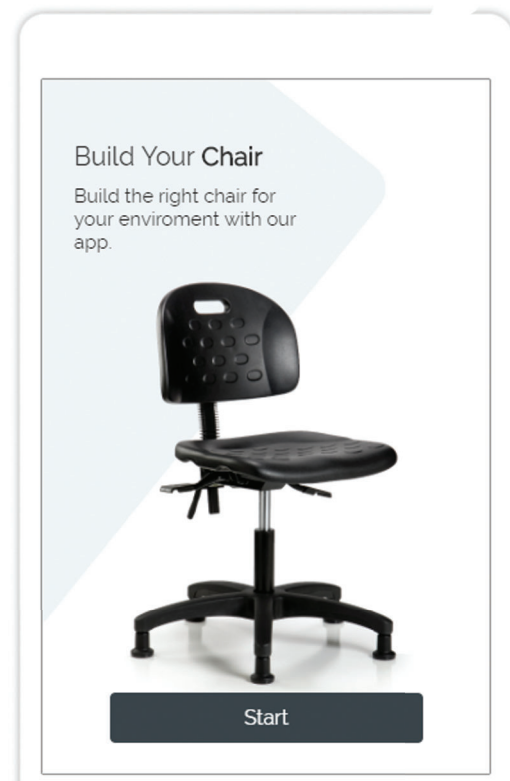
In the following pages, we have provided examples of our popular seating options for education. Any of these can be customized. Please use the link below to create a seating option that will work for you.



Visit our chair configurator

[SEATING.ICISCIENTIFIC.COM](https://seating.iciscientific.com)

Build the seating solution that is right for you



Seating

Wood Chair

Our ergonomic wood chairs are durable, making them ideal for almost any environment. Our wood chairs are constructed with seven-ply furniture grade hardwood. These medium bench height chairs feature your choice of black rolling casters or black glides on a nylon reinforced fiberglass base. Optional foot rings are available in 18 1/4" diameter black nylon reinforced fiberglass or 20" diameter chrome. Each chair is backed by our 15 year warranty, lifetime on the pneumatic lift.



Sample Catalog Number: WMBCH-RG-BF-RC	
Specifications	
Pneumatic Adjustment	18" - 25.5"
Seat Dimensions	17.25" W x 15.5" D x .5" thick
Back Dimensions	15.5" W x 10" D x .5" thick
Footring	18.25" diameter black-durable nylon reinforced fiberglass
Color	Blonde Wood
Seat Material	Seven-ply furniture grade hardwood with natural finish
Feet	Black dual-wheel, self-braking, non-marring casters (suitable for both hard and carpeted floors)
Base Dimensions	24" W x 24" D
Weight Capacity	300 lbs.

Polyurethane Tractor Sit-Stand Stool

Our ergonomic polyurethane tractor stools feature your choice of black rolling, non-marring casters or black, non-marring bell glides on a nylon-reinforced fiberglass base. Our rugged polyurethane round seat is self-skinning, chemical and puncture resistant and fully washable. Optional foot rings are available in 18 1/4" diameter, black nylon reinforced fiberglass or 18" diameter chrome. Each stool is backed by our 15 year warranty, lifetime on the pneumatic cylinder.



Sample Catalog Number: PTMBSO-RG-CF-RG-BLU	
Specifications	
Pneumatic Adjustment	19" - 26.5"
Seat Dimensions	17" W x 14" D x 2.5" thick
Footring	18" Diameter round tube
Color	Blue
Seat Material	Rugged polyurethane that is self-skinning, chemical and puncture resistant, easily cleaned and soil resistant
Feet	Black non-marring bell glides (suitable for both hard and carpeted floors)
Base	Nylon Reinforced Fiberglass Base
Base Dimensions	25" W x 25" D
Weight Capacity	300 lbs.

Polyurethane Chair

Our ergonomic polyurethane chairs adjust to fit most body types and workstations. Optional 6-way adjustable arm rests support a variety of arm placements for proper ergonomics. Our polyurethane chairs are easily cleaned, making them ideal for almost any environment. Choose from black rolling, non-marring casters or black, non-marring bell glides on a nylon reinforced fiberglass base. Optional seat tilt provides 8° forward and 3° backward locking tilt for ergonomic posture support. Optional foot rings are available in 18 1/4" diameter black nylon reinforced fiberglass or 20" diameter chrome. Each chair is backed by our 15 year warranty, lifetime on the pneumatic lift.



Sample Catalog Number: PMBCH-MB-RG-T1-A0-BF-RC-BLK	
Specifications	
Pneumatic Adjustment	19.25" - 26.75"
Seat Dimensions	16" W x 17" D x 1.5" thick
Back Dimensions	15.5" W x 15" D x 1" thick
Footring	18.25" diameter black-durable nylon reinforced fiberglass
Color	Black
Seat Material	Rugged polyurethane that is self-skinning, chemical and puncture resistant, easily cleaned and soil resistant
Tilt	8° forward and 3° backward seat tilt locks in place
Feet	Black dual-wheel, self-braking, non-marring casters (suitable for both hard and carpeted floors)
Base	Nylon Reinforced Fiberglass Base
Base Dimensions	24" W x 24" D
Weight Capacity	300 lbs.

Seating

Vinyl Chair

Our ergonomic vinyl upholstered chairs adjust to fit most body types and workstations. Optional 6-way adjustable arm rests support a variety of arm placements for proper ergonomics. Additional ergonomic benefits include a contoured waterfall seat cushion and an adjustable back rest with lumbar support for increased comfort during extended sitting durations. Vinyl chairs are constructed of highly durable molded polyurethane foam cushioning covered with easily cleaned antibacterial vinyl available in a myriad of colors. Optional seat tilt provides 8° forward and 3° backward locking tilt for ergonomic posture support. Optional 20" diameter chrome foot rings are available. These medium bench height chairs features your choice of chrome-hooded casters or black glides on a polished cast aluminum base. Each ergonomic chair is backed by our 15 year warranty, lifetime on the pneumatic lift.



Sample Catalog Number: VMBCH-CR-T1-A0-CF-CC-8540	
Specifications	
Pneumatic Adjustment	21.5" - 29"
Seat Dimensions	18.5" W x 17" D x 2.5" thick
Back Dimensions	16.5" W x 11.5" D x 2.5" thick
Footring	20" diameter round tube chrome foot ring with internal lock
Color	Black
Seat Material	Trailblazer™ Vinyl: Highly durable molded polyurethane foam cushioning covered with vinyl
Tilt	8° forward and 3° backward seat tilt locks in place
Feet	Chrome-hooded dual-wheel, self-braking, non-marring casters (suitable for both hard and carpeted floors)
Base	Polished Cast Aluminum Base
Base Dimensions	24" W x 24" D
Weight Capacity	300 lbs.